

THIS DRAWING IS UNPUBLISHED.

RELEASED FOR PUBLICATION

20

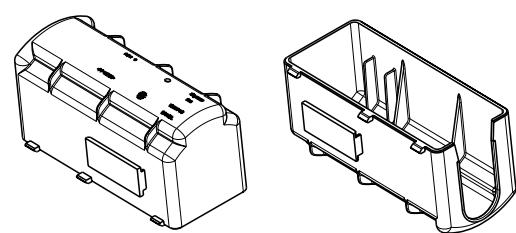
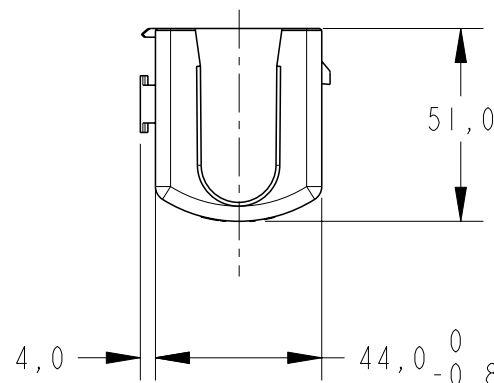
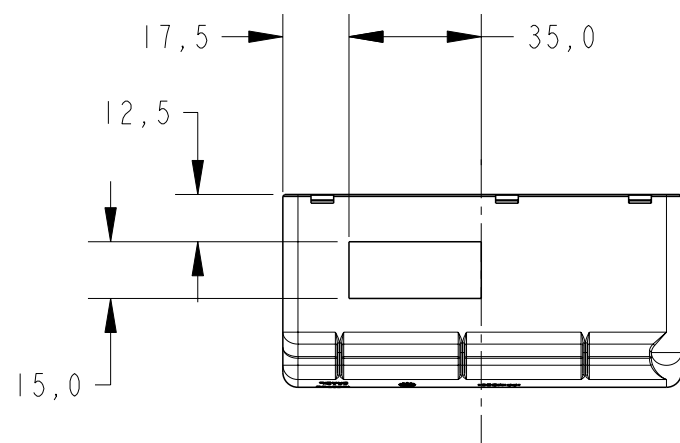
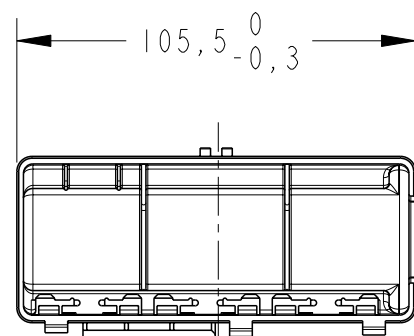
© COPYRIGHT 20

ALL RIGHTS RESERVED.

LOC AP DIST -

REVISIONS

| P | LTR | DESCRIPTION | DATE | DWN | APVD |
|---|-----|---------------------------|-----------|-----|------|
| | A | RELEASED BY RSA 12/090-01 | 21SEP2012 | PP | MLO |



PERSPECTIVE VIEW
SCALE 1:2

| GRAVAÇÕES MARKINGS |
|---|
| LOGOTIPO TE TE LOGO |
| CÓDIGO PAÍS PRODUTOR MANUFACTURER COUNTRY CODE |
| NOMENCLATURA MATERIAL MATERIAL NOMENCLATURE |
| NÚMERO COMPONENTE TE TE COMPONENT NUMBER |
| NÚMERO CAVIDADE CAVITY NUMBER |
| CÓDIGO DATADOR MÊS/ANO DATE CODE MONTH/YEAR |
| PAÍS PRODUTOR MANUFACTURER COUNTRY |
| REV+ LETRA REV.DA PEÇA REV.+ PART REV.LETTER |

| | | | |
|---------------|------------------------|----------|-------------|
| — | PRETO / BLACK RAL 9011 | PP+20%MD | 1599745-2 |
| RAW MAT'L No. | FINISH | MATERIAL | PART NUMBER |

| | | | | |
|--|--|---------------------------------------|-----------------|----------------------|
| THIS DRAWING IS A CONTROLLED DOCUMENT. | | DWN P. PULGROSSI 21SEP2012 | TE Connectivity | |
| DIMENSIONS: mm | | CHK J. R. GOLDSCHMIDT 21SEP2012 | | |
| TOLERANCES UNLESS OTHERWISE SPECIFIED: | | APVD M. L. OGAWA 21SEP2012 | NAME - | |
| 0 PLC ±- | | PRODUCT SPEC | - | |
| 1 PLC ±0,3 | | APPLICATION SPEC | - | |
| 2 PLC ±- | | WEIGHT | - | |
| 3 PLC ±- | | CUSTOMER DRAWING | - | |
| 4 PLC ±- | | SCALE 1:2 | RESTRICTED TO | |
| ANGLES ±- | | SIZE A3 | CAGE CODE 00779 | DRAWING NO C-1599745 |
| FINISH - | | SHEET 1 OF 1 | | REV A |