

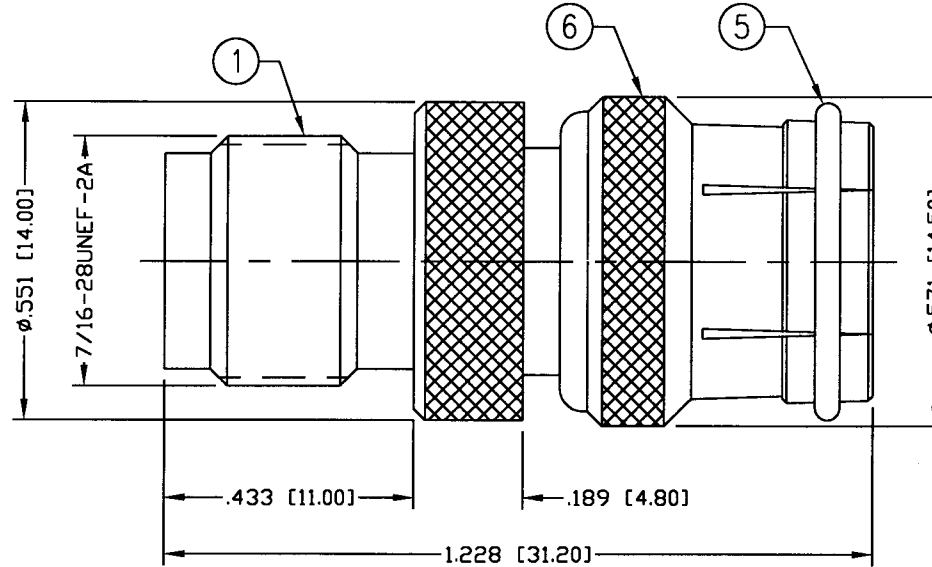
THIS DRAWING CONTAINS INFORMATION PROPRIETARY TO RF INDUSTRIES.
 ANY UNAUTHORIZED USE OF THIS DRAWING IS EXPRESSLY PROHIBITED
 WITHOUT WRITTEN PERMISSION FROM RF INDUSTRIES.
 ANY VIOLATION IS PUNISHABLE UNDER U.S. COPYRIGHT LAWS.

ALL DIMENSIONS ARE REFERENCE ONLY

PART NO.

RFT-1242

REV	DESCRIPTION	DWN	DATE	APPROVED
-	ENGINEERING RELEASE	CZS	6/19/01	JDMc



SPECIFICATIONS:

IMPEDANCE: 50 Ohms
 FREQUENCY RANGE: 0-7 GHz
 WORKING VOLTAGE: 500 V rms Max. @ Sea Level
 INSULATION RESISTANCE: 5k M Ohms min.
 TEMPERATURE RANGE: -65°C TO 165°C

1	BODY	1	BRASS	NICKEL, 100μ"
2	PIN	1	BRASS	GOLD, 3μ"
3	INSULATOR	1	PTFE	---
4	INSULATOR	1	PTFE	---
5	RETAINING RING	1	SK-5	NICKEL, 100μ"
6	SHELL	1	BRASS	NICKEL, 100μ"
7				
8				
9				
10				
11				
12				
13				
14				
#	DESCRIPTION	QTY	MATERIAL	FINISH

000486	
DRAWN	2/25/03
C. ZUNIGA	
CHECKED	
ORJ DRAWN	2/25/03
C. ZUNIGA	
APPROVALS	DATE

UNLESS OTHERWISE SPECIFIED:

- REMOVE ALL BURRS
- BREAK ALL CORNERS & EDGES .005 R. MAX.
- CHAMFER 1ST & LAST THREADS 45°
- SURFACE ROUGHNESS 63 FINISH MIL-STD-10
- DIAMETERS ON COMMON CENTERS TO BE CONCENTRIC WITHIN .002 T.I.R.
- ALL DIMENSIONS ARE AFTER PLATING.

DIMENSIONS ARE IN INCHES AND [MILLIMETERS]
 UNLESS OTHERWISE NOTED TOLERANCES ARE:

DECIMALS	DIAMETER
.xxx±.003 [.08]	.xxx±.001 [.03]
.xx±.005 [.13]	.xx±.003 [.08]

RF

7610 MIRAMAR RD
 SAN DIEGO, CA 92126
 (858) 549-6340
 (858) 549-6345 FAX

DIVISION OF RF INDUSTRIES, LTD.

TNC JACK TO TNC PLUG QUICK DISCONNECT

SIZE A	CABLE GROUP N/A	DWG NO. RFT-1242	REV ---
SCALE: NTS		CAD FILE OUTLINE	SHEET 1 OF 1