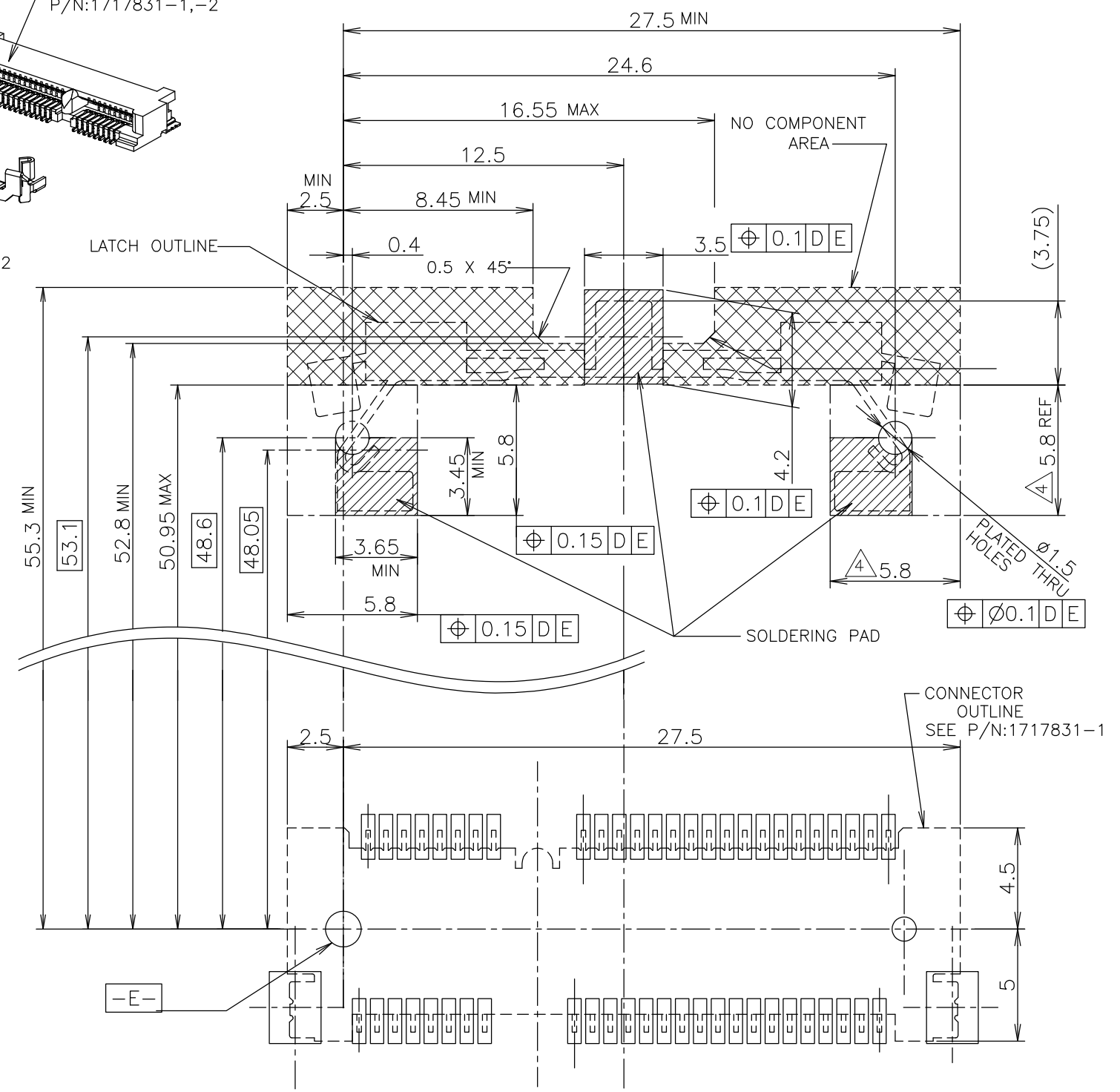
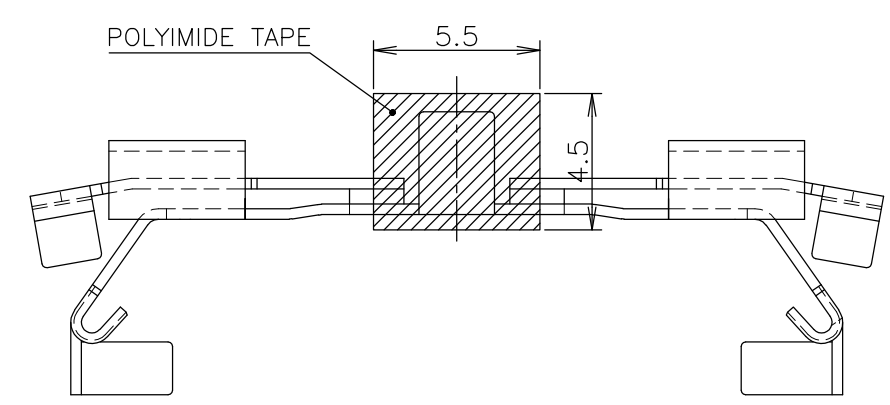
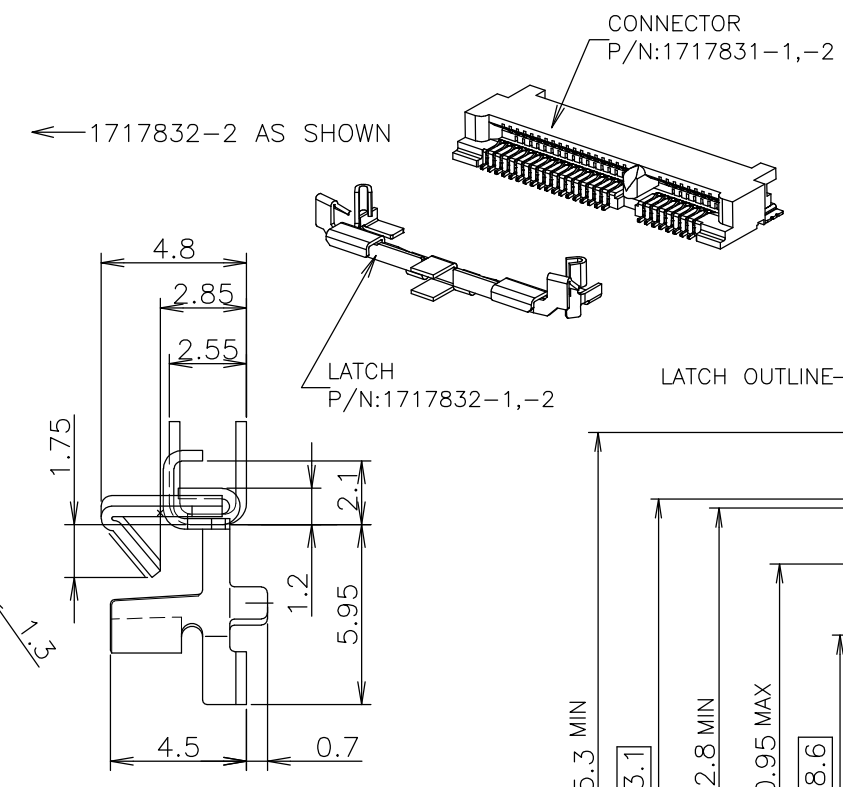
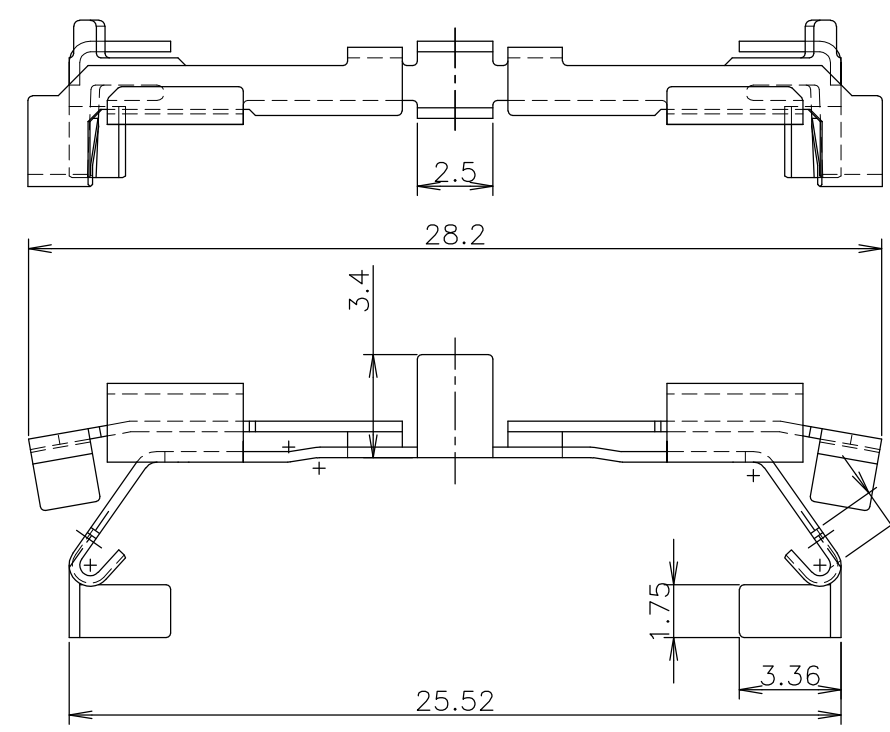


THIS DRAWING IS UNPUBLISHED. RELEASED FOR PUBLICATION OCT ,2003.
 © COPYRIGHT 2003 By - ALL RIGHTS RESERVED.

LOC	DIST	REVISIONS			
P	LTR	DESCRIPTION	DATE	DWN	APVD
J					
E		ECR-14-001999	11FEB2014	W.W	C.W



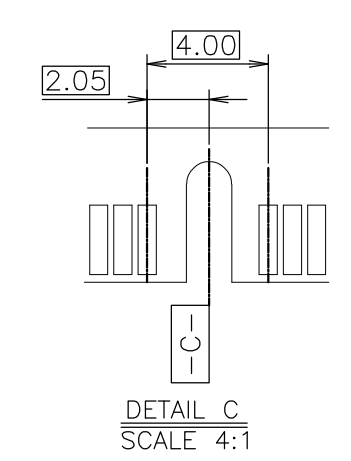
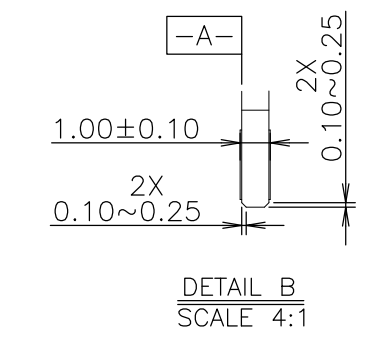
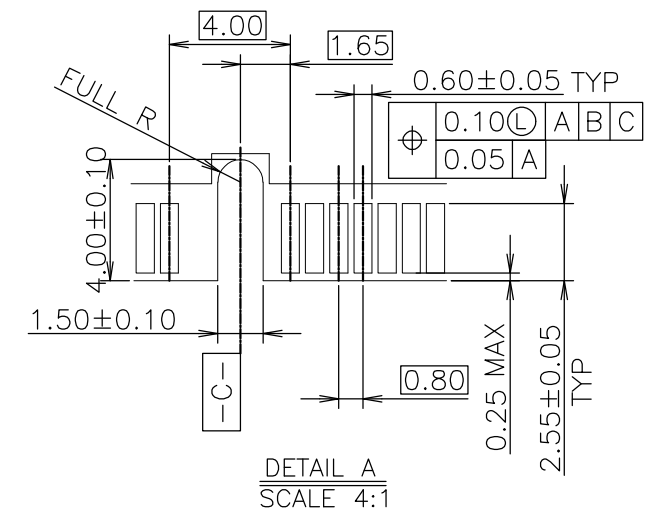
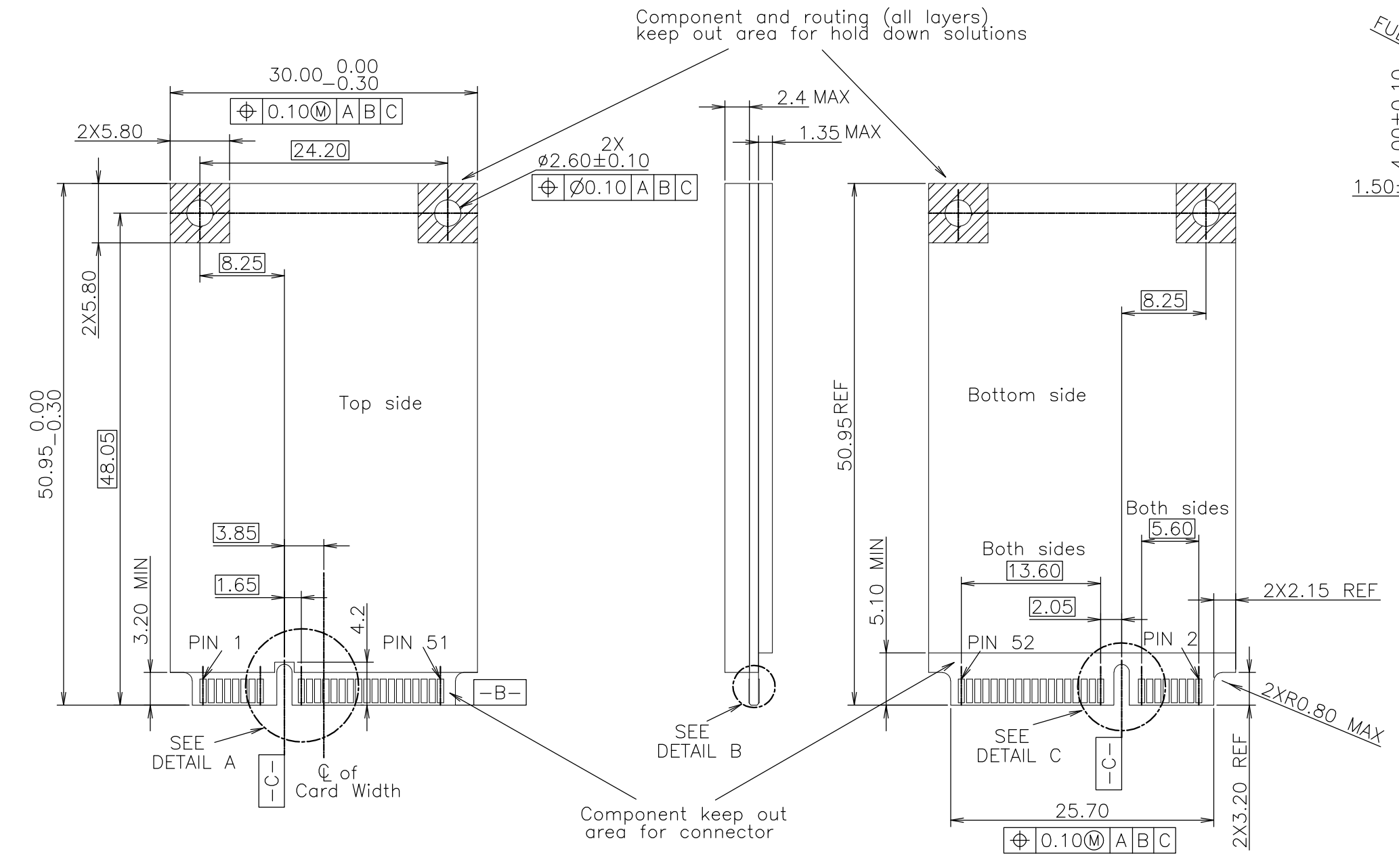
NOTE
 1. MATERIAL : COPPER ALLOY
 2. FINISH : TIN PLATING ALL OVER NICKEL
 3. [D] IS THE TOP SURFACE OF PCB.
 4. COMPONENT KEEP OUT AREA BASED ON MINI PCI EXPRESS SPECIFICATION 1.0 CANDIDATE DRAFT (v1)

TOLERANCES UNLESS OTHERWISE SPECIFIED	
10 ≥	±0.2
30 ≥ >10	±0.25
100 ≥ >10	±0.3
ANGLES : ±3°	

THIS DRAWING IS A CONTROLLED DOCUMENT.		DWN	J.TANIGAWA	100CT03	 TE Connectivity													
DIMENSIONS: MM		CHK	Y.YAMAMOTO	100CT03														
TOLERANCES UNLESS OTHERWISE SPECIFIED:		APVD	Y.YAMAMOTO	100CT03														
<table border="1"> <tr><td>0 PLC</td><td>±</td></tr> <tr><td>1 PLC</td><td>±</td></tr> <tr><td>2 PLC</td><td>±</td></tr> <tr><td>3 PLC</td><td>±</td></tr> <tr><td>4 PLC</td><td>±</td></tr> <tr><td>ANGLES</td><td>±</td></tr> <tr><td>FINISH</td><td>±</td></tr> </table>		0 PLC	±	1 PLC		±	2 PLC	±	3 PLC	±	4 PLC	±	ANGLES	±	FINISH	±	NAME	SEMI HARD TRAY & EMBOSS TAPE SUPPLY MINI PCI EXPRESS CONNECTOR LATCH
0 PLC	±																	
1 PLC	±																	
2 PLC	±																	
3 PLC	±																	
4 PLC	±																	
ANGLES	±																	
FINISH	±																	
MATERIAL: SEE NOTE		PRODUCT SPEC	108-5899		SIZE	A3	CAGE CODE	00779	DRAWING NO	C-1717832	RESTRICTED TO							
TOLERANCES UNLESS OTHERWISE SPECIFIED		APPLICATION SPEC	108-5899		WEIGHT	0.6g		SCALE	4:1		SHEET	1 OF 4	REV	E				
MATERIAL: SEE NOTE		CUSTOMER DRAWING		SCALE		4:1		SHEET		1 OF 4		REV		E				

THIS DRAWING IS UNPUBLISHED. RELEASED FOR PUBLICATION OCT ,2003.
 © COPYRIGHT 2003 By - ALL RIGHTS RESERVED.

LOC	DIST	REVISIONS			
P	LTR	DESCRIPTION	DATE	DWN	APVD
J		SEE SHEET 1	-	-	-



NOTES
 1. PCI EXPRESS MINI CARD, PCB THICKNESS 1.0MM.
 2. CARD THICKNESS APPLIES ACROSS TABS AND INCLUDES PLATING AND/OR METALIZATION.
 3. BEVEL MUST BE FREE OF CUTTING BURRS.

THIS DRAWING IS A CONTROLLED DOCUMENT.		DWN		STE TE Connectivity	
DIMENSIONS: MM		CHK			
TOLERANCES UNLESS OTHERWISE SPECIFIED:		APVD		NAME	
0 PLC ±		PRODUCT SPEC		SEMI HARD TRAY & EMBOSS TAPE SUPPLY	
1 PLC ±		108-5899		MINI PCI EXPRESS CONNECTOR LATCH	
2 PLC ±		APPLICATION SPEC		SIZE	
3 PLC ±		WEIGHT		CAGE CODE	
4 PLC ±		CUSTOMER DRAWING		DRAWING NO	
ANGLES ±		SCALE 2:1		SHEET 2 OF 4	
FINISH		RESTRICTED TO		REV E	

4

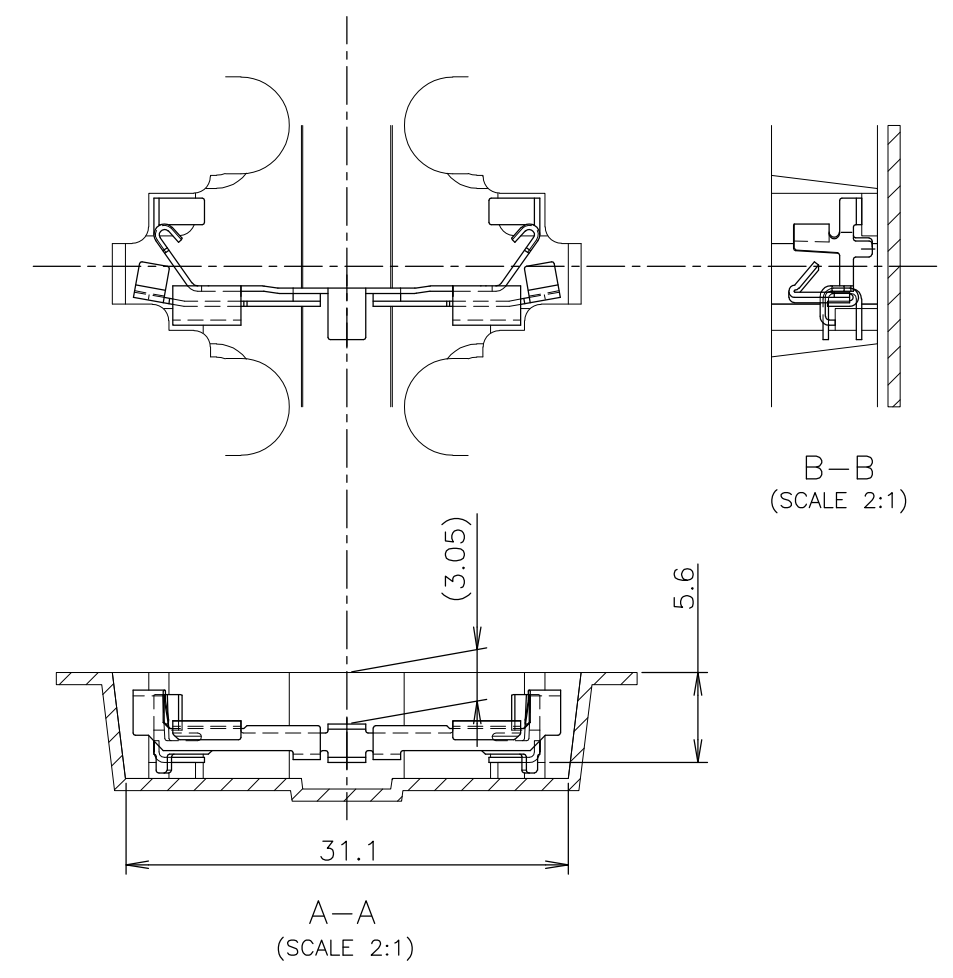
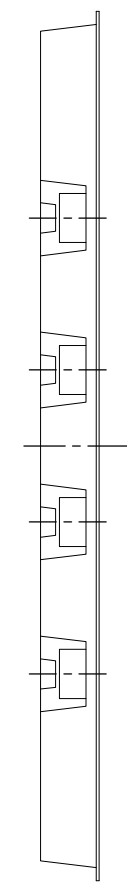
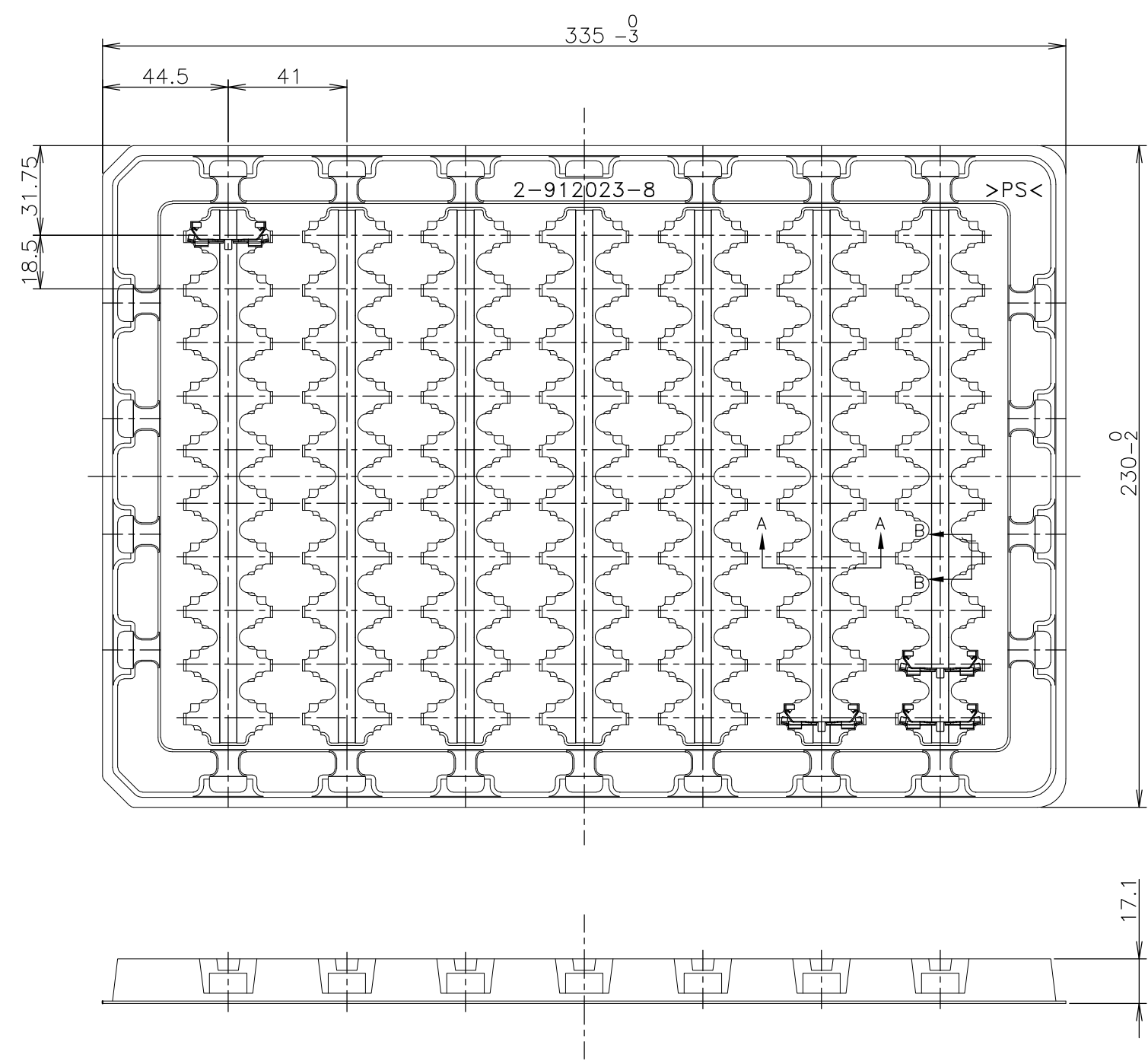
3

2

1

THIS DRAWING IS UNPUBLISHED. RELEASED FOR PUBLICATION OCT , 2003.
 © COPYRIGHT 2003 By - ALL RIGHTS RESERVED.

LOC	DIST	REVISIONS			
P	LTR	DESCRIPTION	DATE	DWN	APVD
J	/	SEE SHEET 1	-	-	-



NOTE
 1. THE DIRECTION OF EACH LATCH ON A TRAY IS REFERRED TO THIS DWG.

70EA/TRAY	2-912023-8	1717832-1
QTY	TRAY P/N	P/N

THIS DRAWING IS A CONTROLLED DOCUMENT.		DWN	TE Connectivity NAME SEMI HARD TRAY & EMBOSS TAPE SUPPLY MINI PCI EXPRESS CONNECTOR LATCH				
DIMENSIONS: MM		CHK					
TOLERANCES UNLESS OTHERWISE SPECIFIED:		APVD					
0 PLC ± 1 PLC ± 2 PLC ± 3 PLC ± 4 PLC ± ANGLES ± FINISH ±		PRODUCT SPEC 108-5899					
TOLERANCES UNLESS OTHERWISE SPECIFIED ±0.5		MATERIAL	APPLICATION SPEC	SIZE	CAGE CODE	DRAWING NO	RESTRICTED TO
			WEIGHT	A3	00779	C-1717832	
CUSTOMER DRAWING			SCALE	NTS	SHEET	3 OF 4	REV E

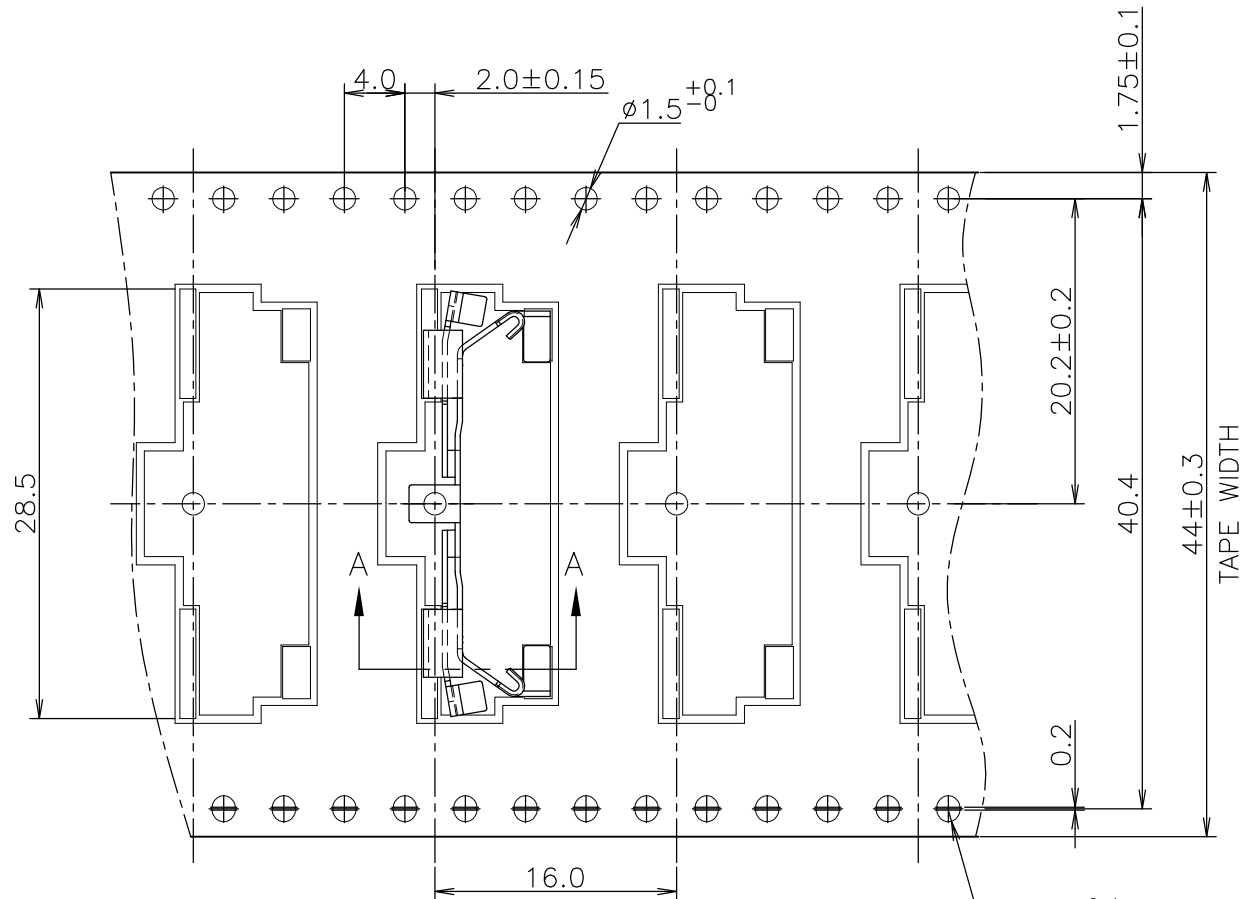
THIS DRAWING IS UNPUBLISHED.

RELEASED FOR PUBLICATION OCT ,2003.

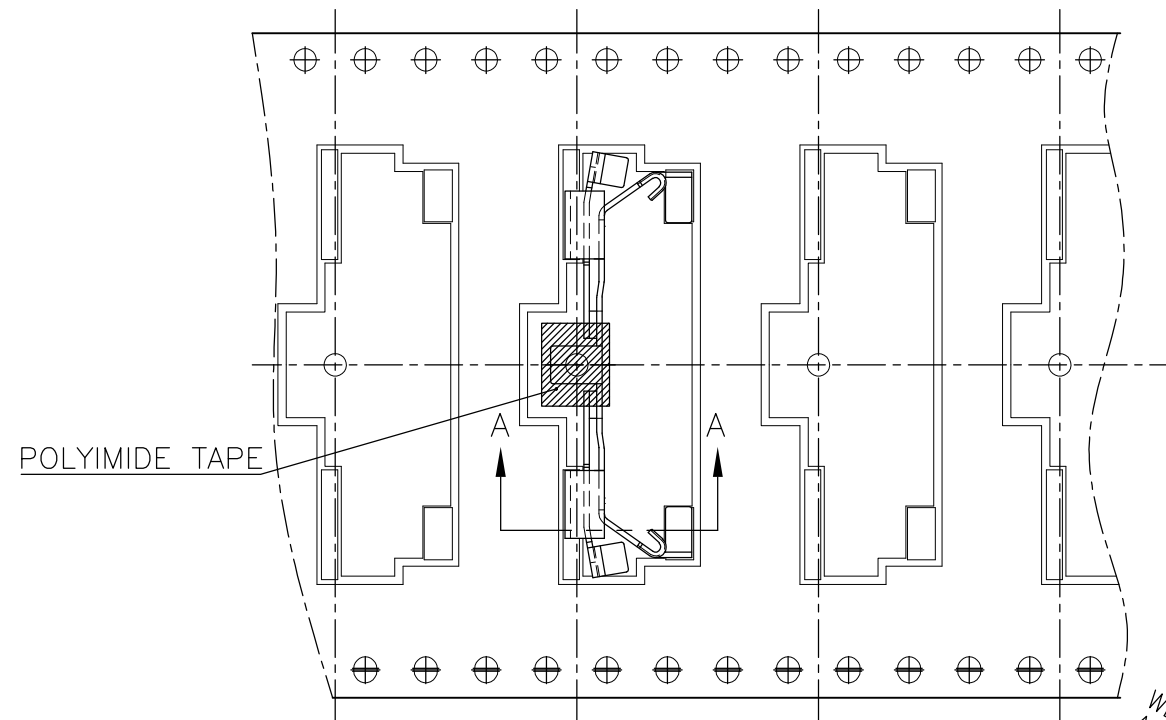
© COPYRIGHT 2003 By -

ALL RIGHTS RESERVED.

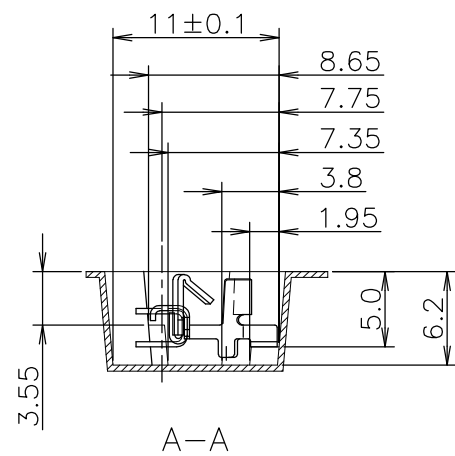
LOC	DIST	REVISIONS			
P	LTR	DESCRIPTION	DATE	DWN	APVD
J		SEE SHEET 1	-	-	-



1717832-2 AS SHOWN

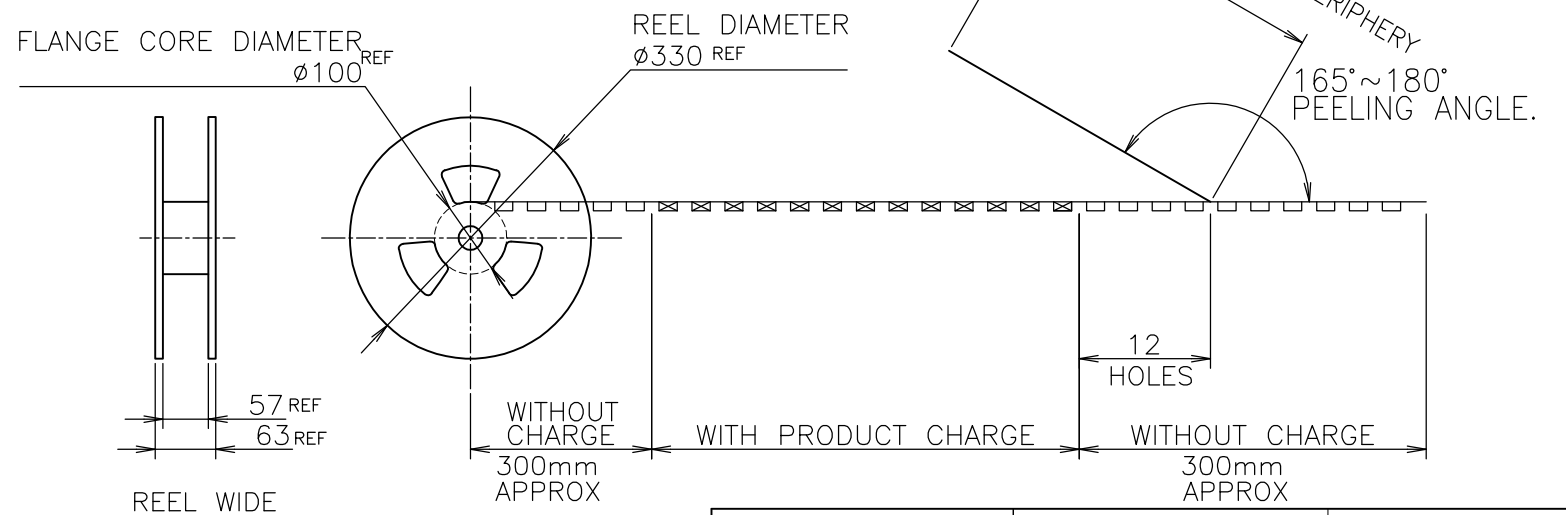


1717832-3 AS SHOWN



A-A

TOP OF REEL →



1 PEELING RESISTANCE : 0.1N~1.3N
 (10gf~130gf)
 SPEED : 300mm/min

500EA	6-912103-0	1717832-3
500EA	6-912103-0	1717832-2
QTY/REEL	EMBOSS TAPE P/N	P/N

THIS DRAWING IS A CONTROLLED DOCUMENT.		DWN	TE Connectivity					
DIMENSIONS: MM		CHK				NAME		
TOLERANCES UNLESS OTHERWISE SPECIFIED:		APVD				SEMI HARD TRAY & EMBOSS TAPE SUPPLY MINI PCI EXPRESS CONNECTOR LATCH		
0 PLC ± 1 PLC ± 2 PLC ± 3 PLC ± 4 PLC ± ANGLES ±		PRODUCT SPEC				108-5899		
MATERIAL		FINISH	APPLICATION SPEC	SIZE	CAGE CODE	DRAWING NO	RESTRICTED TO	
			WEIGHT	A3	00779	C-1717832	-	
CUSTOMER DRAWING			SCALE	2:1	SHEET	4 OF 4	REV E	