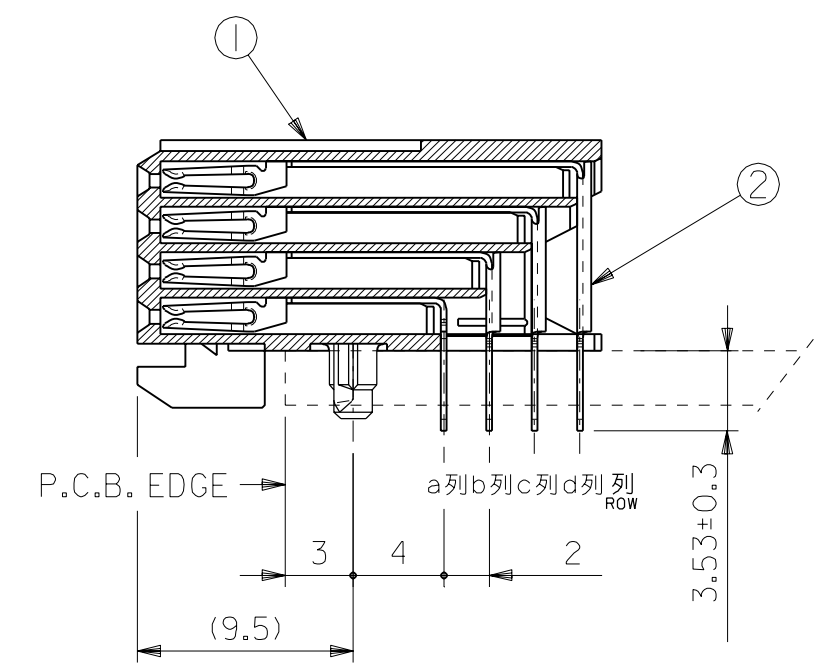
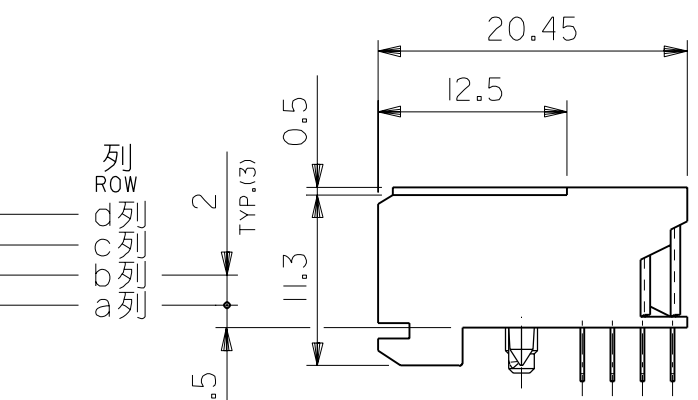
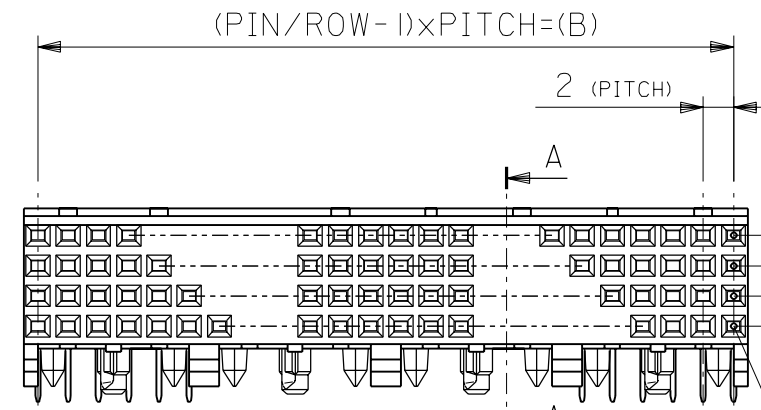
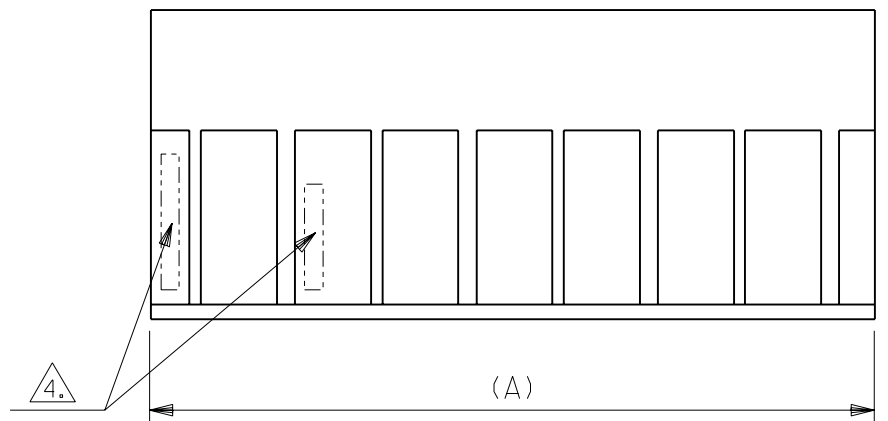
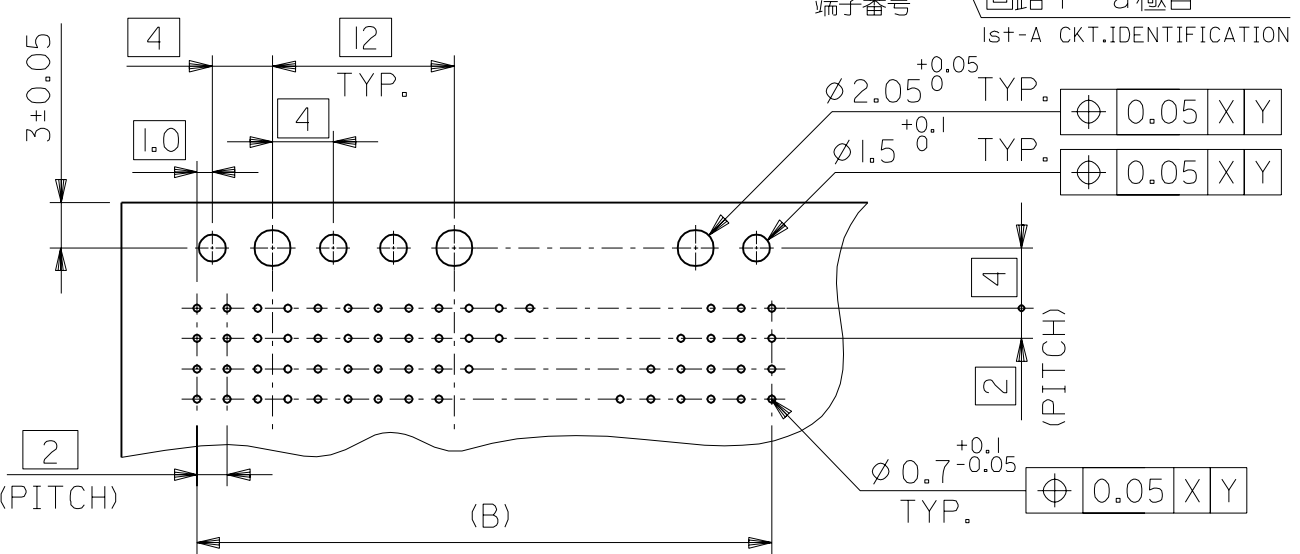


DWG. NO.
SD-54867-003

番号 No.	部品 PART NAME	材質 MATERIAL	仕上げ FINISH
①	リセプタクル ハウジング RECEPTACLE HOUSING	液晶ポリマー、ガラス充填、自然色(白)、UL94V-0 LIQUID CRYSTAL POLYMER, GLASS FILLED, NATURAL(WHITE), UL94V-0	—#—
②	リセプタクル ターミナル RECEPTACLE TERMINAL	リン青銅 PHOSPHOR BRONZE	△1.



A-A
(NON-SCALE)



RECOMMENDED P.C.B. LAYOUT (COMPONENT SIDE)

- 注記
NOTE :
- △1. ターミナル めっき仕様
TERMINAL PLATING
 金めっき: 0.76 μm MIN. (接点部)
 GOLD: 0.76 μm MIN. (CONTACT AREA)
 半田めっき: 1.0 μm MIN. (半田付け部)
 TIN-LEAD: 1.0 μm MIN. (SOLDER AREA)
 ニッケルメッキ: 2.0 μm MIN. (下地めっき)
 NICKEL: 2.0 μm MIN. (UNDER PLATING)
 - 2. 推奨基板厚: t=2.4mm
RECOMMENDED P.C.B. THICKNESS :
 - 3. 適合プラグ: 53901-***5, 55222-***5, 55089-***5
APPLICABLE PLUG :
 - △4. 製品番号及びロットナンバー
MATERIAL NO. & LOT NO.

94	95.98	54867-1921	192
46	47.98	54867-0961	96
22	23.98	54867-0481	48
10	11.98	54867-0241	24
B	A	MATERIAL NO.	PIN

DO NOT SCALE DRAWING

DRAWING INFORMATION				MATERIAL		GENERAL TOLERANCES:		SCALE		DESIGN UNITS		PROJECTION		DIMENSIONS:		SHT		REV											
REV	DESCRIPTION	FINISH	WIRE RANGE	INS. RANGE	材料	仕上げ	適用電線範囲	被覆外径	10 未満	±0.2	10 以上 30 未満	±0.25	30 以上	±0.3	mm	INCH	mm	INCH	mm ONLY	2D	3D	1	2	3	4	5	6	7	8
A	RELEASED JD2001-0339 S.HOSHIKAWA '00/09/04 A.NODA H.IKESUGI	—#—	—#—	—#—	—#—	—#—	—#—	—#—	—#—	—#—	—#—	—#—	—#—	—#—	mm	INCH	mm	INCH	mm ONLY	2D	3D	1	2	3	4	5	6	7	8
										DRAWN BY & DATE S. Hoshikawa		CHECKED BY & DATE A. Noda		APPROVED BY & DATE H. Ikesugi		CAD FILENAME SD-54867-003.S01		MATERIAL NO. SEE TABLE		DRAWING NO. SD-54867-003		SHEET NO. 1 OF 1		SIZE B					
										TITLE: "MFB" B/B CONN. (FB+) REC. ASS'Y 4ROWS DIP										MOLEX INCORPORATED									
										MODEL NO.: 54867-***1										DRAWING NO. SD-54867-003									
										DRAWN BY & DATE										MATERIAL NO. SEE TABLE									
										CHECKED BY & DATE										DRAWING NO. SD-54867-003									
										APPROVED BY & DATE										SHEET NO. 1 OF 1									
										CAD FILENAME SD-54867-003.S01										SIZE B									
										THIS DRAWING CONTAINS INFORMATION THAT IS PROPRIETARY TO MOLEX INCORPORATED AND SHOULD NOT BE USED WITHOUT WRITTEN PERMISSION.										EN-02J(097) MXJ-54									

SD-54867-003.S01