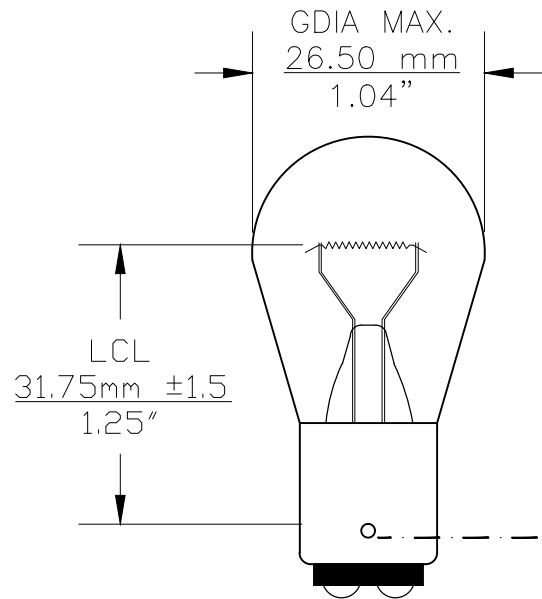


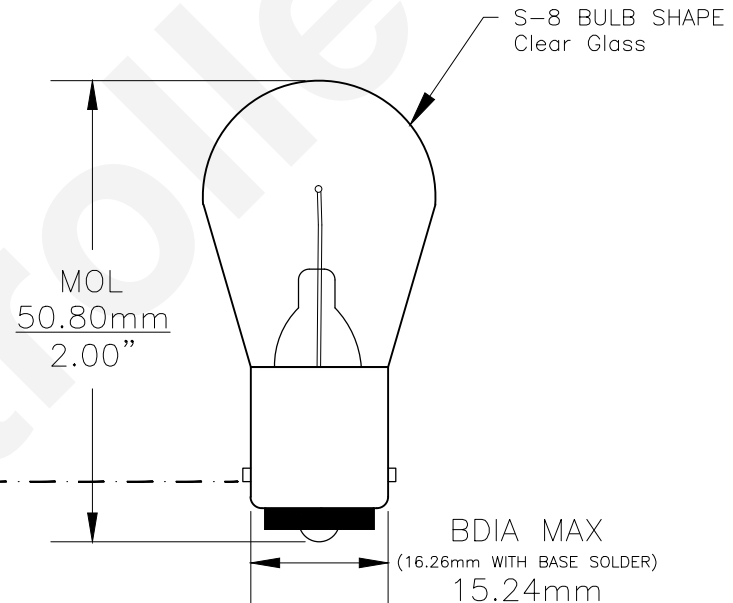


PART NO.	BASE TYPE	DESIGN VOLTS	DESIGN AMPS	MSCD	FILAMENT TYPE	AVERAGE LIFE HOURS
1076	D.C. BAYONET (BA15d)	12.8V	1.8±10%	32±15%	C-6	200

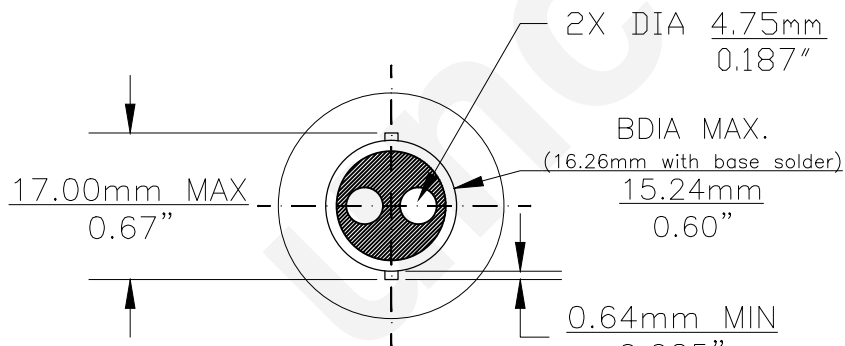
REVISIONS			
REV #	DESCRIPTION	DATE	APPROVED
1	ISSUED	04/13/2001	E.S.
2	ADDITIONAL DIMENSIONS	10/03/2007	D.C.



0° VIEW



90° VIEW



BASE BOTTOM VIEW



Note: Made according to SAE specifications

UNLESS OTHERWISE SPECIFIED: DIMENSIONS ARE IN INCHES TOLERANCES		CEC INDUSTRIES LTD	
DECIMALS .XX ± .05	ANGULAR ± 0.5°	599 BOND STREET	LINCOLNSHIRE, IL 60069
.XXX ± .010	FRACTIONAL ± 1/64	TITLE LIGHT BULB NO. 1076	
DRAWN ELIZABETH SONANES	DATE 04/13/2001	SIZE A	FSCM NO. 1076
CHECKED		DWG NO. 1076	REV 2
DESIGN	SCALE	PLOT SCALE	SHEET 1 OF 1
MATERIAL	FILE 1076.pdf	DRAWING NOT TO SCALE	