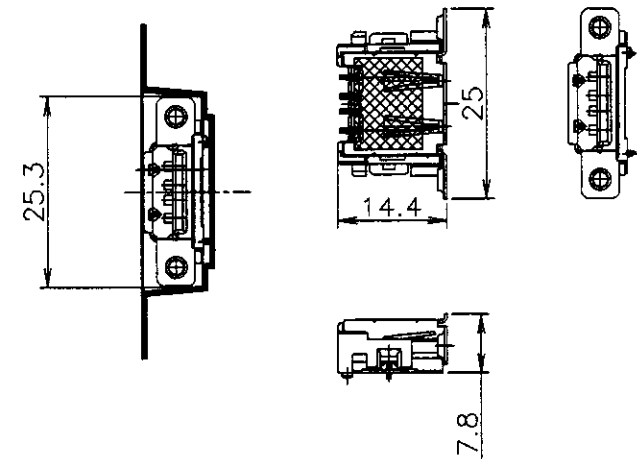
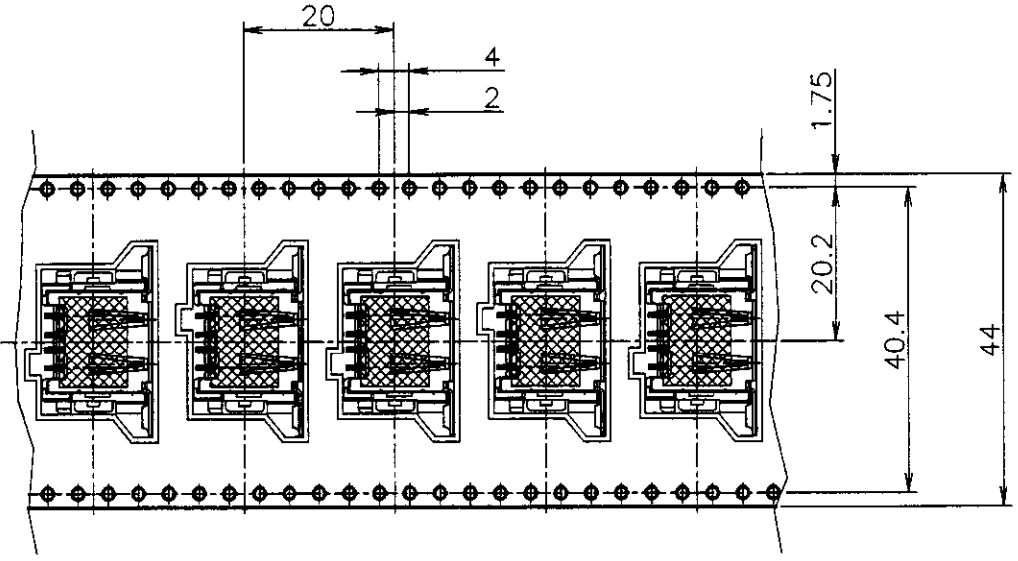


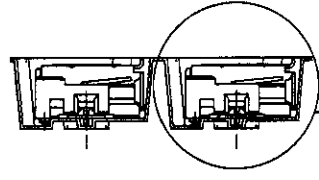
LOC	DIST	REVISIONS						
		P	LTR	DESCRIPTION	ECN	DATE	DWN	APVD
J		0		RELEASED	FJ00-0776-97	19/MAY/'97	Y.W	T.Y
		A		REVISED	FJ00-1226-00	7-AUG-'00	Y.W	JK
		A1		REVISED PER ECO-10-000445		09JAN10	KK	AEG

リール引出し方向
DIRECTION OFF TOP OF REEL



CONNECTOR DETAIL

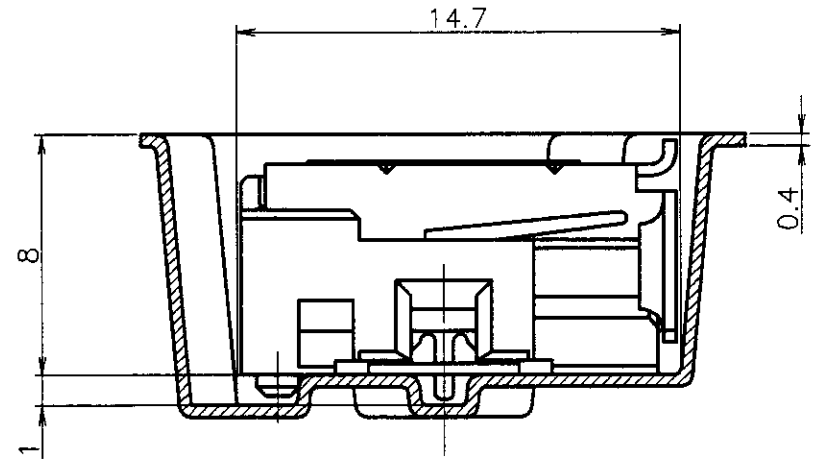
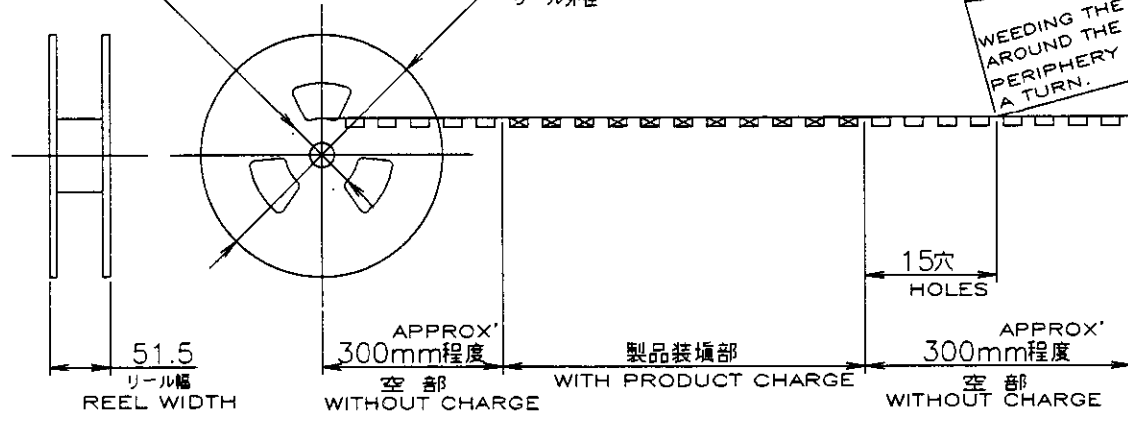
FLANGE CORE DIAMETER
フランジコア径
φ100



SEE DETAIL "A"

φ380
REEL DIAMETER
リール外径

カバーテープ
リーダー部
外周一巻
WEEDING THE COVER TAPE
AROUND THE OUTER
PERIPHERY IN
A TURN.



DETAIL "A"
(SCALE 4-1)

⚠ OBSOLETE	BLACK	350	4	1-912070-8	1-353576-2	353928-2
	WHITE	350	4	1-912070-8	1-353576-1	353928-1
	HOUSING COLOR	QTY	POS	EMBOSS P/N	CONN. P/N	PART NO.

⚠ OBSOLETE PARTS: OBSOLETE CIS STREAMLINING PER D.RENAUD/D.SINISI

THIS DRAWING IS A CONTROLLED DOCUMENT.		DWN Y.WATANABE 19/MAY/'97	AMP Tyco Electronics AMP K.K. Kawasaki, Japan	
DIMENSIONS: 単位: 耗 MM		CHK T.YAMADA 19/MAY/'97		
TOLERANCES UNLESS OTHERWISE SPECIFIED: 一般公差		APVD T.YAMADA 19/MAY/'97	NAME 名称	
±0.3, ±5°		PRODUCT SPEC 製品規格 108-5563	EMBOSS ASSY REVERSE TYPE USB CONN. REC. WITH COVER TYPE	
MATERIAL 材料		APPLICATION SPEC 取付適用規格 //	SIZE A3	CAGE CODE 00779
FINISH 仕上		WEIGHT //	DRAWING NO 番号 G-353928	RESTRICTED TO
CUSTOMER DRAWING			SCALE 尺度 1:1	SHEET 1 OF 1
			REV A1	