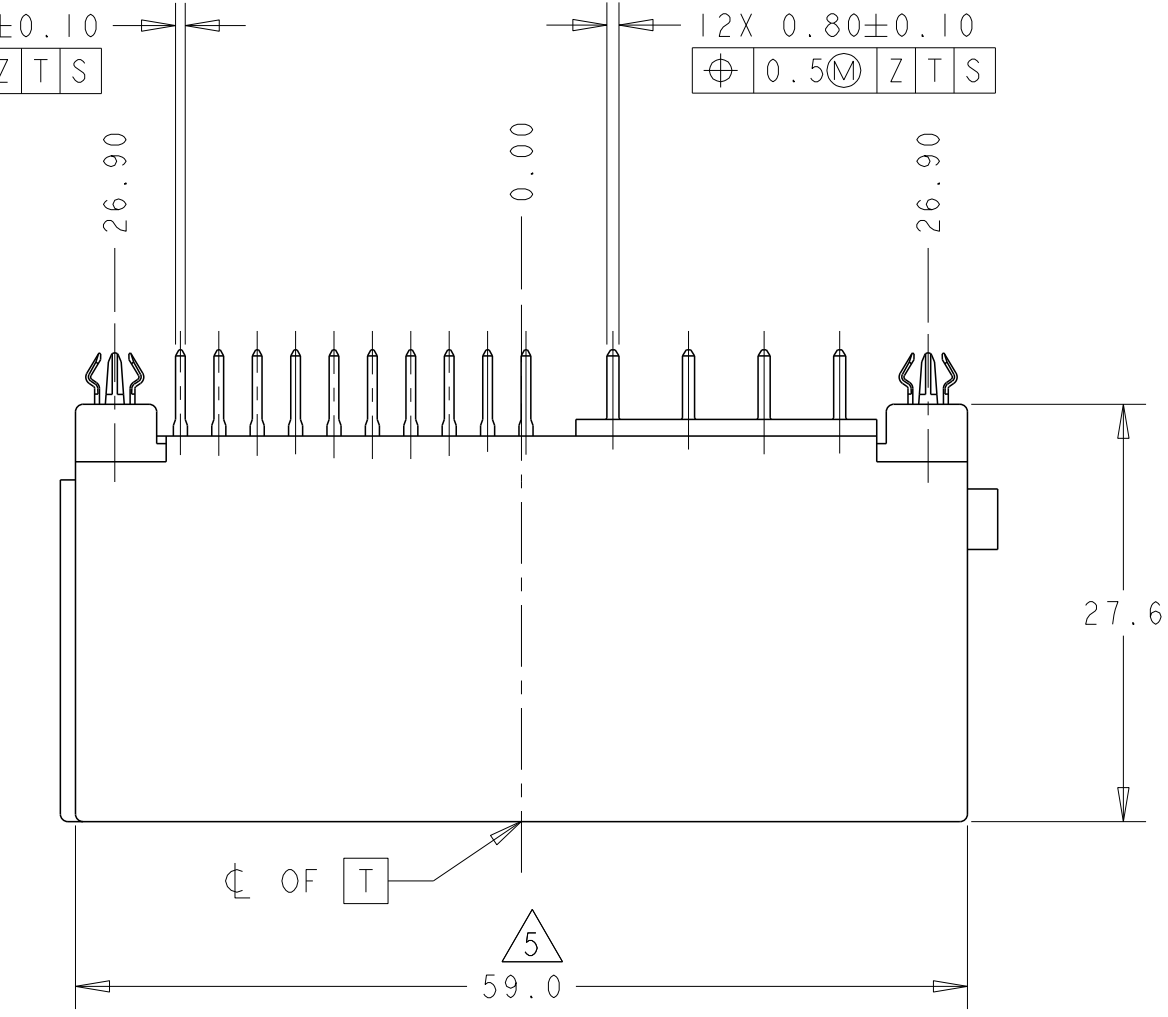
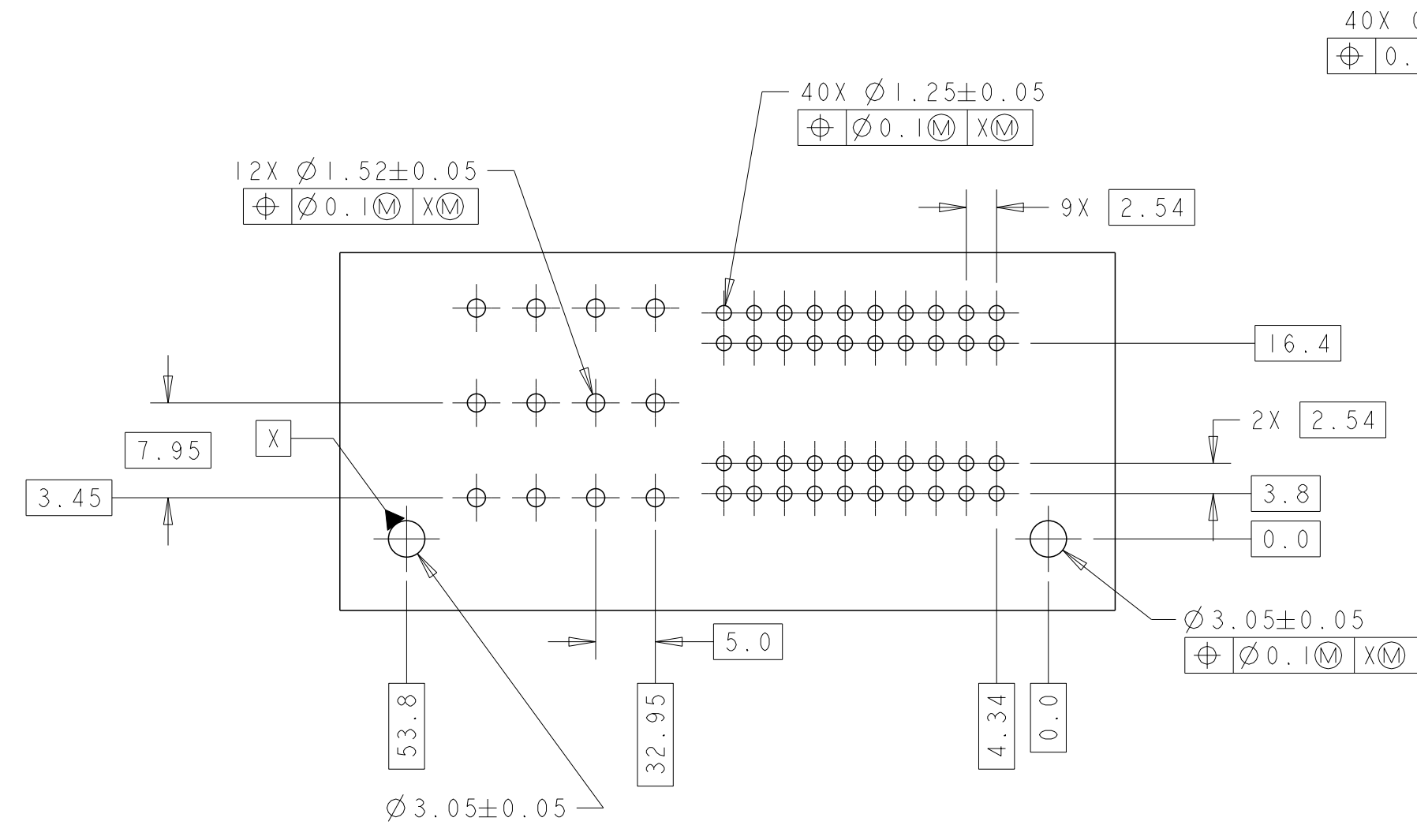
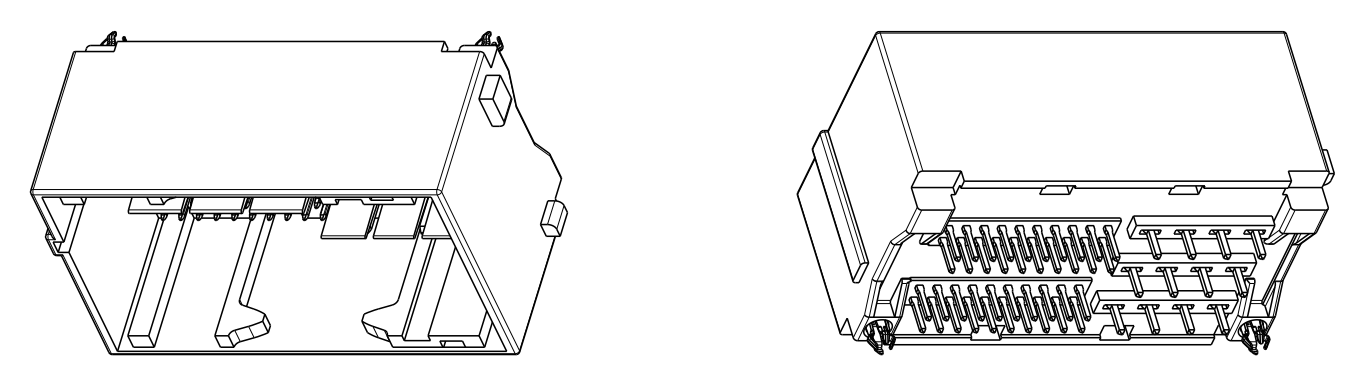
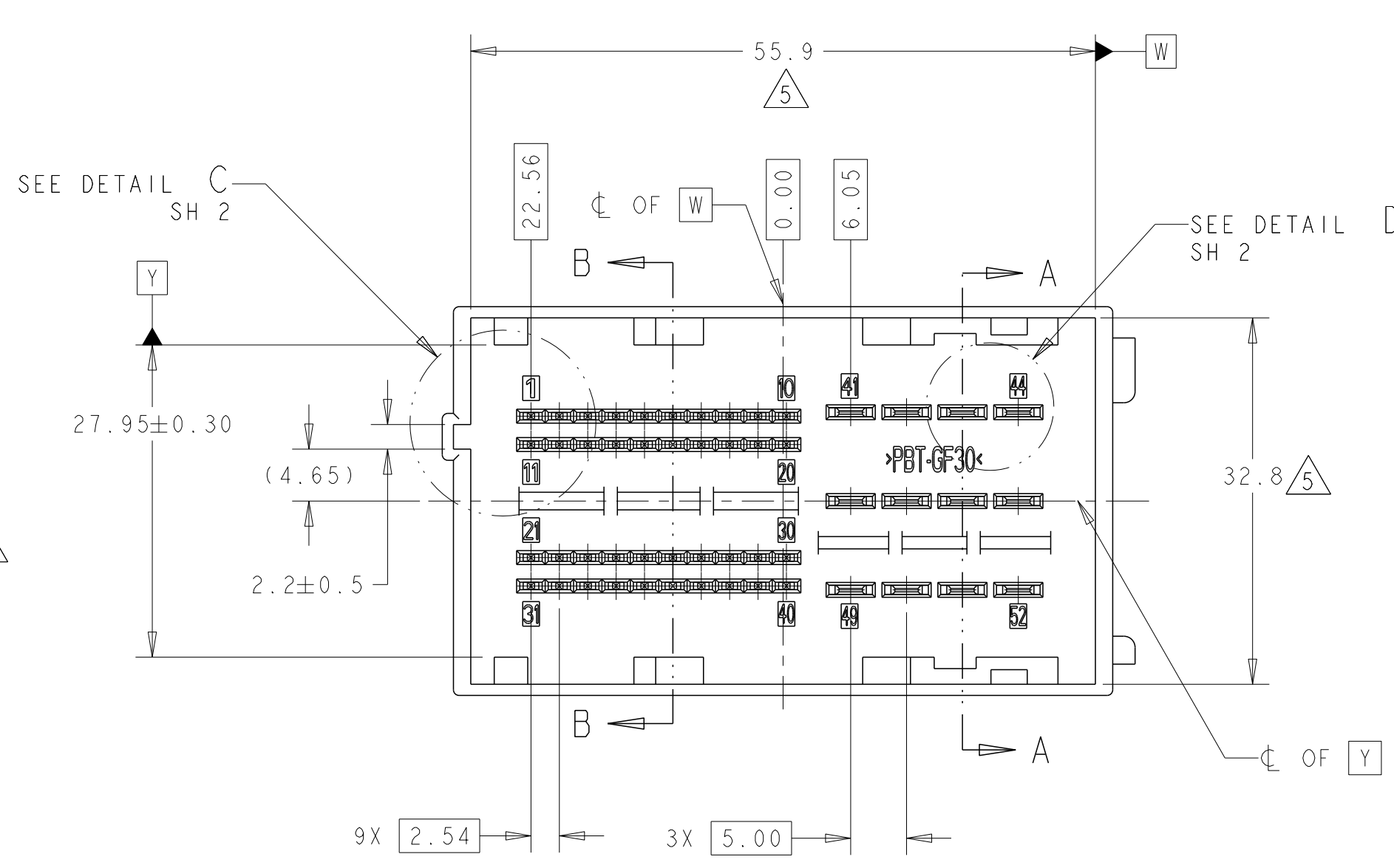
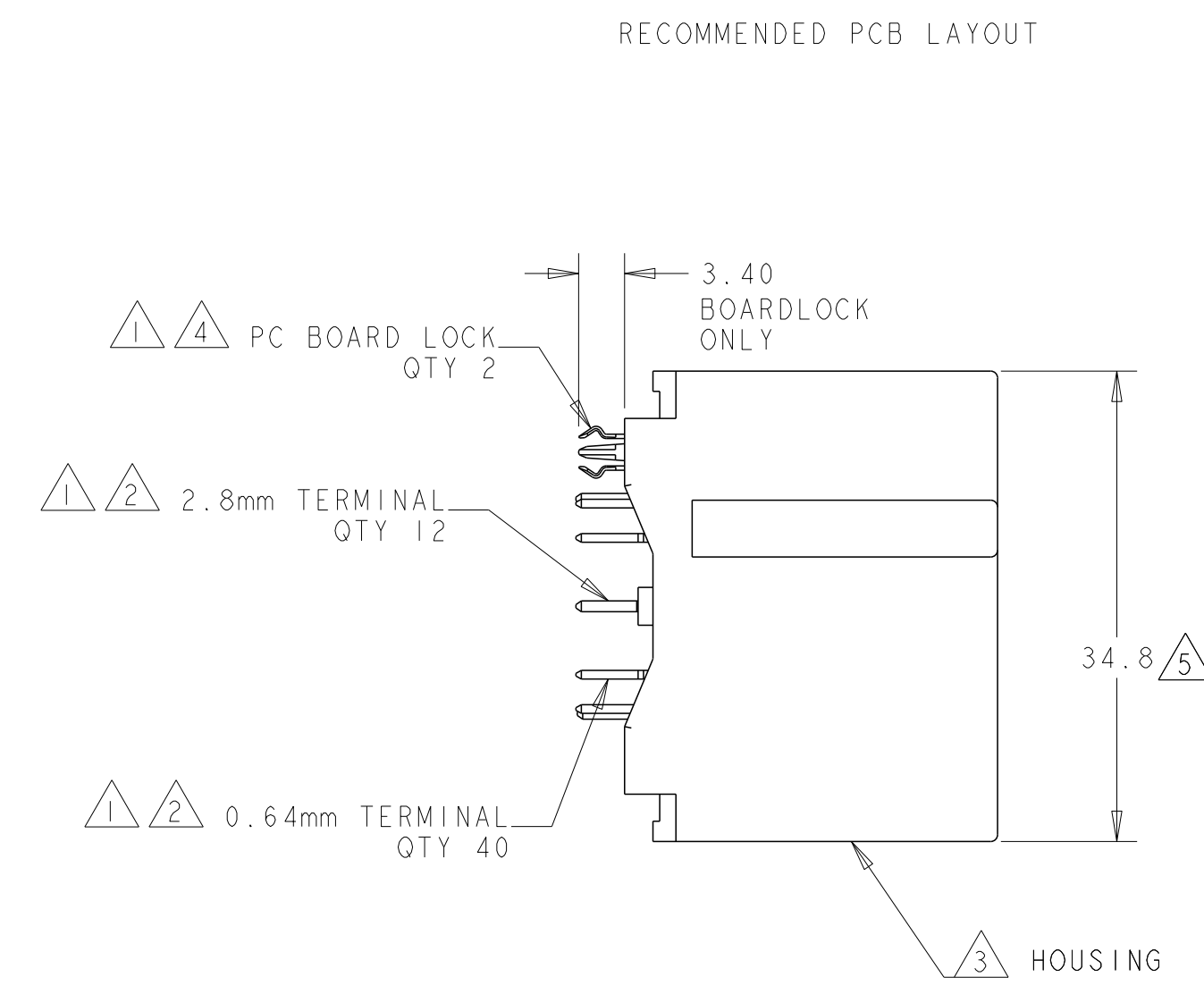


THIS DRAWING IS UNPUBLISHED. RELEASED FOR PUBLICATION 20
 © COPYRIGHT 20 BY - ALL RIGHTS RESERVED.

REVISIONS				
P	LTR	DESCRIPTION	DATE	APVD
D		REVISED PER ECO 11-022200	03NOV2011	DD CA
DI		REVISED PER ECO 15-012318	25AUG2015	DD MB



- 1 MATERIAL: BRASS, TEMPER H04.
- 2 FINISH: MATING END - 0.0008-0.0016 THICK MATTE TIN
 SOLDER TAIL - 0.0038 - 0.0064 THICK MATTE TIN ALL
 OVER 0.0012 MINIMUM NICKEL
- 3 MATERIAL: 30% GLASS FILLED PBT;
 COLOR: BLACK
- 4 FINISH: 3.8 μ m MIN TIN OVER 1.2 μ m MIN NICKEL
- 5 DIMENSION APPLIES AT CORNERS.
- 6 (5.70mm \pm 0.25mm) 0.64mm TERMINAL SOLDER TAIL LENGTH
 APPLIES TO THE 2098978-1.
 2.8mm TERMINAL SOLDER TAIL LENGTH REMAINS AT 5.60 \pm 0.25mm.
- 7 (4.75mm \pm 0.25mm) 0.64mm TERMINAL SOLDER TAIL LENGTH
 APPLIES TO THE 2098978-2.
 2.8mm TERMINAL SOLDER TAIL LENGTH REMAINS AT 5.60 \pm 0.25mm.



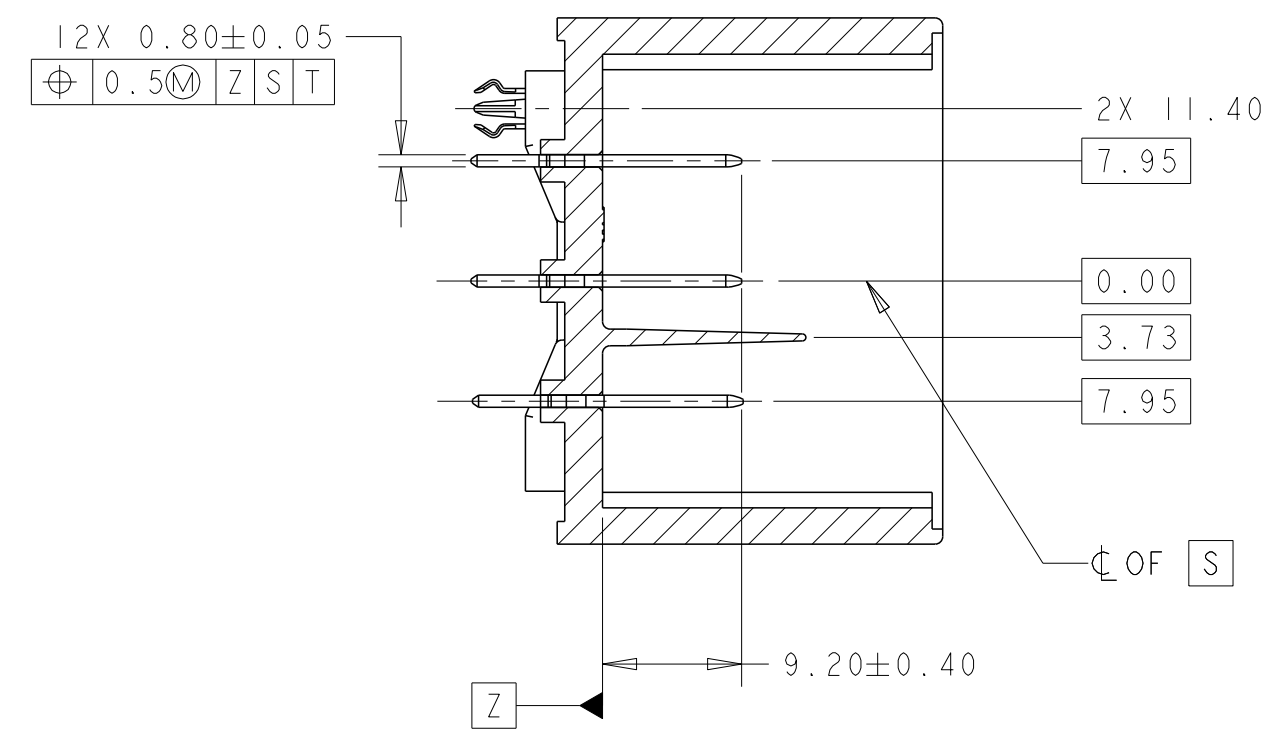
SCALE 1:1

7	2098978-2
6	2098978-1
PART NUMBER	

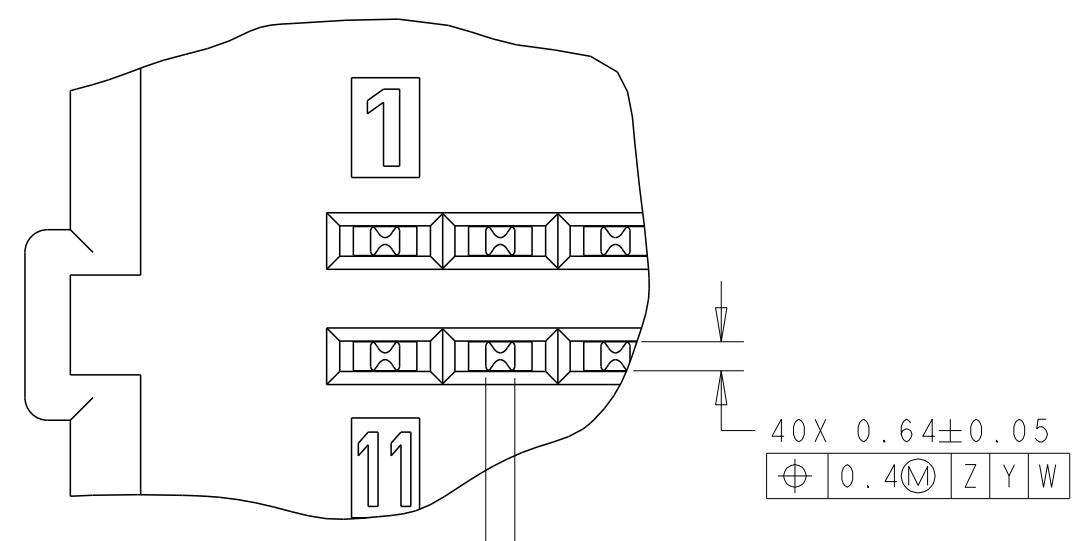
THIS DRAWING IS A CONTROLLED DOCUMENT.		DWN R. VESTAL 31AUG2010	TE Connectivity	
DIMENSIONS: mm		CHK C. ALLGOOD 31AUG2010		
TOLERANCES UNLESS OTHERWISE SPECIFIED:		APVD C. ALLGOOD 31AUG2010	NAME HEADER ASSEMBLY, 52 POSITION, 0.64mm AND 2.8mm	
0 PLC ± 0.5 1 PLC ± 0.5 2 PLC ± 0.30 3 PLC \pm 4 PLC \pm ANGLES \pm FINISH \pm		PRODUCT SPEC -	SIZE A200779 C-2098978	
MATERIAL -		APPLICATION SPEC -	RESTRICTED TO -	
		WEIGHT -	SCALE 2:1 SHEET 1 OF 2 REV D1	
		CUSTOMER DRAWING		

THIS DRAWING IS UNPUBLISHED. RELEASED FOR PUBLICATION 20
 © COPYRIGHT 20 BY - ALL RIGHTS RESERVED.

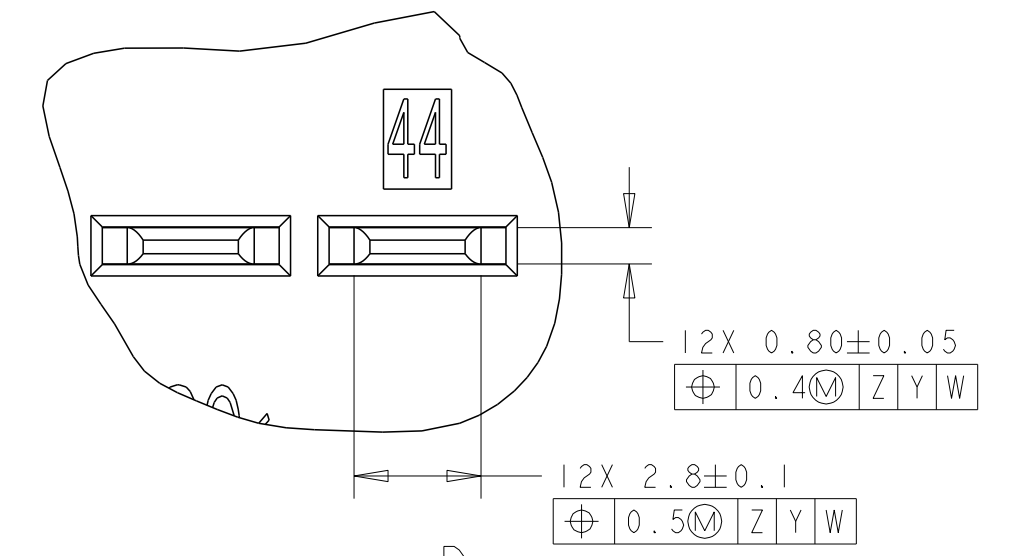
REVISIONS				
P	LTR	DESCRIPTION	DATE	APVD
-	-	SEE SHEET 1	-	-



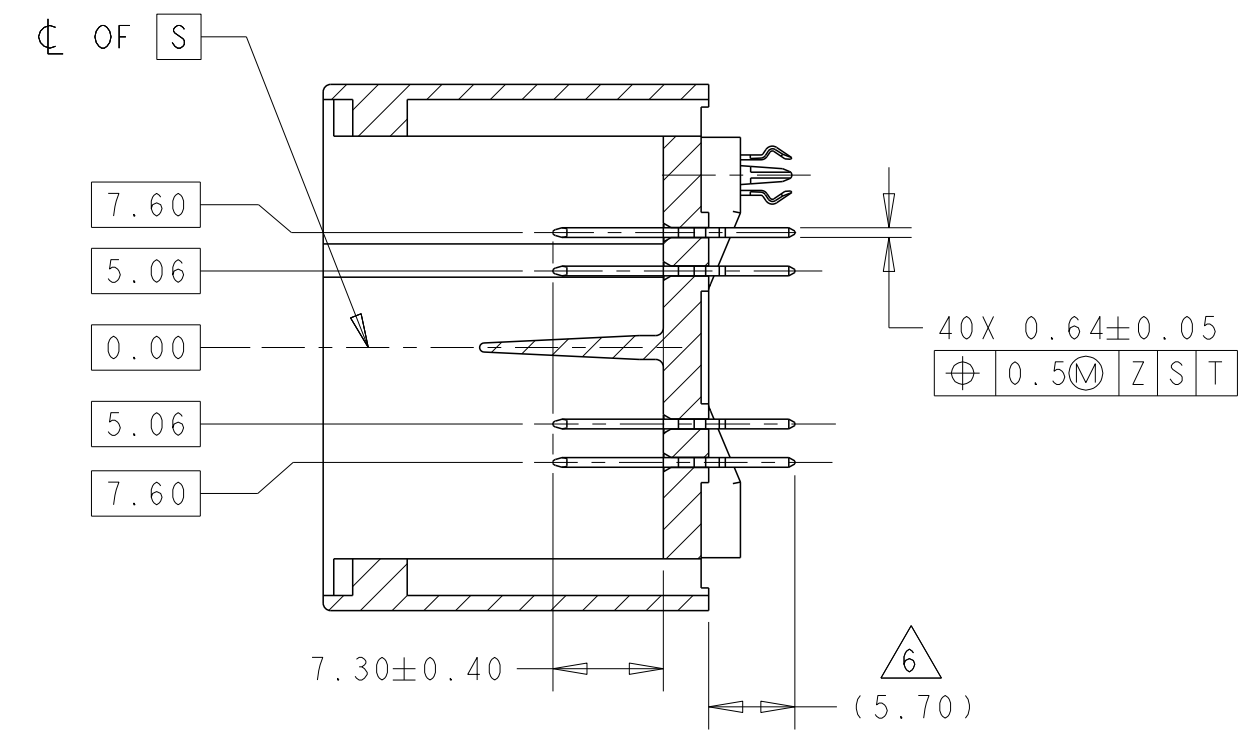
SECTION A-A
 2098978-1 AND 2098978-2
 THROUGH 2.8mm BLADES



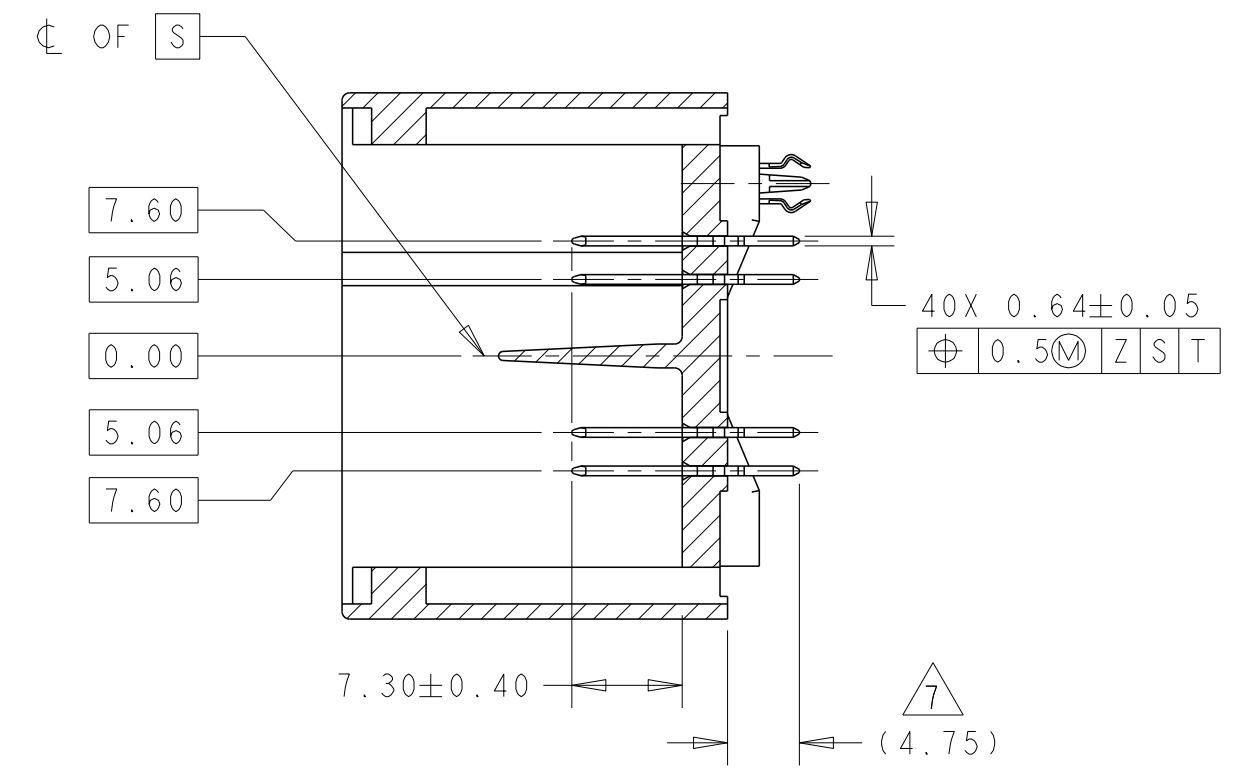
DETAIL C
 SCALE 6:1



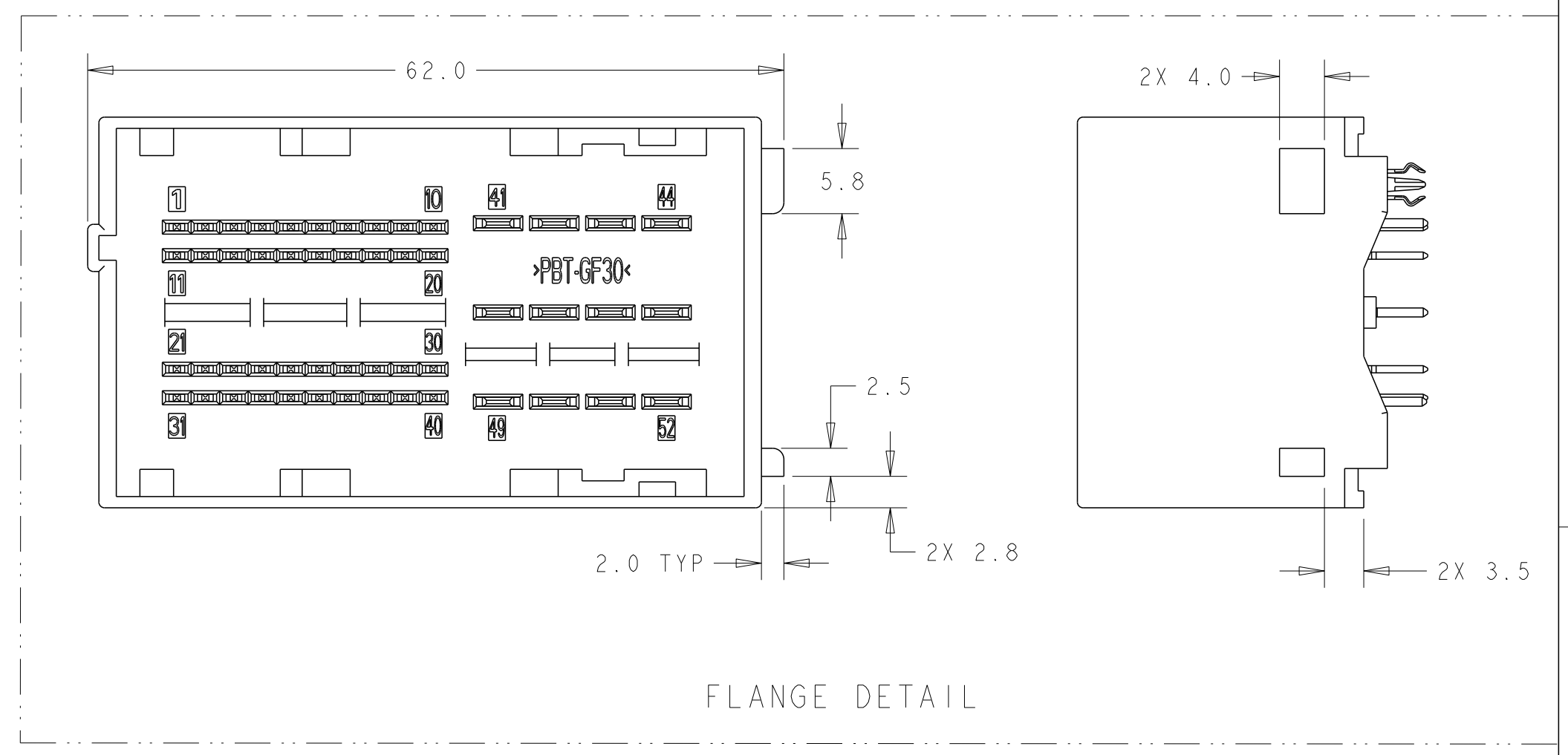
DETAIL D
 SCALE 6:1



SECTION B-B
 2098978-1
 THROUGH 0.64mm BLADES



SECTION B-B
 2098978-2
 THROUGH 0.64mm BLADES



FLANGE DETAIL

THIS DRAWING IS A CONTROLLED DOCUMENT.		DWN R. VESTAL 31AUG2010	TE Connectivity	
DIMENSIONS: mm		CHK C. ALLGOOD 31AUG2010		
TOLERANCES UNLESS OTHERWISE SPECIFIED:		APVD C. ALLGOOD 31AUG2010	NAME	
0 PLC ±0.5		PRODUCT SPEC	HEADER ASSEMBLY, 52 POSITION, 0.64mm AND 2.8mm	
1 PLC ±0.5		APPLICATION SPEC	SIZE	RESTRICTED TO
2 PLC ±0.30			A200779	
3 PLC ±		WEIGHT	C-2098978	
4 PLC ±		CUSTOMER DRAWING	SCALE 2:1	SHEET 2 OF 2
ANGLES ±				REV D1
FINISH ±				