

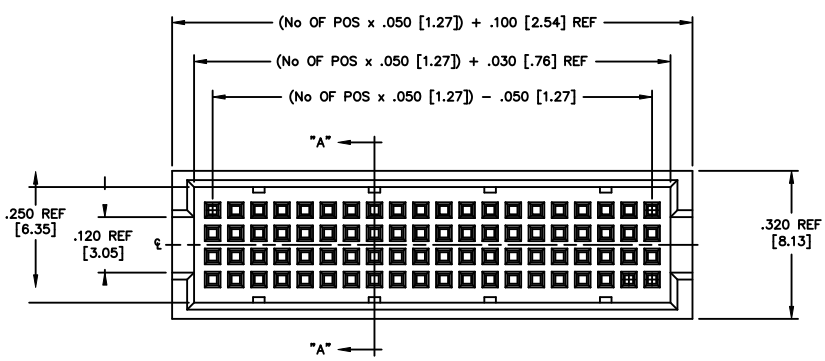
REVISION V

DIMENSIONS ARE IN INCHES		UNLESS OTHERWISE NOTED		TOLERANCES ARE:	
ONE PLACE DECIMALS ± .1	THREE PLACE DECIMALS ± .005	ANGLES	± 5°		
TWO PLACE DECIMALS ± .01	FOUR PLACE DECIMALS ± .0020				

TITLE: MIXED TECHNOLOGY  
.050 X .050  
4 ROW SHROUDED  
TERMINAL STRIP

DWG NO: MOLC-1XX-M1-XX-X-XX-XX

SHEET 1 OF 1



MOLC-1XX-M1-XX-X-XX-XX

\* No OF POSITIONS -05 THRU -50

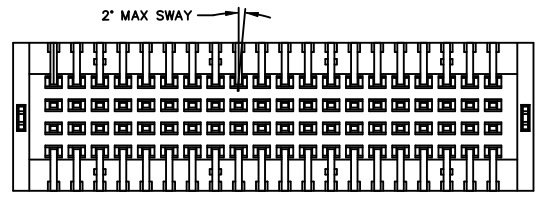
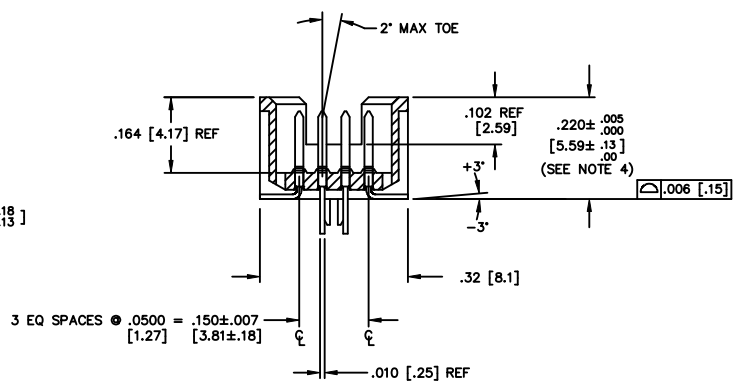
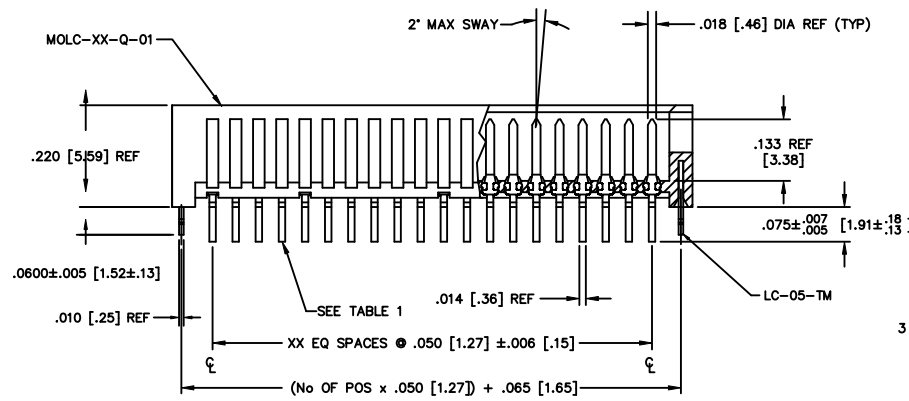
LEAD STYLE -M1: MIXED TECHNOLOGY (SEE TABLE 1)

PACKAGING -BLANK: TUBES (SEE NOTES 6 & 7) -TR: TAPE & REEL (SEE NOTES 7 & 8) -FR: FULL REEL QTY TAPE & REEL (SEE NOTES 7 & 8) -OPTION -LC: LOCKING CLIP (SEE NOTE 5)

PLATING SPECIFICATIONS (SEE TABLE 1) -S: 30μ" SELECTIVE GOLD IN CONTACT AREA, MATTE TIN ON TAIL -SM: 30μ" SELECTIVE GOLD IN CONTACT AREA, MATTE TIN ON TAIL -L: 10μ" LIGHT SELECTIVE GOLD IN CONTACT AREA, MATTE TIN ON TAIL

BODY SPECIFICATION -Q: 4 ROW (USE MOLC-XX-Q-01)

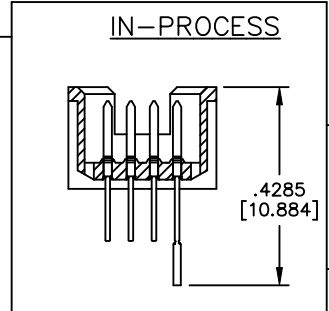
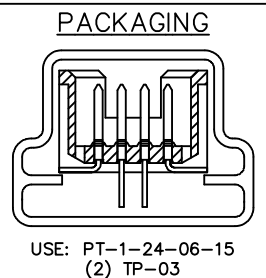
\* NOTE: ASSEMBLY TOOLING IS CAPABLE OF BUILDING THE -20, -30 & -50 POSITIONS ONLY AT THIS TIME. WILL HAVE TO BUILD NEW ASSEMBLY TOOLING FOR OTHER SIZES AS REQUIRED BY SALES AND MARKETING.



NOTES:

1. MINIMUM PUSHOUT FORCE: .5 LBS.
2. INSULATOR MATERIAL: VECTRA E130, BLACK, LCP, UL 94 VO
3. TERMINAL MATERIAL: PHOS-BRONZE, 1/2 HARD
4. MEASURED AT BEND RADIUS.
5. DUE TO THE HIGH AMOUNT OF INSERTION FORCE NEEDED, THE -LC OPTION IS NOT COMPATIBLE WITH AUTO PLACEMENT. SAMTEC RECOMMENDS MANUAL PLACEMENT FOR ALL ASSEMBLIES WITH THE -LC OPTION.
6. TUBES ARE STANDARD PACKAGING.
7. ORDERS WILL BE PACKAGED ACCORDING TO THE SAMTEC PACKAGING EFFICIENCY STANDARDS (SPES) FOUND ON WWW.SAMTEC.COM.
8. ATTACH LABEL TO EACH REEL.

PROPRIETARY NOTE: THE INFORMATION CONTAINED HEREIN IS THE PROPERTY OF SAMTEC AND IS UNCLASSIFIED UNLESS INDICATED OTHERWISE. IT IS TO BE USED ONLY FOR THE PURPOSES SPECIFIED IN THE ORIGINAL ORDER AND IS NOT TO BE REPRODUCED, COPIED, OR TRANSMITTED IN ANY FORM OR BY ANY MEANS, ELECTRONIC OR MECHANICAL, INCLUDING PHOTOCOPYING, RECORDING, OR BY ANY INFORMATION STORAGE AND RETRIEVAL SYSTEM, WITHOUT THE WRITTEN PERMISSION OF SAMTEC.



PLATING	TERMINAL
-S	T-1R16-01-S-2
-SM	T-1R16-01-S-2
-L	T-1R16-01-L-2

**samtec**

EXISPROD\ASSEMBLY\050  
MOLC-M1

520 PARK EAST BLVD. NEW ALBANY, INDIANA 47150  
PHONE (812) 944-6733 P.O. BOX 1147  
CODE 55322

MADE BY: PLUMMER 04-01-96

MOLC-1XX-M1-XX-X-XX-XX  
SHEET 1 OF 1