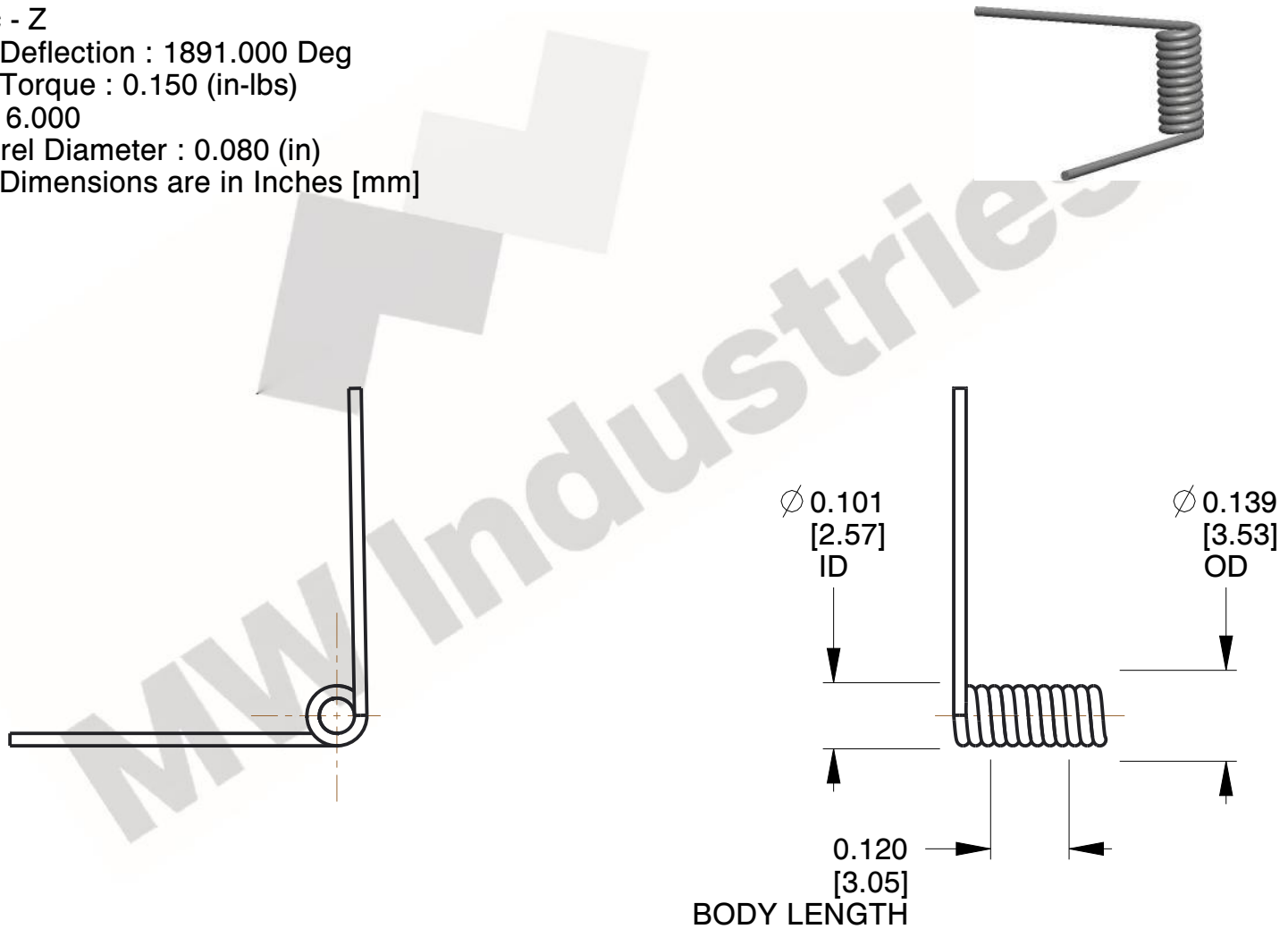


**NOTES:**

1. Material : Stainless Ste
2. Finish : Zinc - Z
3. Sugg. Max. Deflection : 1891.000 Deg
4. Sugg. Max. Torque : 0.150 (in-lbs)
5. Total Coils : 6.000
6. Sugg. Mandrel Diameter : 0.080 (in)
7. All Drawing Dimensions are in Inches [mm]



COMPONENT	TORSION SPRINGS		
<b>TO-1114</b>  TORSION SPRINGS	<b>UNIT</b>	INCH [mm]	
	<b>SHEET</b>	1 of 1	