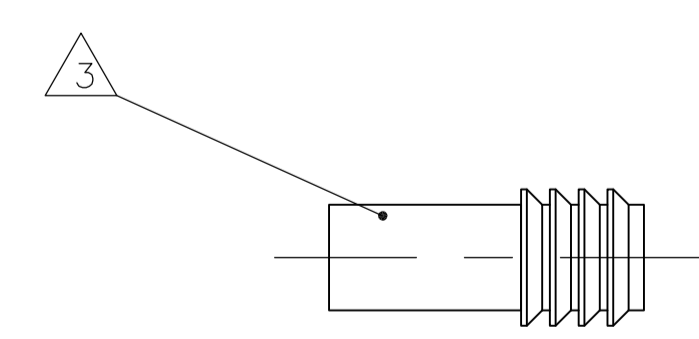
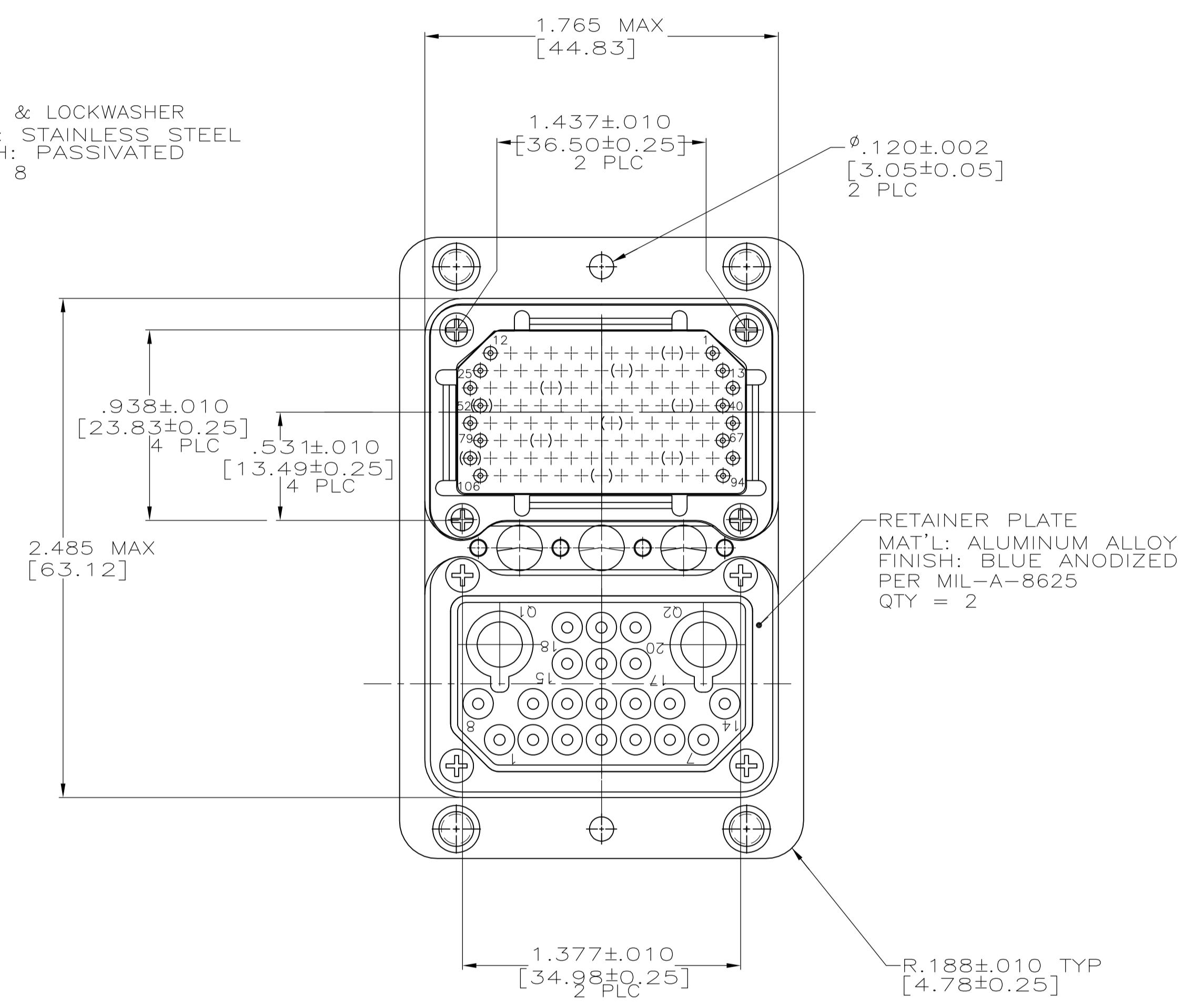
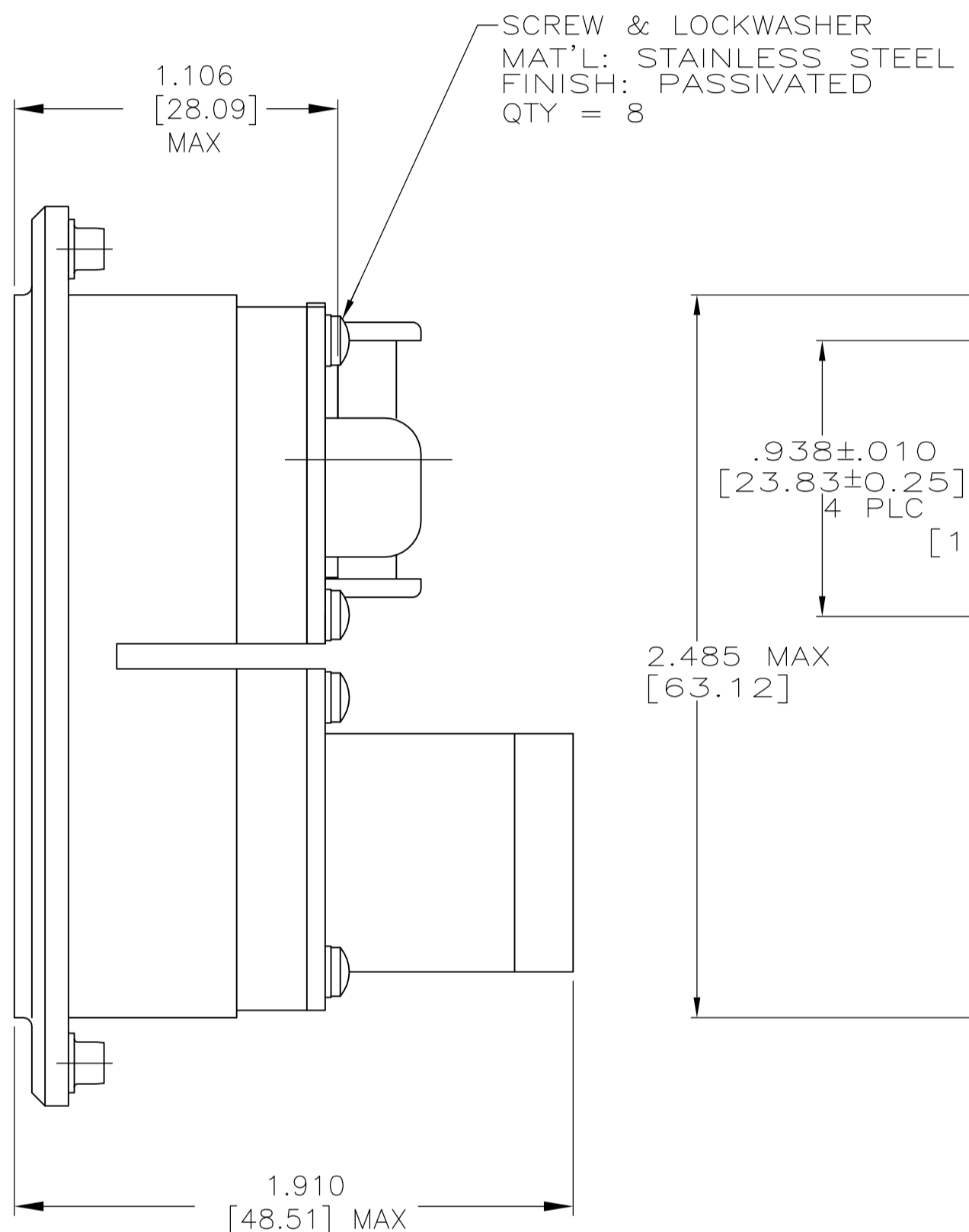
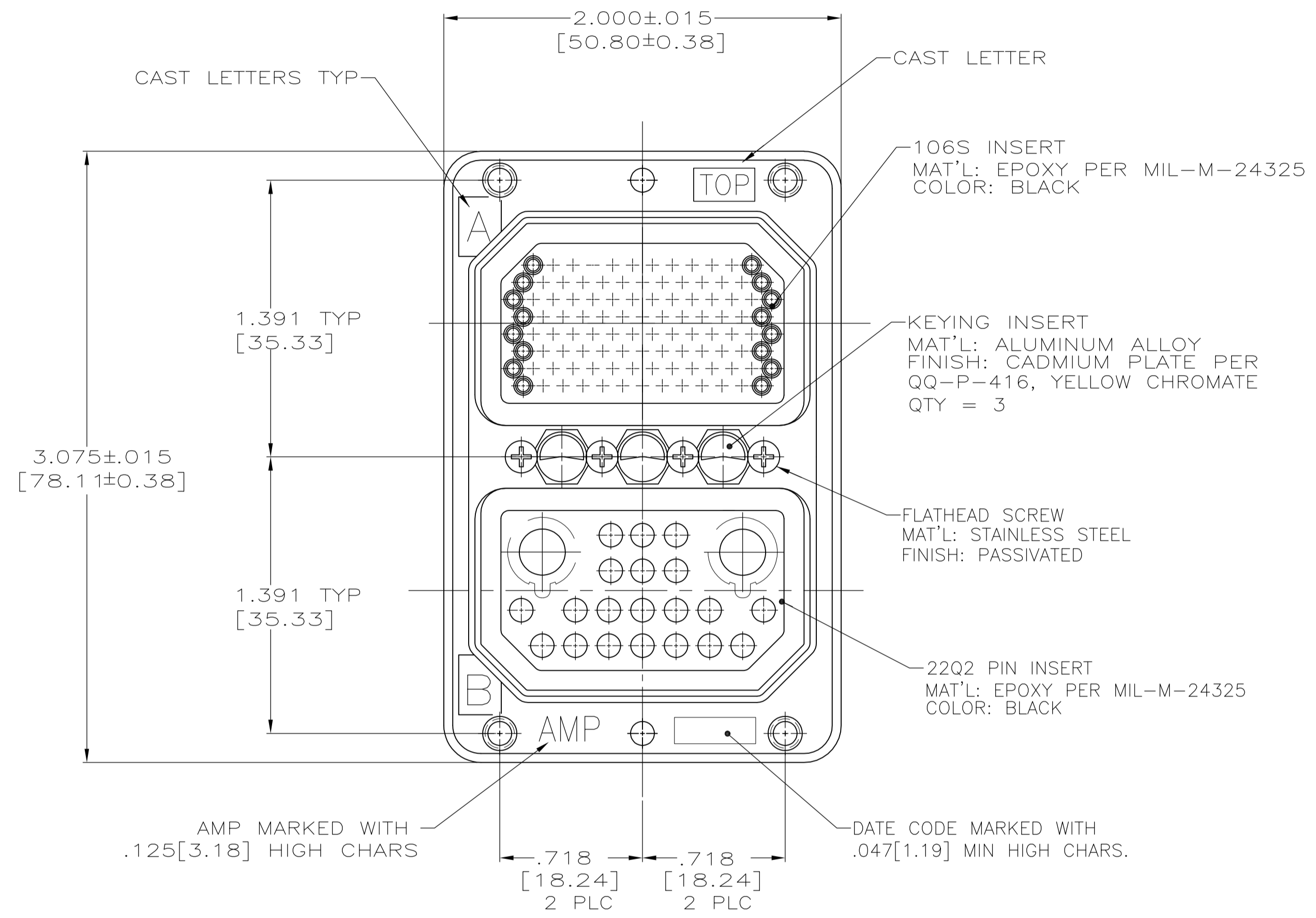
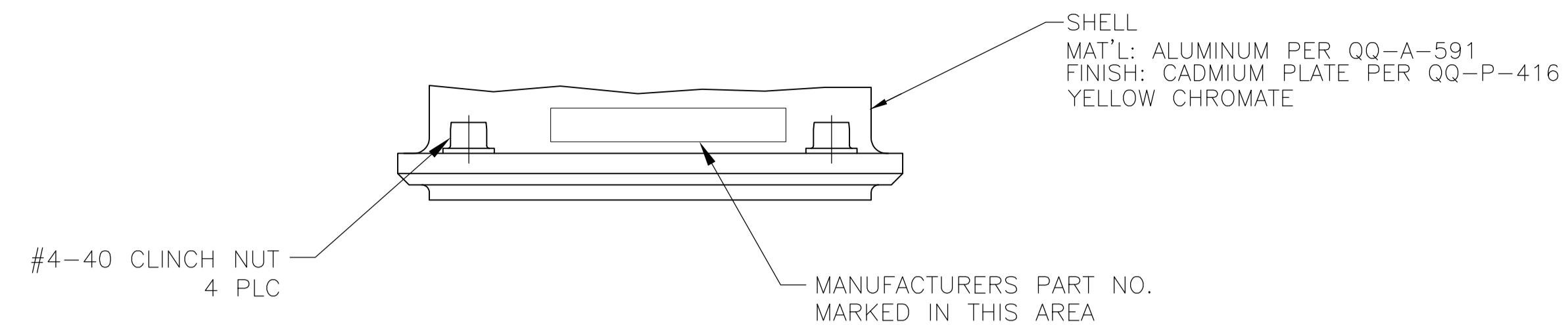


LOC		DIST		REVISIONS			
P	LTR	DATE	DMN	APVD			
J	REVISED PER	ECO-09-018066	18AUG09	PY	DE		



- CONNECTOR DIMENSIONS ARE PER ARINC 404 SPECIFICATION.
 - KEYING SHOWN IN POSITION "01" FOR ILLUSTRATION ONLY. CONNECTORS SHIPPED WITH KEYING INSTALLED IN POSITION PER TABLE. FOR POSITION "00" KEYING HARDWARE SHIPPED UNASSEMBLED.
- △ TWO QUADRAx SEALS PROVIDED WITH ASSEMBLY.

"02"	1757312-2
"01"	1757312-1
KEYING POSITION	PART NO.

THIS DRAWING IS A CONTROLLED DOCUMENT.

DIMENSIONS: INCHES	TOLERANCES UNLESS OTHERWISE SPECIFIED:	DIN C.C.THOMAS 5-20-05	Tyco Electronics Corporation Harrisburg, PA 17105-3608
0 PLC ± -	1 PLC ± -	CIK D.FARY 5-20-05	APVD D.FARY 5-20-05
2 PLC ± -	3 PLC ± .005 [0.13]	NAME	DUAL RECEPTACLE, ARINC 404, R2R106S22Q2P-01XX (201)
4 PLC ± -	ANGLES ± -	APPLICATION SPEC	
MATERIAL	FINISH	WEIGHT	SIZE CAGE CODE DRAWING NO. RESTRICTED TO
			A1 00779 C=1757312
CUSTOMER DRAWING		SCALE 2:1	SHEET 1 OF 1 REV J