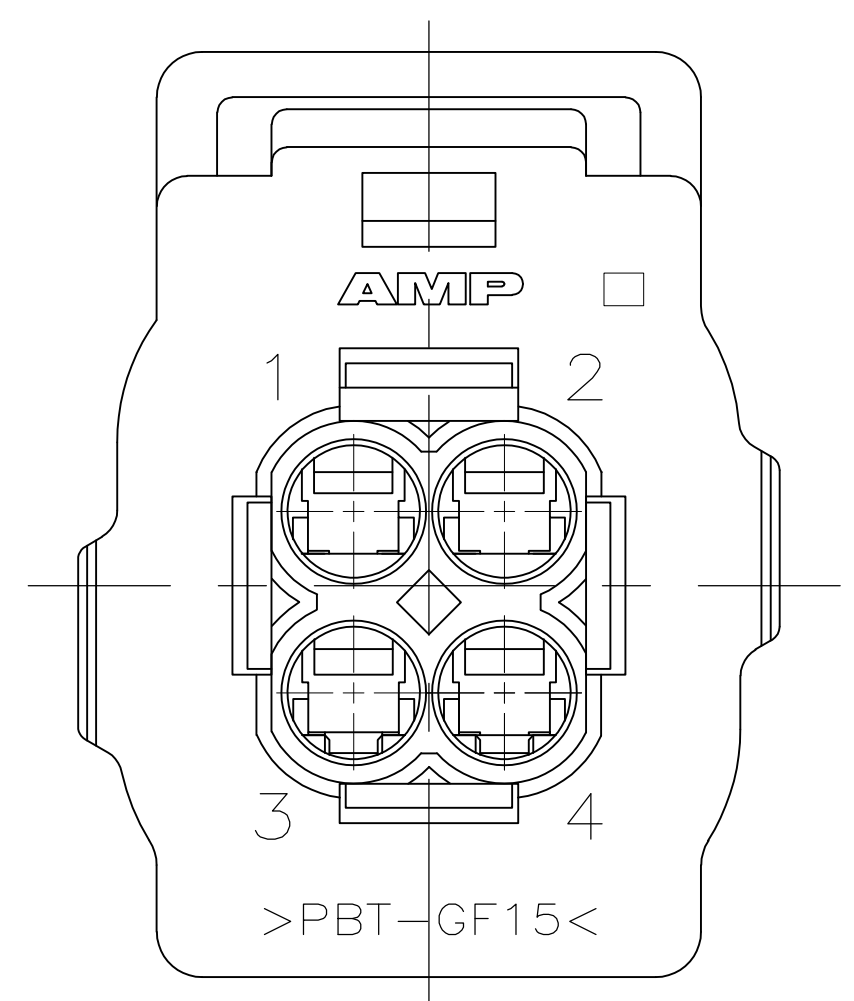
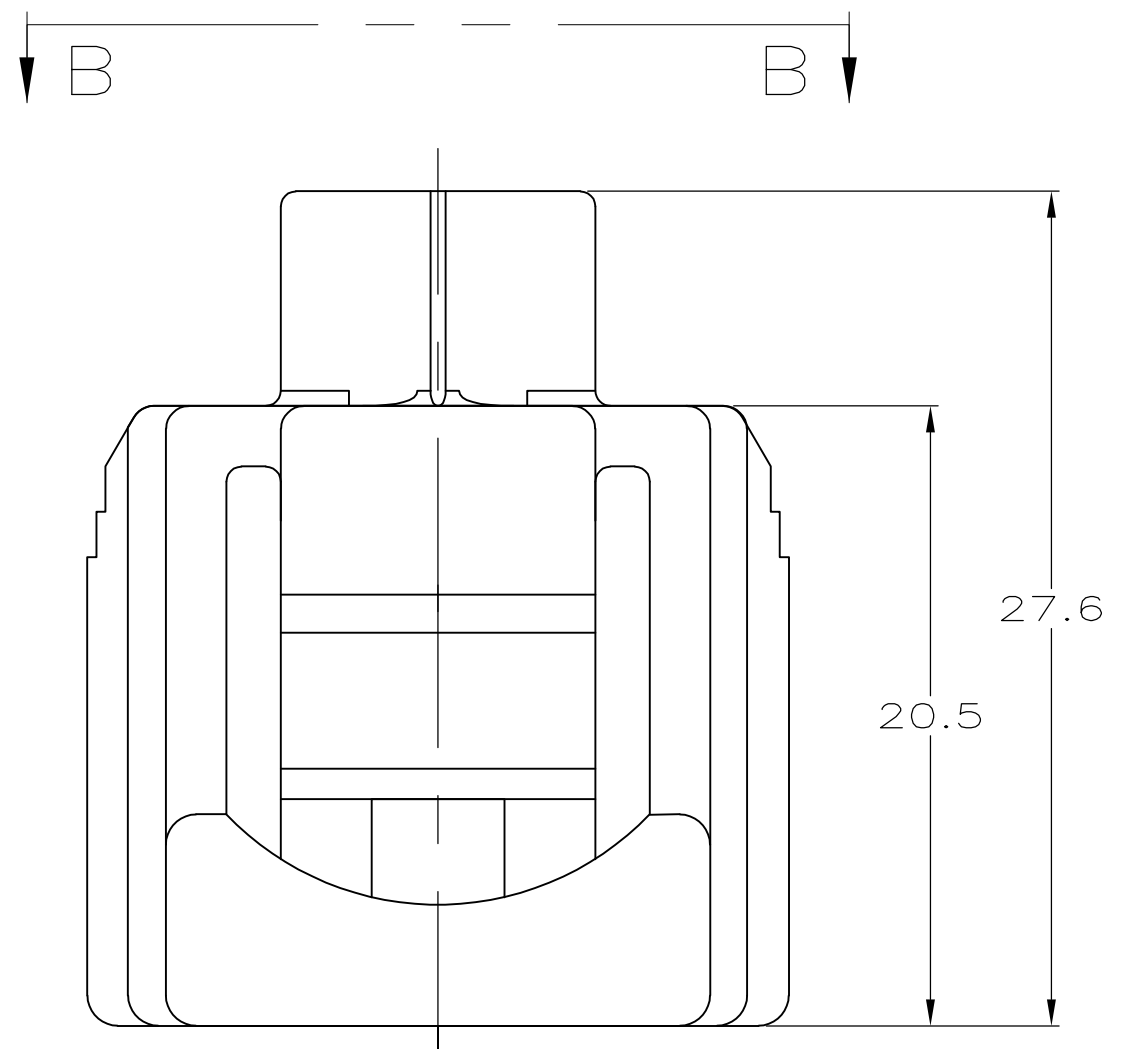
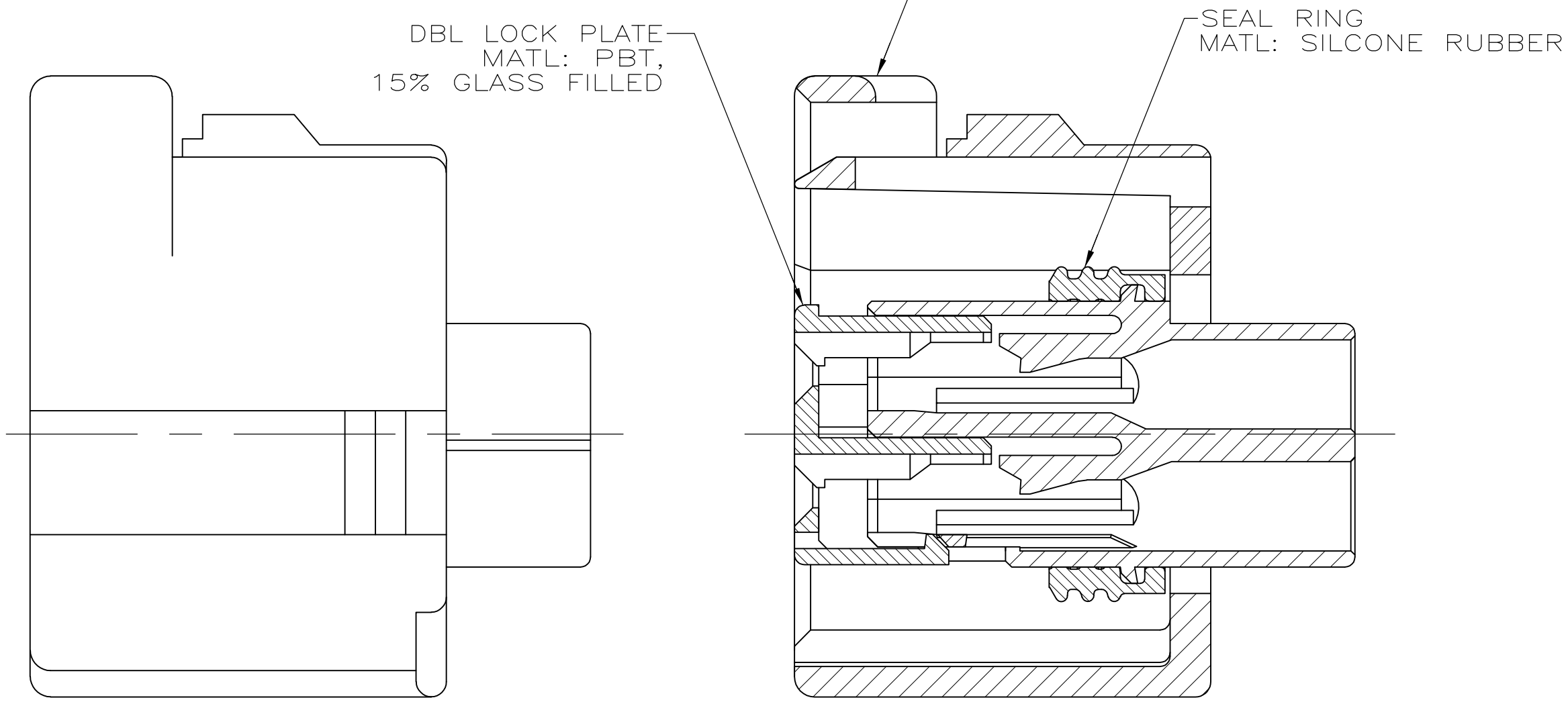
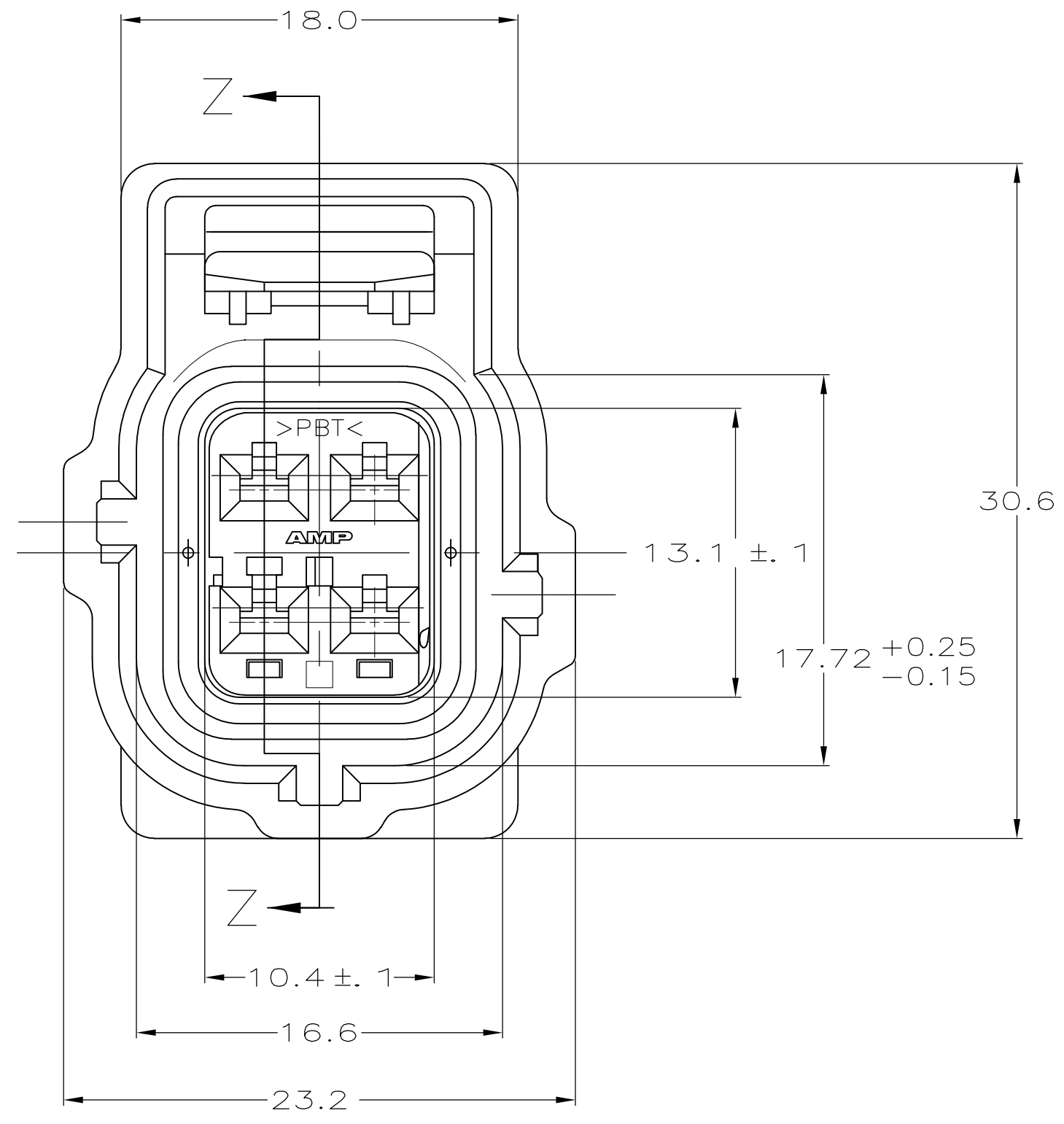


THIS DRAWING IS UNPUBLISHED. RELEASED FOR PUBLICATION
 © COPYRIGHT BY TYCO ELECTRONICS CORPORATION. ALL INTERNATIONAL RIGHTS RESERVED.

| LOC | DIST | REVISIONS | | | |
|-----|------|-------------|---------------------------|-----------|-------|
| P | LTR | DESCRIPTION | DATE | DWN | APVD |
| GE | 19 | B | REVISED PER ECO-09-008507 | 09APR2009 | DD MB |



VIEW B-B



SECTION Z-Z
SCALE 4:1

| | |
|------------|-------------|
| NATURAL | 184396-2 |
| BLACK | 184396-1 |
| PLUG COLOR | PART NUMBER |

| | | | | | |
|--|--|------------------|------------------------|------------|---|
| THIS DRAWING IS A CONTROLLED DOCUMENT. | | DWN | AJ GRAFF | 01AUG01 | Tyco Electronics Corporation Harrisburg, PA 17105-3608 |
| DIMENSIONS: mm | | CHK | K COBLE | 01AUG01 | |
| TOLERANCES UNLESS OTHERWISE SPECIFIED: | | APVD | K COBLE | 01AUG01 | |
| 0 PLC ± - 1 PLC ± 0.3 2 PLC ± 0.15 3 PLC ± - 4 PLC ± - ANGLES ± - FINISH - | | PRODUCT SPEC | NAME | | |
| MATERIAL | | APPLICATION SPEC | 2 X 2 PLG ASY KEY C-C3 | | RESTRICTED TO |
| WEIGHT | | WEIGHT | - | SIZE | A2 |
| CUSTOMER DRAWING | | CAGE CODE | 00779 | DRAWING NO | C=184396 |
| SCALE | | SCALE | 4:1 | SHEET | 1 of 1 |
| REV | | REV | B | | |