

APPROVED: \_\_\_\_\_  
 DATE: \_\_\_\_\_ TITLE: \_\_\_\_\_

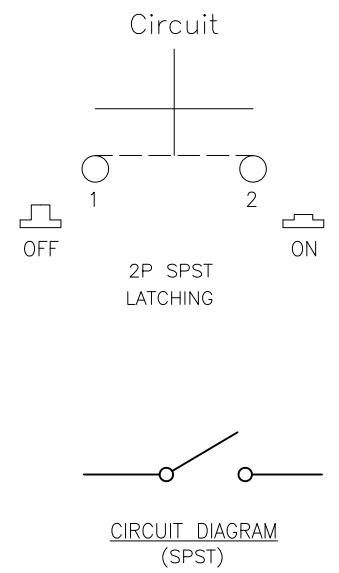
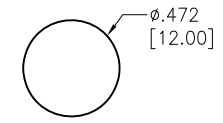
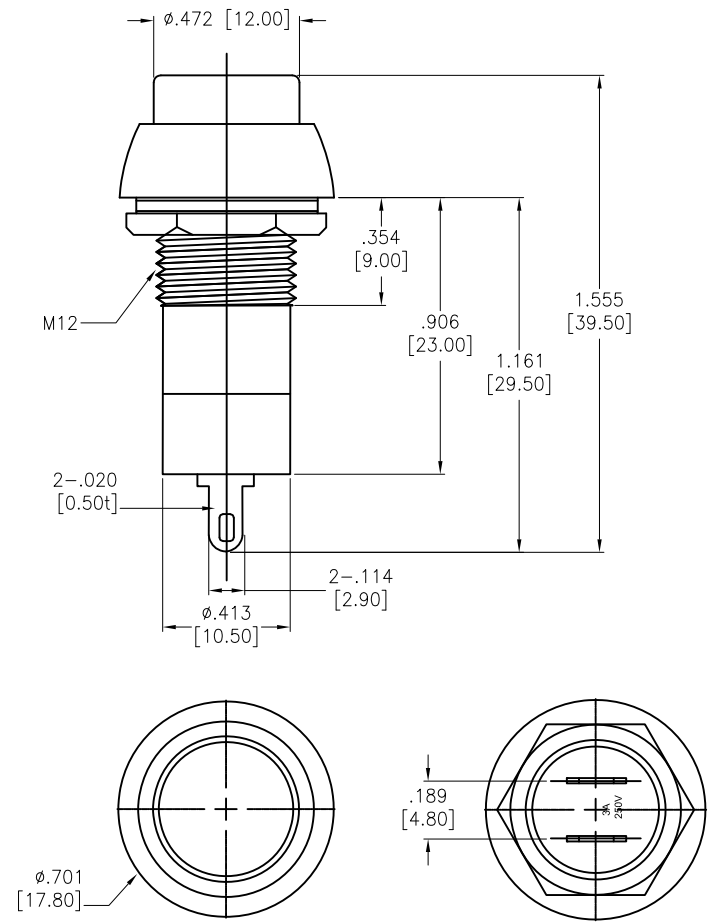
Rev	AWO #	Description	Date	Appr
-		RELEASED	11/25/20	
A		ADDED SPEC.	5/19/21	LH/RC

D

C

B

A



SW-PB1-1XX-A-P1-X

NO.	Button Color
A	Black
B	Blue
C	Green
D	Red
E	White
F	Yellow

SW-PB1-1XX-A-P1-X

- DZ= ON-OFF Latching
- BS= OFF-ON Momentary

**SPECIFICATIONS:**  
 Material:  
 Housing: ABS, rated UL 94V-0  
 Bottom: PA66  
 Button: ABS  
 Contact: Brass, Silver plated  
 Spring: Spring steel wire  
 Electrical:  
 Rating: 3A, 250VAC  
 Contact resistance: 50 mΩ max  
 Insulation resistance: 100 Mohms min (500VDC)  
 Dielectric withstanding voltage: 1500 VAC for 1 minute  
 Electrical life: 10,000 Cycles min  
 Temperature Rating:  
 Operating temperature: -25°C to +85°C  
 Environmental:  
 Lead free, RoHS compliant



UNLESS OTHERWISE SPECIFIED ALL DIMENSIONS ARE INCHES [MM]. TOLERANCES: EXCEPT AS NOTED

INCHES		HOLES	
.x	±.10	Øx	±.10
.xx	±.020	Øxx	±.015
.xxx	±.015	Øxxx	±.010

DRAWN	OW	11/25/20
CHECKED	AC	11/25/20
APPROVED		

THIS DRAWING CONTAINS INFORMATION THAT IS PROPRIETARY AND SHOULD NOT BE USED WITHOUT PRIOR WRITTEN PERMISSION FROM ADAM TECH

**ADAM TECH** 909 Rahway Avenue, Union, NJ 07083  
 Phone: 908-687-5000 Fax: 908-687-5710

TITLE: SWITCH, PLASTIC PUSH BUTTON, SPST SOLDER TYPE

SIZE X	PART NO. SW-PB1-1XX-A-P1-X	REV. -
REF: S00204C	SCALE: NTS	SHEET 1 OF 1

D

C

B

A

6

5

4

3

2

1