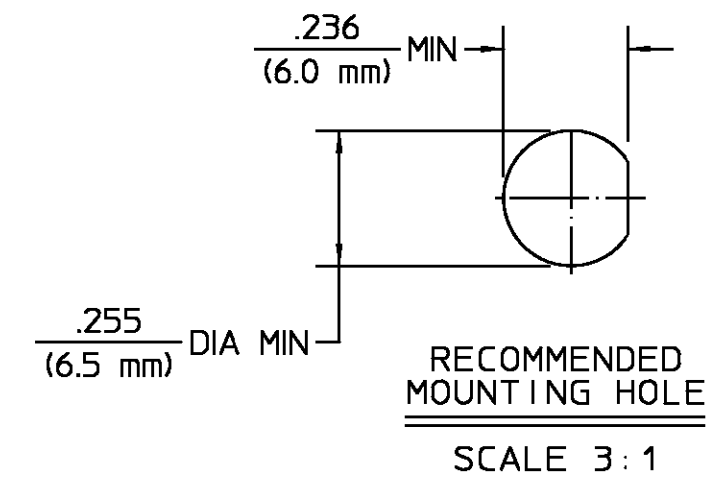


| REVISIONS       |                         |               |            |
|-----------------|-------------------------|---------------|------------|
| REV             | DESCRIPTION             | DATE          | APPROVED   |
| 01 <sub>4</sub> | REVISED PER ECN 95-0383 | JD<br>8/18/95 | <i>PRB</i> |



|                                       |   |                               |
|---------------------------------------|---|-------------------------------|
| HOUSING<br>MOUNTING NUT<br>LOCKWASHER | STAINLESS STEEL PER<br>ASTM-A484 AND ASTM-<br>A582, TYPE 303                  | GOLD PLATE PER<br>MIL-G-45204 |
| DIELECTRIC                            | TFE FLUOROCARBON<br>PER ASTM-D-1457,<br>MIL-P-19468, AND<br>FED. SPEC L-P-403 | N/A                           |
| CENTER CONTACT                        | BERYLLIUM COPPER PER<br>QQ-C-530, ALLOY 173                                   | GOLD PLATE PER<br>MIL-G-45204 |

| COMPONENT | MATERIAL | FINISH |
|-----------|----------|--------|
|-----------|----------|--------|

|   |                          |   |
|---|--------------------------|---|
| UNLESS OTHERWISE SPECIFIED<br>DIMENSIONS ARE IN INCHES<br>TOLERANCE ON<br>FRAC. DEC. ANGLES<br>± 1/64 ± .005 ± 1° | DRAWN BY BWC DATE 6/6/67 | <b>AMP</b><br>AMP Incorporated<br>140 Fourth Avenue<br>Waltham, MA 02451-7599 |
|   | CHECKED BY PRB 5/7/68    |   |
|   | APP'D BY DN 5/7/68       |   |

|  |                    |   |                     |
|--|--------------------|---|---------------------|
| These drawings and specifications are the property of M/A-COM incorporated and shall not be reproduced or copied or used in whole or in part as the basis for the manufacture or sale of item(s) without written permission. | USE ASSY PROCEDURE | TITLE OSM BULKHEAD FEEDTHRU FRONT MOUNT JACK RECEPTACLE SOLDER POT TERMINAL |                     |
|  | NO. AP. <u>N/A</u> | SIZE B  | REV 01 <sub>4</sub> |
|  |                    | CODE IDENT NO. 26805  | 2058-0000-00        |
|  | SCALE 6:1          | SHEET 1 OF 1  |                     |

NOTES:  
1. CAPTURED CENTER CONTACT