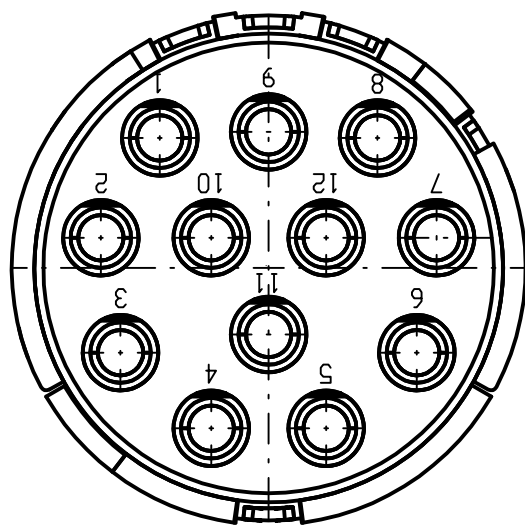
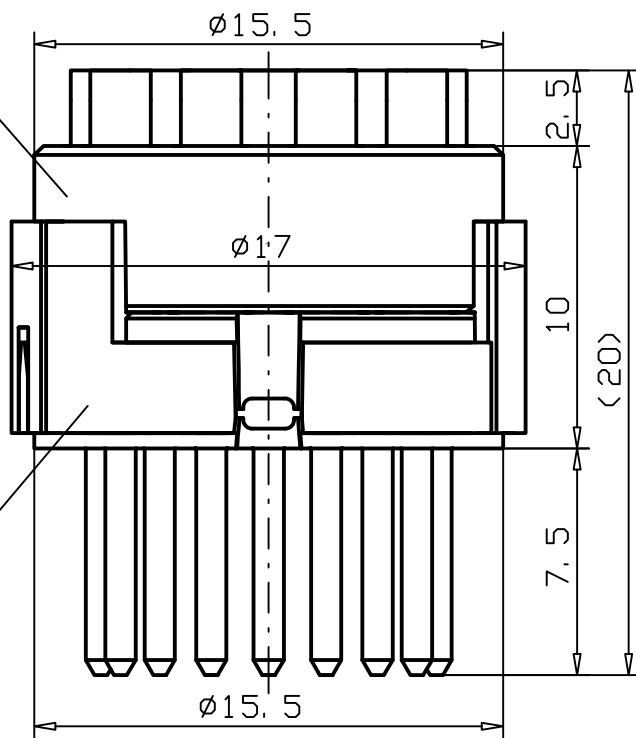


Lower part, Pins  
Unterteil, Stifte

Upper part, Pins  
Oberteil, Stifte



Notes:

Packaging units: 5 pcs

Tolerances (unless specified): DIN ISO 2768 m

Bemerkungen:

Verpackungseinheit: 5 Stück

Toleranzen (sofern nichts anderes angegeben ist):  
DIN ISO 2768 m

DESCRIPTION EC NO: WEU2008-0019 DRWN: BBRAUCH 2008/05/13 CHKD: LS 2008/05/21 APPR: REISSNER 2008/05/27	QUALITY SYMBOLS	GENERAL TOLERANCES (UNLESS SPECIFIED)		DIMENSION STYLE		SCALE	DESIGN UNITS	FIRST ANGLE PROJECTION
	▽ = 0	mm	INCH	MM		4:1	METRIC	
	∇ = 0	4 PLACES ±----	±----	DRAWN BY	DATE	M23 SIG INSERT MALE 12P SOLDER P/N: KISC6-55		
		3 PLACES ±----	±----	BB	2008/05/13			
	2 PLACES ±----	±----	CHECKED BY	DATE	MOLEX INCORPORATED			
	1 PLACE ±----	±----	---	---				
		ANGULAR ± --- °	APPROVED BY	DATE	MATERIAL NO. 1202320044		DOCUMENT NO. SD-120232-044	SHEET NO. 1 OF 1
		DRAFT WHERE APPLICABLE MUST REMAIN WITHIN DIMENSIONS	RE	2008/05/21	THIS DRAWING CONTAINS INFORMATION THAT IS PROPRIETARY TO MOLEX INCORPORATED AND SHOULD NOT BE USED WITHOUT WRITTEN PERMISSION			
01	REV				SIZE			
					A4			