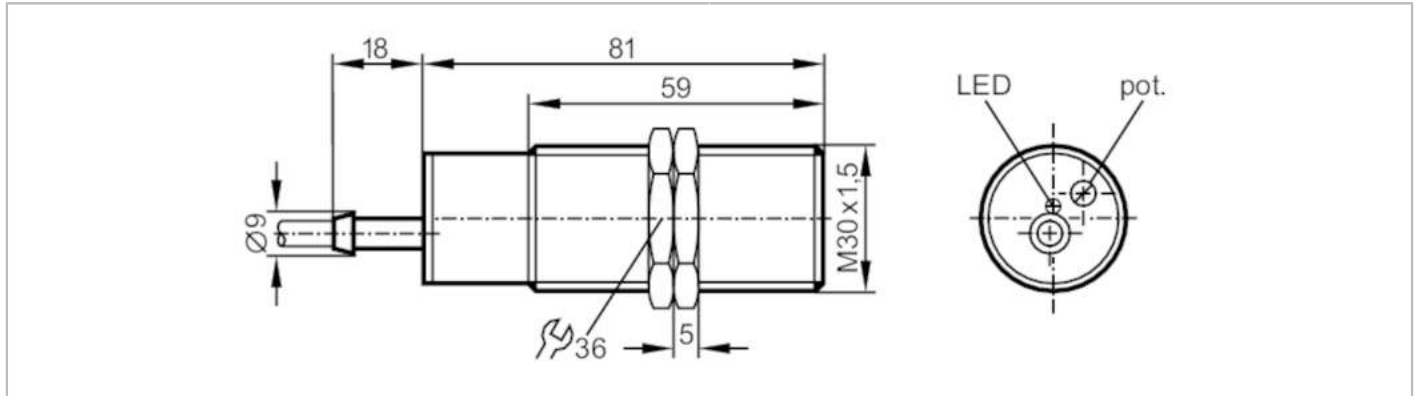


KI5207



Capacitive sensor

KI-3015-FPKG/NI RT



Product characteristics

Electrical design	PNP
Output function	normally open / normally closed; (selectable)
Sensing range [mm]	3...15
Housing	threaded type
Dimensions [mm]	M30 x 1.5 / L = 81

Electrical data

Operating voltage [V]	10...36 DC
Current consumption [mA]	13; (24 V)
Protection class	II
Reverse polarity protection	yes

Outputs

Electrical design	PNP
Output function	normally open / normally closed; (selectable)
Max. voltage drop switching output DC [V]	2.5
Permanent current rating of switching output DC [mA]	250
Switching frequency DC [Hz]	40
Short-circuit proof	yes
Overload protection	yes

Detection zone

Sensing range [mm]	3...15
Sensing range adjustable	yes
Factory setting sensing range [mm]	15
Real sensing range Sr [mm]	15 ± 10 %
Operating distance [mm]	0...12.1

Accuracy / deviations

Correction factor	glass: 0.4 / water: 1 / ceramics: 0.2 / PVC: 0.2
Hysteresis [% of Sr]	1...15
Switch point drift [% of Sr]	-15...15

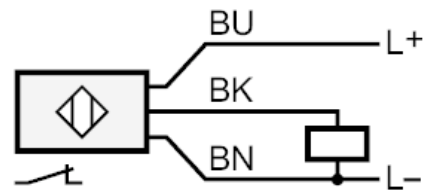
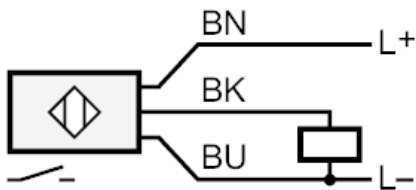
KI5207



Capacitive sensor

KI-3015-FPKG/NI RT

Operating conditions		
Ambient temperature	[°C]	-25...70
Protection		IP 65
Increased immunity		yes; (increased immunity to conducted radio frequency interference)
Tests / approvals		
EMC		EN 60947-5-2
MTTF	[years]	692
Mechanical data		
Weight	[g]	181
Housing		threaded type
Mounting		non-flush mountable
Dimensions	[mm]	M30 x 1.5 / L = 81
Thread designation		M30 x 1.5
Materials		PBT
Displays / operating elements		
Display	switching status	1 x LED, red
Accessories		
Items supplied		lock nuts: 2 screwdriver: 1
Remarks		
Pack quantity		1 pcs.
Electrical connection		
Cable: 2 m, PVC; 3 x 0.5 mm ²		
Connection		



Core colours :
BK = black
BN = brown
BU = blue