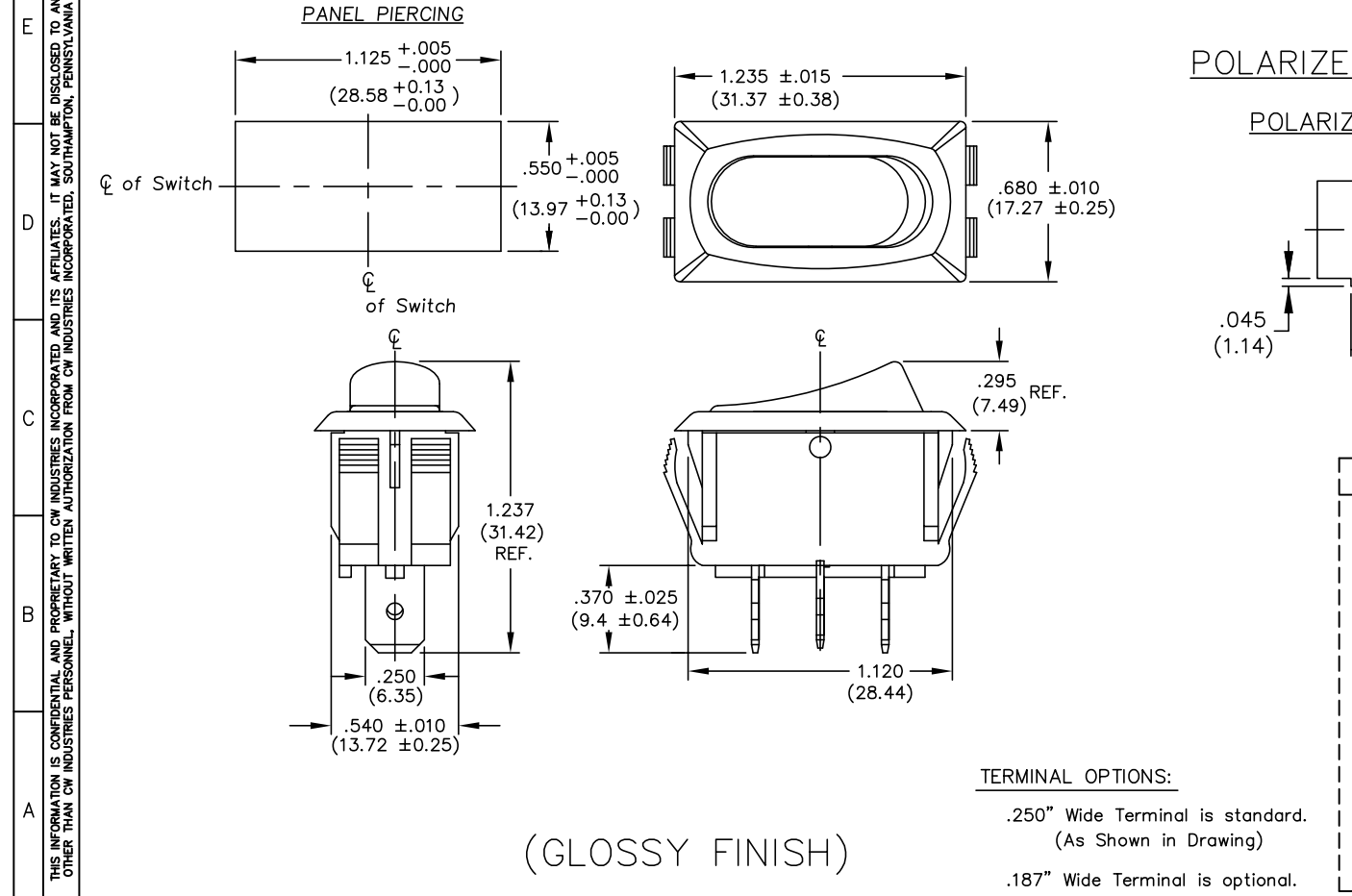


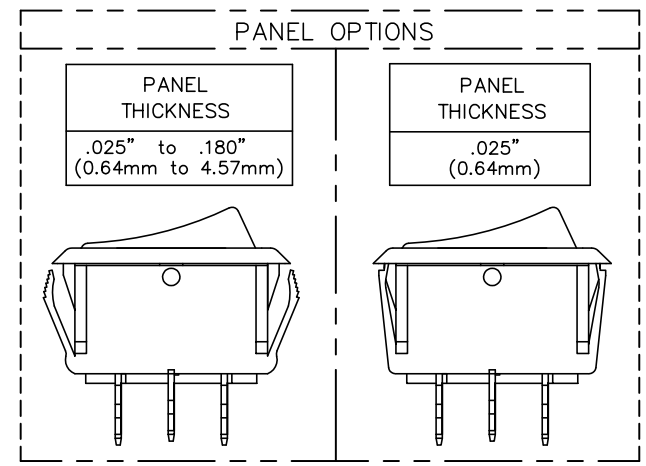
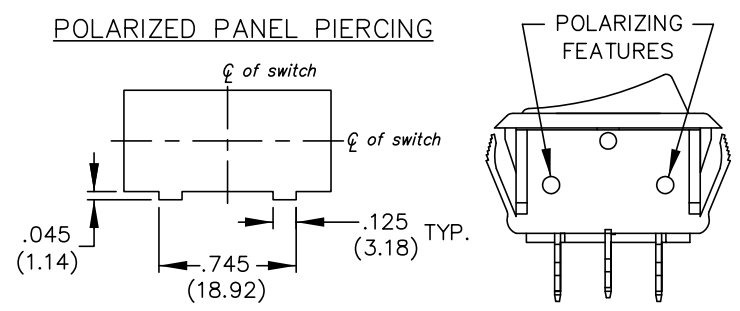
THIS INFORMATION IS CONFIDENTIAL AND PROPRIETARY TO CW INDUSTRIES INCORPORATED AND ITS AFFILIATES. IT MAY NOT BE DISCLOSED TO ANYONE, OTHER THAN CW INDUSTRIES PERSONNEL, WITHOUT WRITTEN AUTHORIZATION FROM CW INDUSTRIES INCORPORATED, SOUTHAMPTON, PENNSYLVANIA USA.

DIMENSIONS IN INCHES (MILLIMETERS)  
DO NOT SCALE DRAWING .....

Dwg. No.  
GRS-2012-25XX



POLARIZED OPTION



TERMINAL OPTIONS:

.250" Wide Terminal is standard.  
(As Shown in Drawing)

.187" Wide Terminal is optional.

B-FORMAT 2002	REVISIONS									
---------------	-----------	--	--	--	--	--	--	--	--	--

PDF FILE MADE	<b>CW INDUSTRIES</b> Southampton, Pa. 18966	Title: <b>ROCKER SWITCH S.P.D.T. ASSEMBLY STYLE LINE 1.125" x .550" PANEL</b>
	TOLERANCES UNLESS OTHERWISE SPECIFIED	
	2 Place Decimal $\pm 0.010$ 3 Place Decimal $\pm 0.005$ Angles ..... $\pm 1^\circ$	METRIC 1 Place Dec. $\pm 0.25$ mm 2 Place Dec. $\pm 0.13$ mm
	Made for: CW IND.	Division: SWITCH
Drawn by: DGW 7-09-2010	Dwg. No. GRS-2012-25XX	
Checked by:		
Approval:		