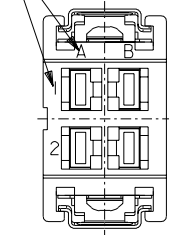
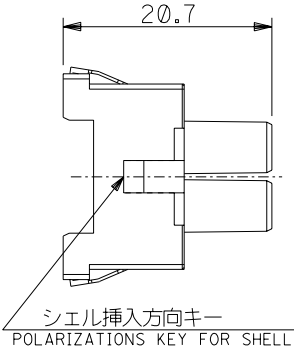


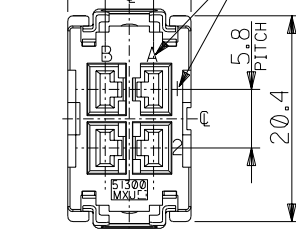
回路番号表示
CKT.No.IDENTIFICATION



電線挿入側
WIRE SIDE

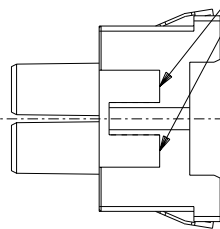


回路番号表示
CKT.No.IDENTIFICATION



嵌合側
MATING SIDE

シェル挿入方向キー
POLARIZATIONS KEY FOR SHELL



注記
NOTES

- 材質
MATERIAL
①ハウジング：ガラス入りPBT樹脂
HOUSING : PBT G.F.
UL94V-0 色：黒
UL94V-0 COLOR : BLACK
②スプリング：ステンレス鋼 t0.3
SPRING : STAINLESS STEEL t0.3
- 適用端子：56194-9*85
APPLICABLE CRIMP SOCKET : 56194-9*85
- 適用リセプタクル シェル：56377-12**
APPLICABLE RECEPTACLE SHELL : 56377-12**
- 嵌合相手：55891-040*
MEET WITH : 55891-040*

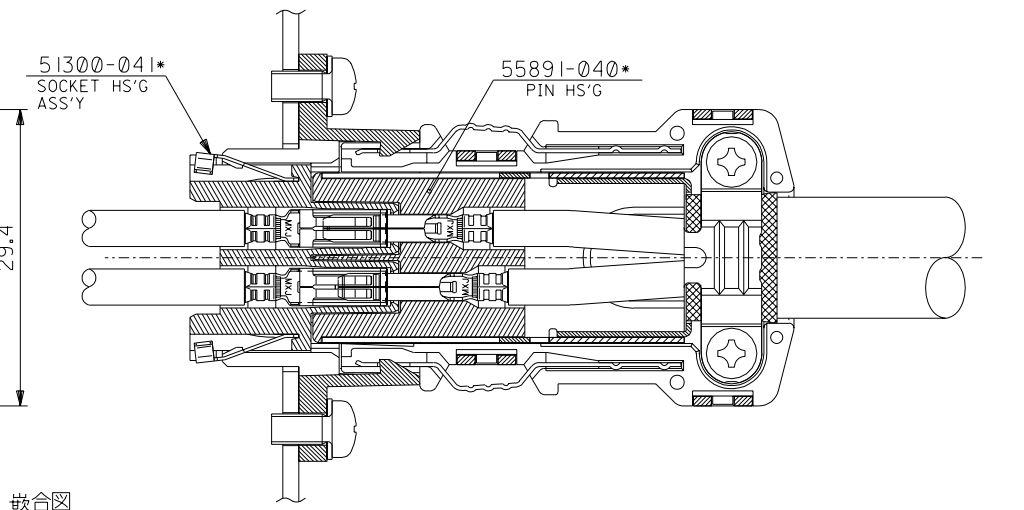
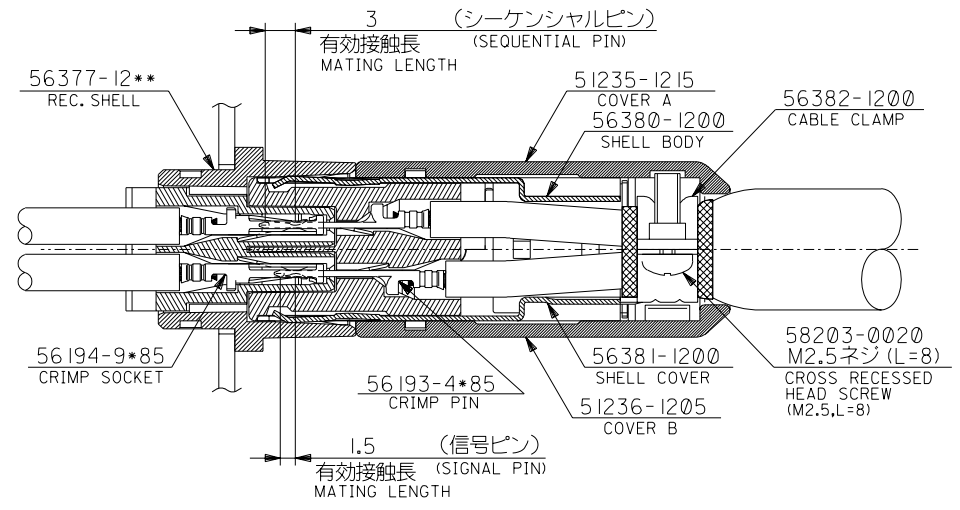
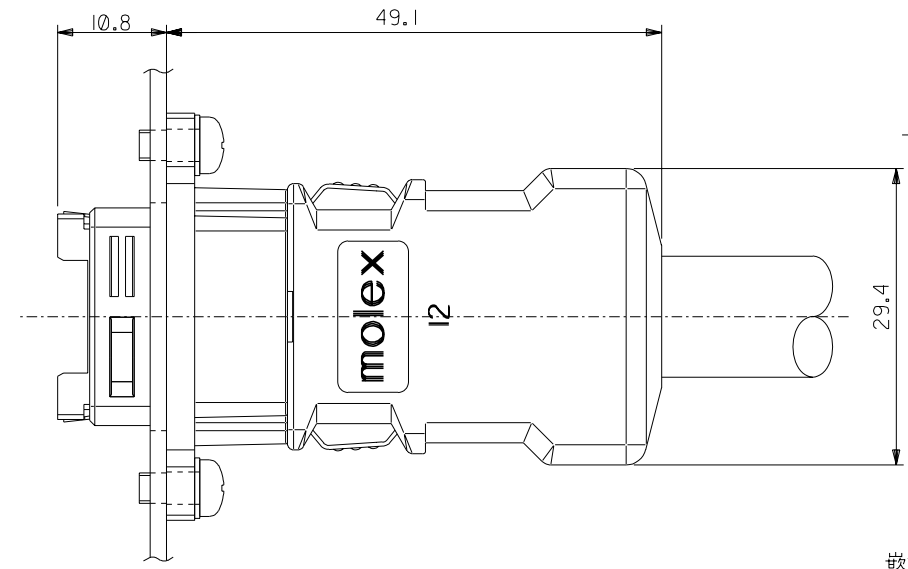
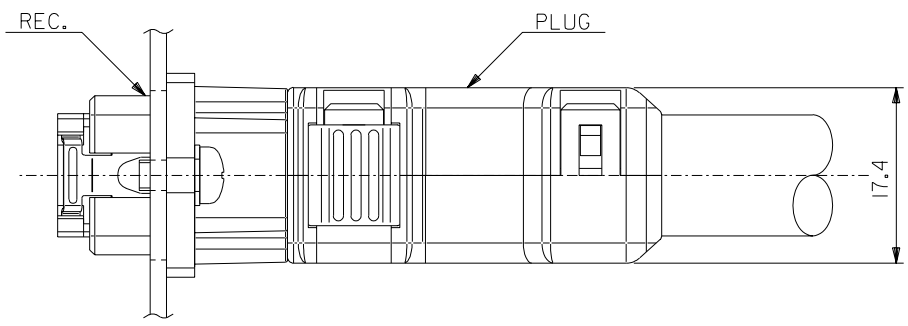
<誤嵌合防止キー（極性）タイプ>
<POLARITY KEY TYPE>

51300-0411	51300-0412	51300-0413	51300-0414
A TYPE (CKT No. A-1)	B TYPE (CKT No. A-2)	C TYPE (CKT No. B-1)	D TYPE (CKT No. B-2)

D	51300-0414	51300-041*	4
C	51300-0413		
B	51300-0412		
A	51300-0411		
POLARITY TYPE	MATERIAL No.	MODEL No.	CIRCUIT

DO NOT SCALE DRAWING

EC NO. DRWN: CHK: APPR:	EC NO. DRWN: CHK: APPR:	EC NO. DRWN: CHK: APPR:	REVISED 02/04/15 EC NO. J2002-2601 DRWN: S.AKIYAMA CHK: J.MIYAZAWA APPR: YO.ITO	0 RELEASED 01/10/12 EC NO. J2002-0854 DRWN: S.AKIYAMA CHK: J.MIYAZAWA APPR: YO.ITO	DESCRIPTION MATERIAL 材料 FINISH 仕上げ WIRE RANGE 適用電線範囲 INS. RANGE 被覆外径	注記参照 SEE NOTES #	GENERAL TOLERANCES: (UNLESS SPECIFIED) 一般公差 10 UNDER 未満 ±0.2 10 OVER 30 UNDER 未満 ±0.25 30 OVER 以上 ±0.3 ANGLE 角度 ±3°	SCALE 2-1 DESIGN UNITS <input checked="" type="checkbox"/> mm <input type="checkbox"/> INCH THIRD ANGLE PROJECTION <input checked="" type="checkbox"/> mm ONLY	TITLE: COMPACT ROBOT CONN. POWER REC. SOCKET HS'G ASS'Y MOLEX MOLEX INCORPORATED	CAD FILENAME 51300003.S01	MATERIAL NO. SEE CHART	DRAWING NO. SD-51300-003	SHEET NO. 1 OF 4	SIZE B
----------------------------------	----------------------------------	----------------------------------	---	---	--	------------------------	---	--	---	------------------------------	---------------------------	-----------------------------	---------------------	-----------



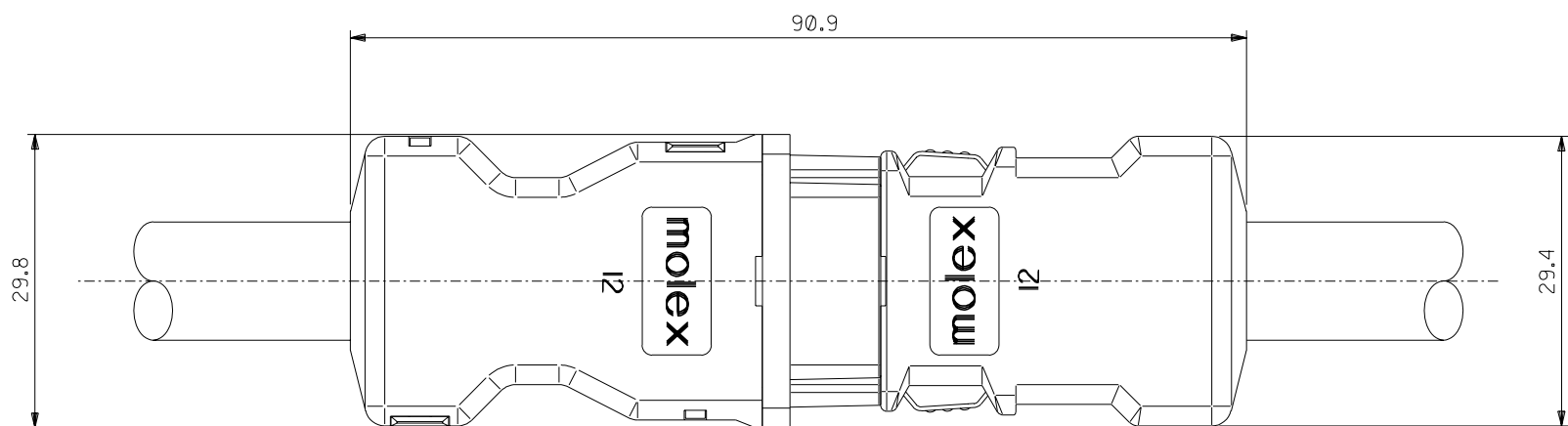
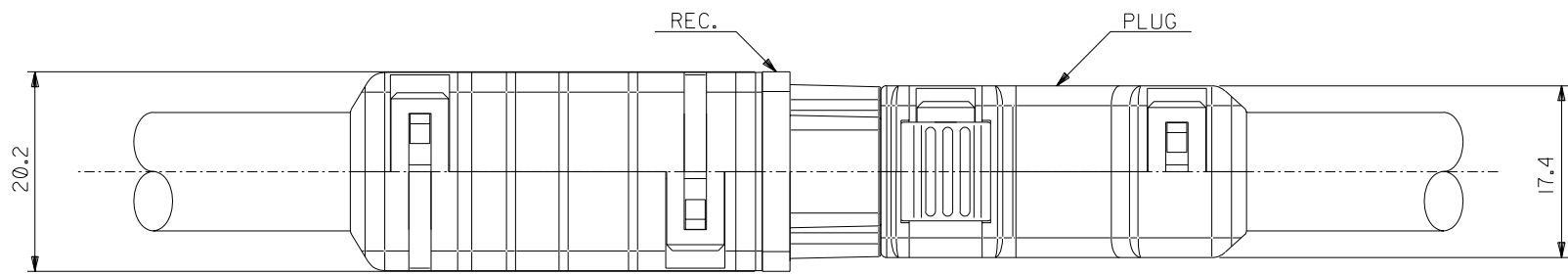
嵌合図
CROSS-SECTION VIEW OF MATED CONNECTOR

DO NOT SCALE DRAWING

EC NO. DRWN: CHK: APPR:		EC NO. DRWN: CHK: APPR:		EC NO. DRWN: CHK: APPR:		REVISED 02/04/15 EC NO. J2002-2601 DRWN: S.AKIYAMA CHK: J.MIYAZAWA APPR: YO.ITO		A		REVISED 01/10/12 EC NO. J2002-0854 DRWN: S.AKIYAMA CHK: J.MIYAZAWA APPR: YO.ITO		0		REVISIONS		MATERIAL 材料		GENERAL TOLERANCES: (UNLESS SPECIFIED) 一般公差		SCALE 2-1		DESIGN UNITS <input checked="" type="checkbox"/> mm <input type="checkbox"/> INCH		THIRD ANGLE PROJECTION <input type="checkbox"/> mm <input type="checkbox"/> INCH <input checked="" type="checkbox"/> mm ONLY		DIMENSIONS: <input type="checkbox"/> mm <input type="checkbox"/> INCH		SHT REVISE ON CAD ONLY		REV			
						DESCRIPTION		注記参照 SEE NOTES				FINISH 仕上げ		#		WIRE RANGE 適用線径範囲		#		10 UNDER 未満		±0.2		DRAWN BY & DATE S. Akiyama 01/10/11		TITLE: COMPACT ROBOT CONN. POWER REC. SOCKET HS'G ASS'Y							
																		10 OVER 30 UNDER 以上 未満		±0.25		CHECKED BY & DATE Y. Ito		MATERIAL NO. SEE CHART		DRAWING NO. SD-51300-003		SHEET NO. 2 OF 4					
																		30 OVER 以上		±0.3		APPROVED BY & DATE Y. Ito		MOLEX MOLEX INCORPORATED									
																		ANGLE 角度		±3°		CAD FILENAME 51300003.S02											

THIS DRAWING CONTAINS INFORMATION THAT IS PROPRIETARY TO MOLEX INCORPORATED AND SHOULD NOT BE USED WITHOUT WRITTEN PERMISSION.

DWG. NO.
SD-51300-003



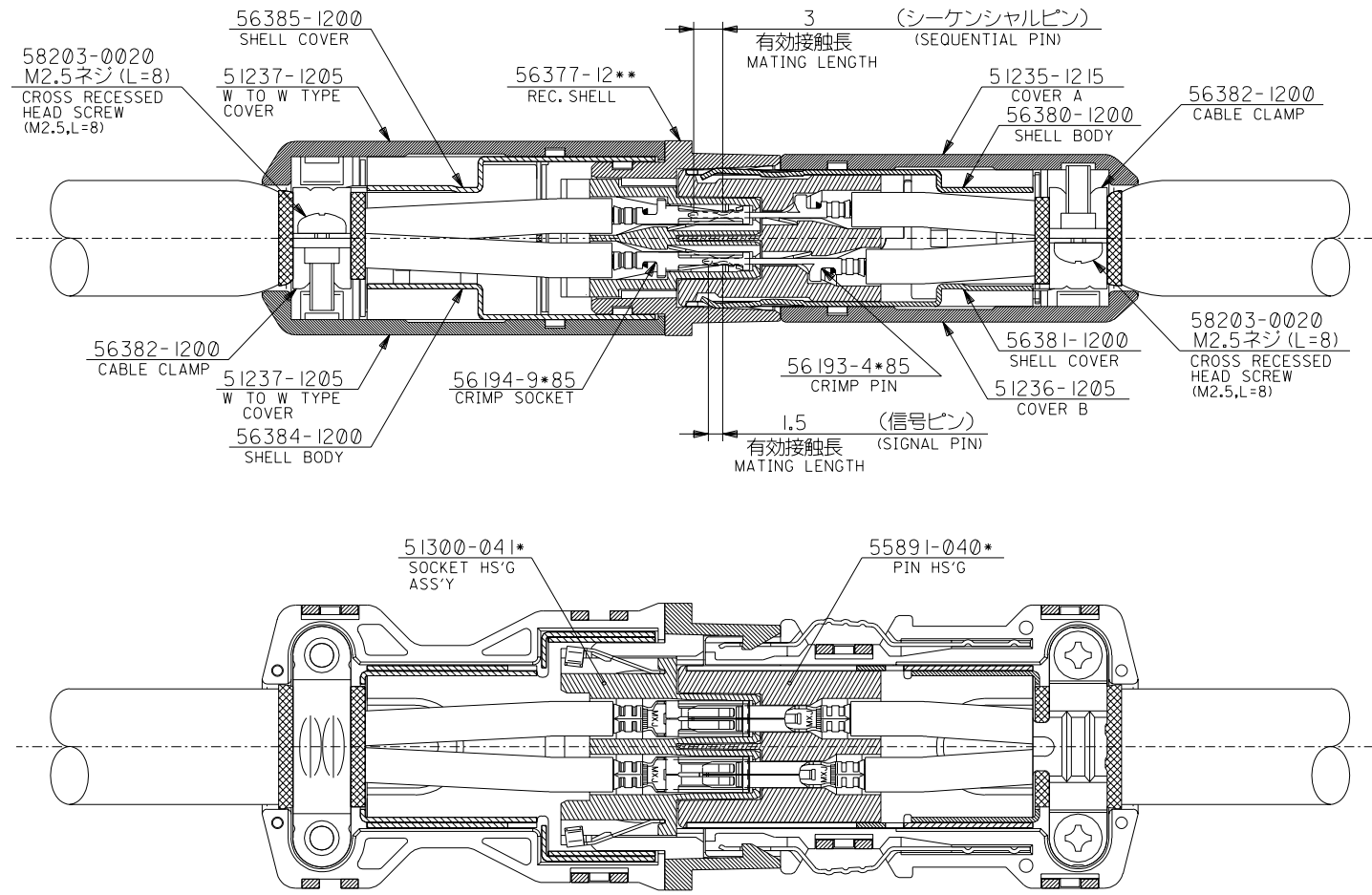
嵌合図 (中継タイプ)
CROSS-SECTION VIEW OF MATED CONNECTOR
(WIRE TO WIRE TYPE)

DO NOT SCALE DRAWING

EC NO. DRWN: CHK: APPR:	EC NO. DRWN: CHK: APPR:	EC NO. DRWN: CHK: APPR:	REVISED '02/04/15	MATERIAL 材料	GENERAL TOLERANCES: (UNLESS SPECIFIED) 一般公差	SCALE	DESIGN UNITS	THIRD ANGLE PROJECTION	DIMENSIONS:		SHT	REV
			EC NO. J2002-2601 DRWN: S.AKIYAMA CHK: J.MIYAZAWA APPR: YO.ITO			10 UNDER 未滿	2-1		<input type="checkbox"/> mm <input type="checkbox"/> INCH	<input checked="" type="checkbox"/> mm <input type="checkbox"/> ONLY	REVISION	DATE
A	0	0	RELEASED '01/10/12	FINISH 仕上げ	SEE NOTES	10 OVER 30 UNDER 以上 未滿	<input checked="" type="checkbox"/> mm <input type="checkbox"/> INCH	TITLE:	COMPACT ROBOT CONN. POWER REC. SOCKET HS'G ASS'Y		3	OF 4
			EC NO. J2002-0854 DRWN: S.AKIYAMA CHK: J.MIYAZAWA APPR: YO.ITO			30 OVER 以上	MOLEX INCORPORATED		DRAWING NO.	SHEET NO.		
				WIRE RANGE 適用配線範囲	—	ANGLE 角度	±3°	CAD FILENAME	MATERIAL NO.	DRAWING NO.	THIS DRAWING CONTAINS INFORMATION THAT IS PROPRIETARY TO MOLEX INCORPORATED AND SHOULD NOT BE USED WITHOUT WRITTEN PERMISSION.	
				INS. RANGE 被覆外径	—			51300003.S03	SEE CHART	SD-51300-003	EN-02J(097) MXJ-54	

51300003.S03

DWG. NO.
SD-51300-003



嵌合図 (中継タイプ)
CROSS-SECTION VIEW OF MATED CONNECTOR
(WIRE TO WIRE TYPE)

DO NOT SCALE DRAWING

EC NO. DRWN: CHK: APPR:	EC NO. DRWN: CHK: APPR:	EC NO. DRWN: CHK: APPR:
REVISED '02/04/15	REVISED '01/10/12	
EC NO. J2002-2601	EC NO. J2002-0854	
DRWN: S.AKIYAMA	DRWN: S.AKIYAMA	
CHK: J.MIYAZAWA	CHK: J.MIYAZAWA	
APPR: Y.O.ITO	APPR: Y.O.ITO	

A	0	
DESCRIPTION		
MATERIAL 材料		
FINISH 仕上げ	#	
WIRE RANGE 適用電線範囲	#	
INS. RANGE 被覆外径	#	

注記参照
SEE NOTES

GENERAL TOLERANCES: (UNLESS SPECIFIED) 一般公差	SCALE 2-1	DESIGN UNITS <input checked="" type="checkbox"/> mm <input type="checkbox"/> INCH
10 UNDER 未満	±0.2	
10 OVER 30 UNDER 未満	±0.25	
30 OVER 以上	±0.3	
ANGLE 角度	±3°	

DRAWN BY & DATE
S. Akigama '01/10/11

CHECKED BY & DATE
J. Morawo

APPROVED BY & DATE
Y. Ota

CAD FILENAME
51300003.S04

DIMENSIONS:
mm INCH mm ONLY

SHT REV
REVISE ON CAD ONLY

TITLE:
COMPACT ROBOT CONN.
POWER REC. SOCKET HS'G ASS'Y

MOLEX INCORPORATED

MATERIAL NO. SEE CHART
DRAWING NO. SD-51300-003
SHEET NO. 4 OF 4

THIS DRAWING CONTAINS INFORMATION THAT IS PROPRIETARY TO MOLEX INCORPORATED AND SHOULD NOT BE USED WITHOUT WRITTEN PERMISSION.

SIZE B

51300003.S04