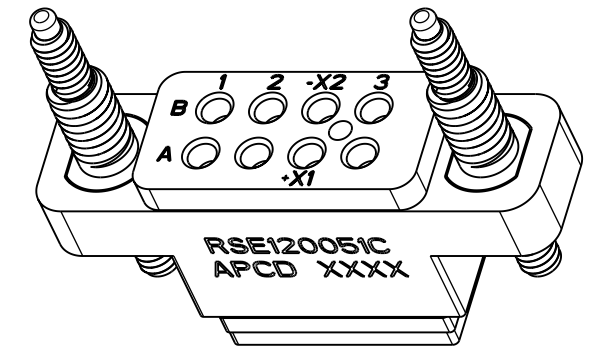
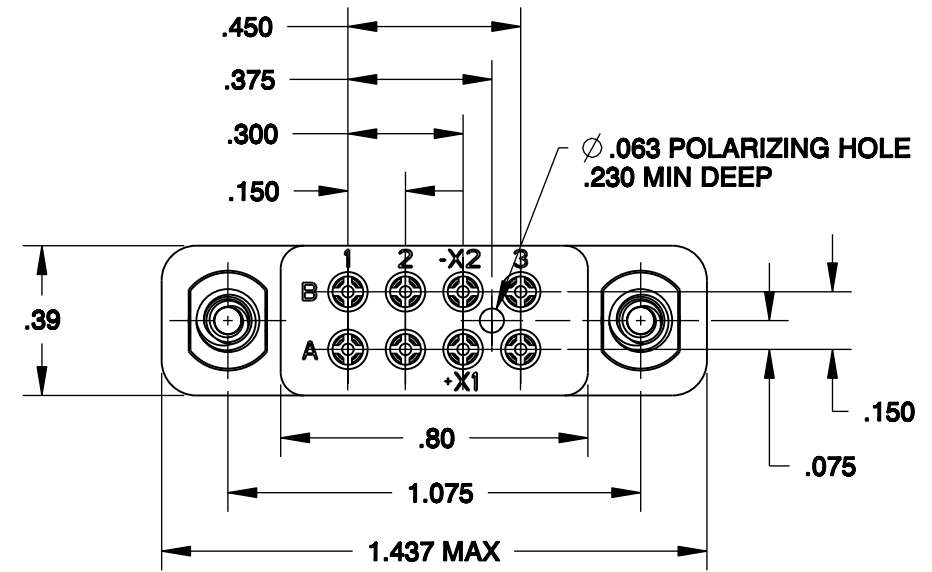
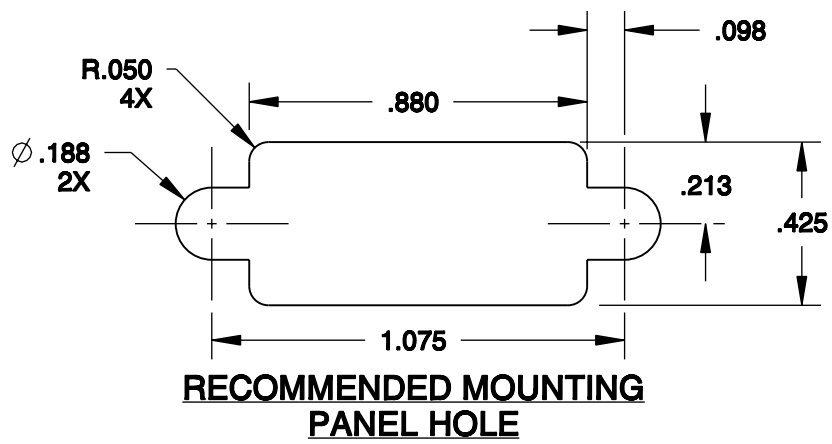
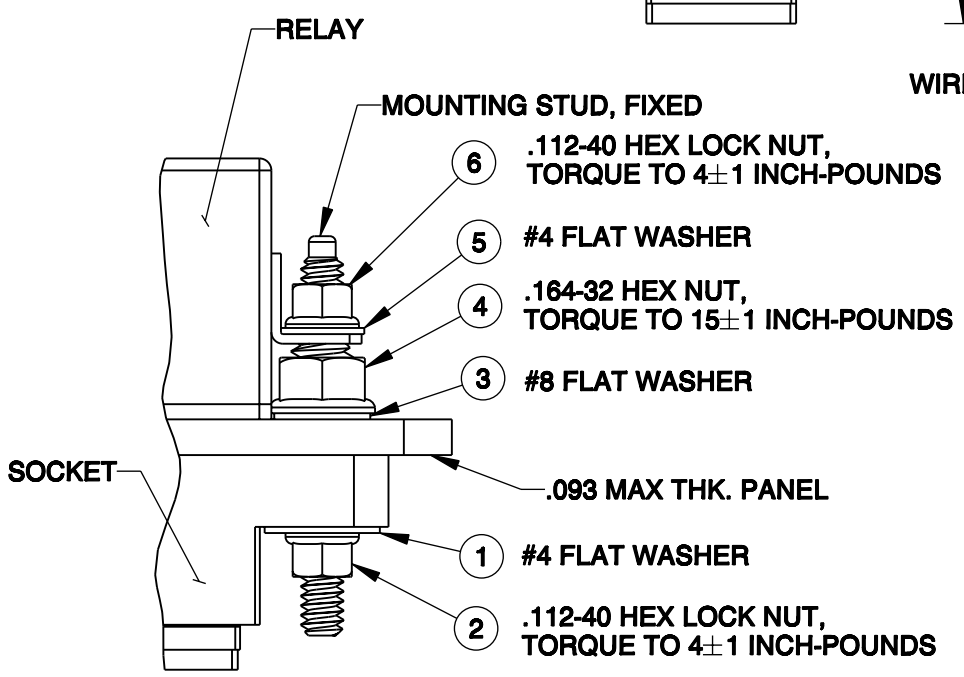
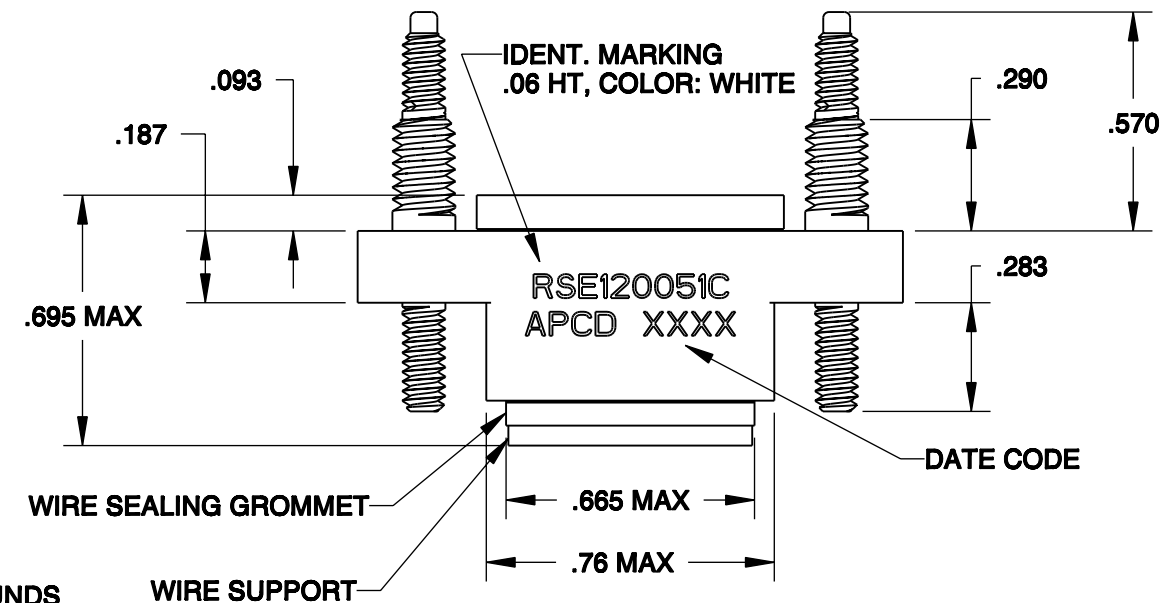
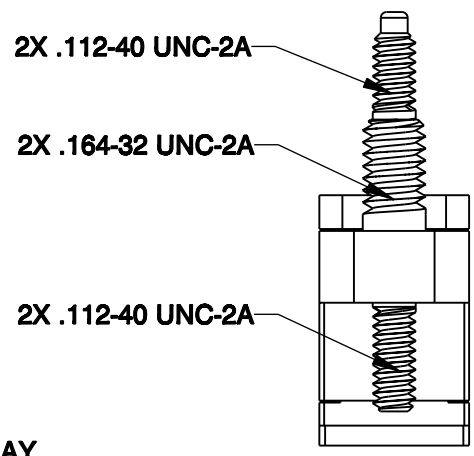


RSE120051C

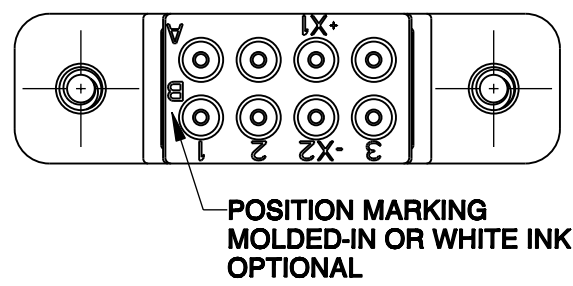
REV	ECN	APP'D
-	3709	JC 3/26/99
A	5252	JT 6/5/03
B	5460	JT 5/24/04
C	5579	JT 01/06/05
D	5582	



- NOTES:**
- CONFORMS TO PERFORMANCE REQUIREMENTS OF MIL-S-12883.
  - MATERIALS:**  
 HOUSING AND WIRE SUPPORT: POLYETHERIMIDE  
 COLOR: BLUE-GREEN  
 GROMMET: SILICONE ELASTOMER, COLOR: RED
  - COMPLETE MOUNTING HARDWARE SUPPLIED PER TABLE.
  - SOCKET CONTACTS SUPPLIED PER TABLE.
  - OPERATING TEMPERATURE: +125° C / -65° C CONTINUOUS.
  - CONTACT INSTALLATION TOOLS:  
 CRIMP TOOL: M22520/7-01  
 POSITIONER: M22520/7-12  
 INSERTION/REMOVAL: M81969/16-01



**MOUNTING HARDWARE  
 INSTALLATION SWQUENCE BY ITEM NUMBER  
 TYP 2 PLACES**



BILL OF MATERIALS		
APCD P/N	DESCRIPTION	QTY.
200003801	HEX NT SLF-LCKG 4-40 #704	4
200000401	FLT WSHR #4 SPCL #706	2
200007201	HEX NUT SLF-LCKG #8-32	2
200004001	FLT WSHR #8 PSVTD #501	2
200002801	FLT WSHR #4 PSTVD #504	2
CNS101553	M39029/101-553 CONTACT SZ20/20	8

<b>DIMENSIONS</b> ANSI Y14.5M UNITS: INCHES Pro/E FILE	<b>TOLERANCES</b> .XX ±0.01 .XXX ±0.005 ANGLES ±2.0°	<b>PROJECTION</b> 	<b>Amphenol Pcd</b> SPECIFICATION DRAWING ENGR A. PATRIE 03/25/99 CHKD J. RUTKOWSKI APPD J. TON 06/05/03
ORIGINAL	THIS DOCUMENT CONTAINS PROPRIETARY INFORMATION WHICH IS THE CONFIDENTIAL PROPERTY OF PCD, INC. PEABODY, MA, USA		SIZE B DWG NO. RSE120051C REV D

TITLE <b>RELAY SOCKET, EMBRAER, 2- POLE, 8 POSITION, 5-AMP, SIZE 20</b>		
CODE: 58982	SCALE: 2:1	SHEET 1 OF 1

RSE120051C

RSE120051C