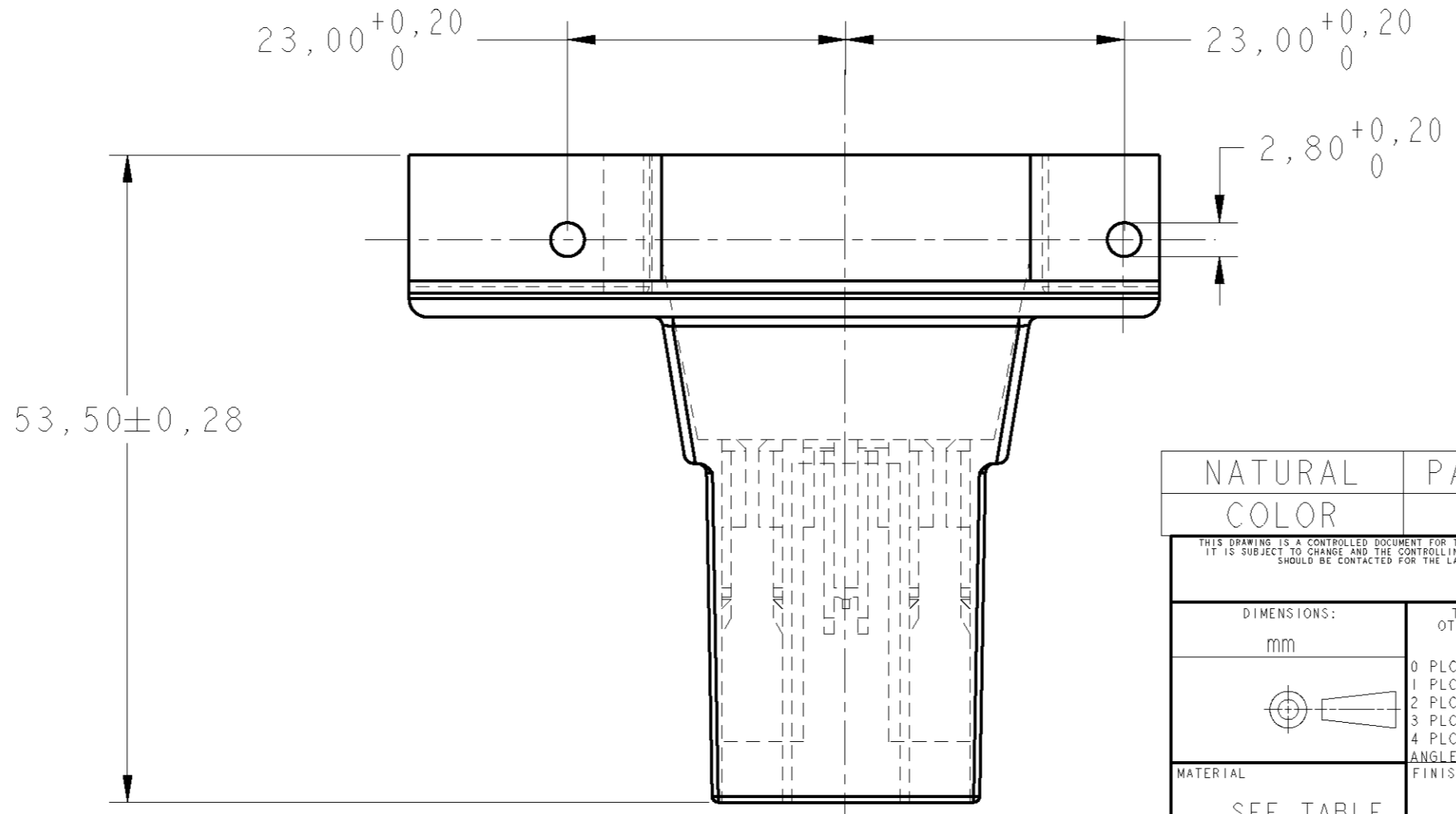
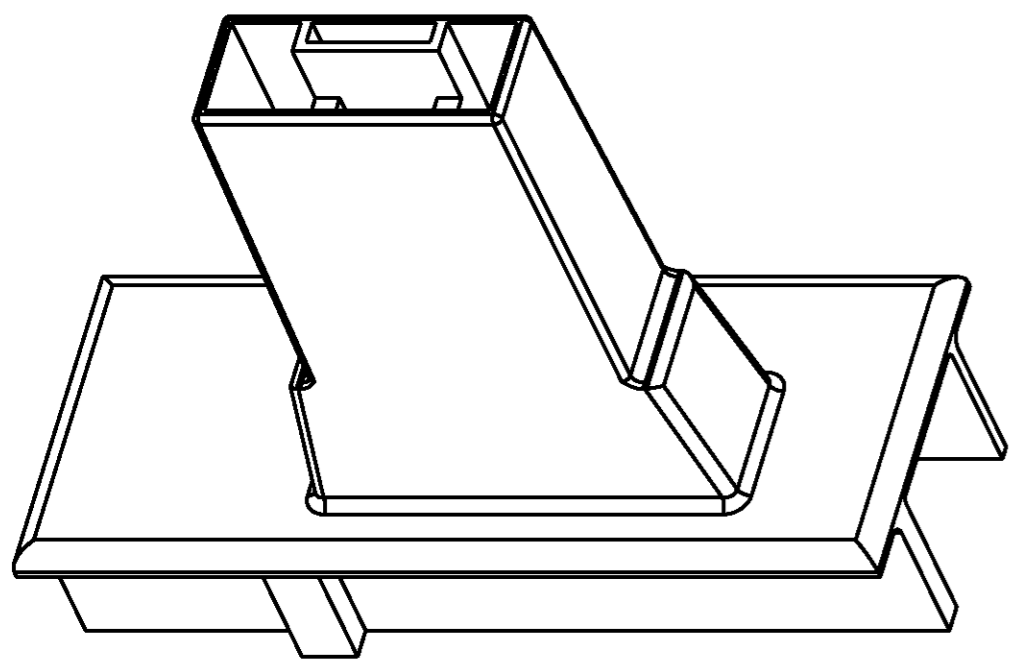
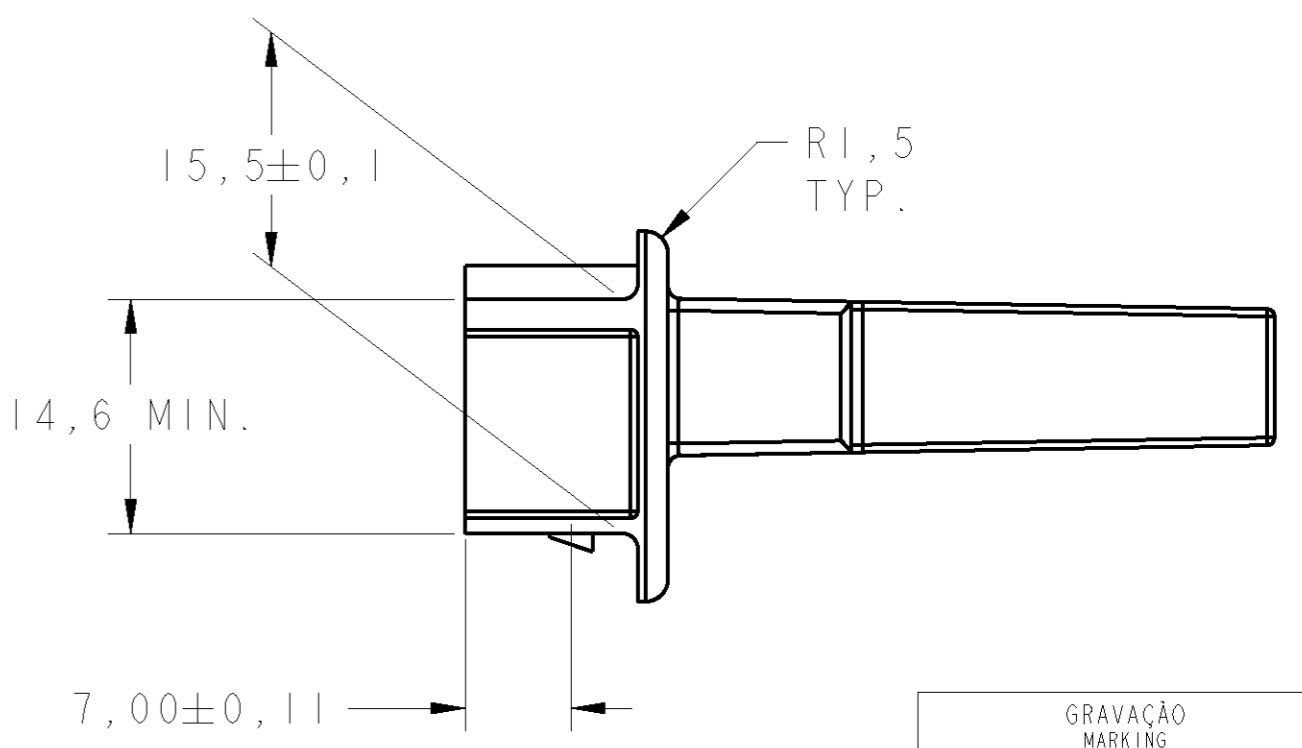
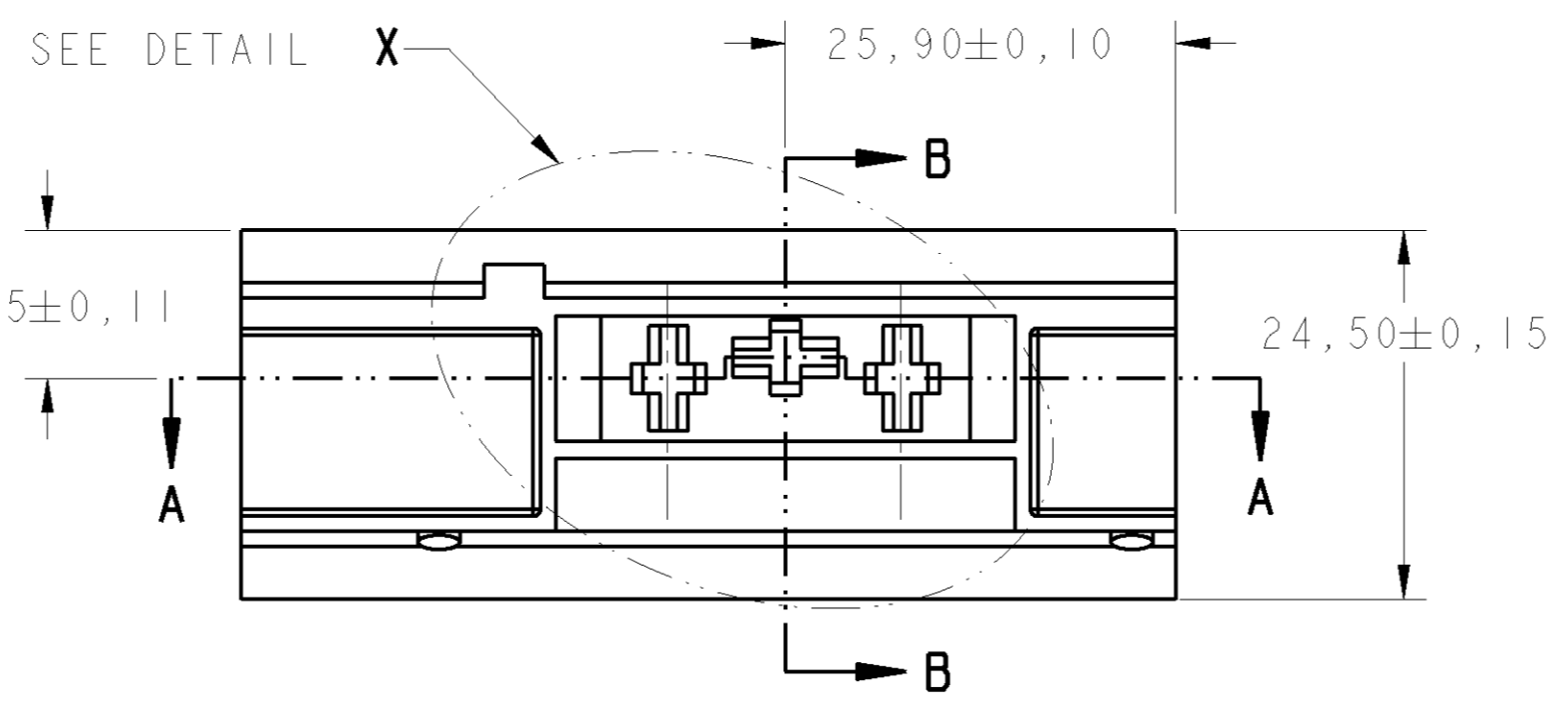
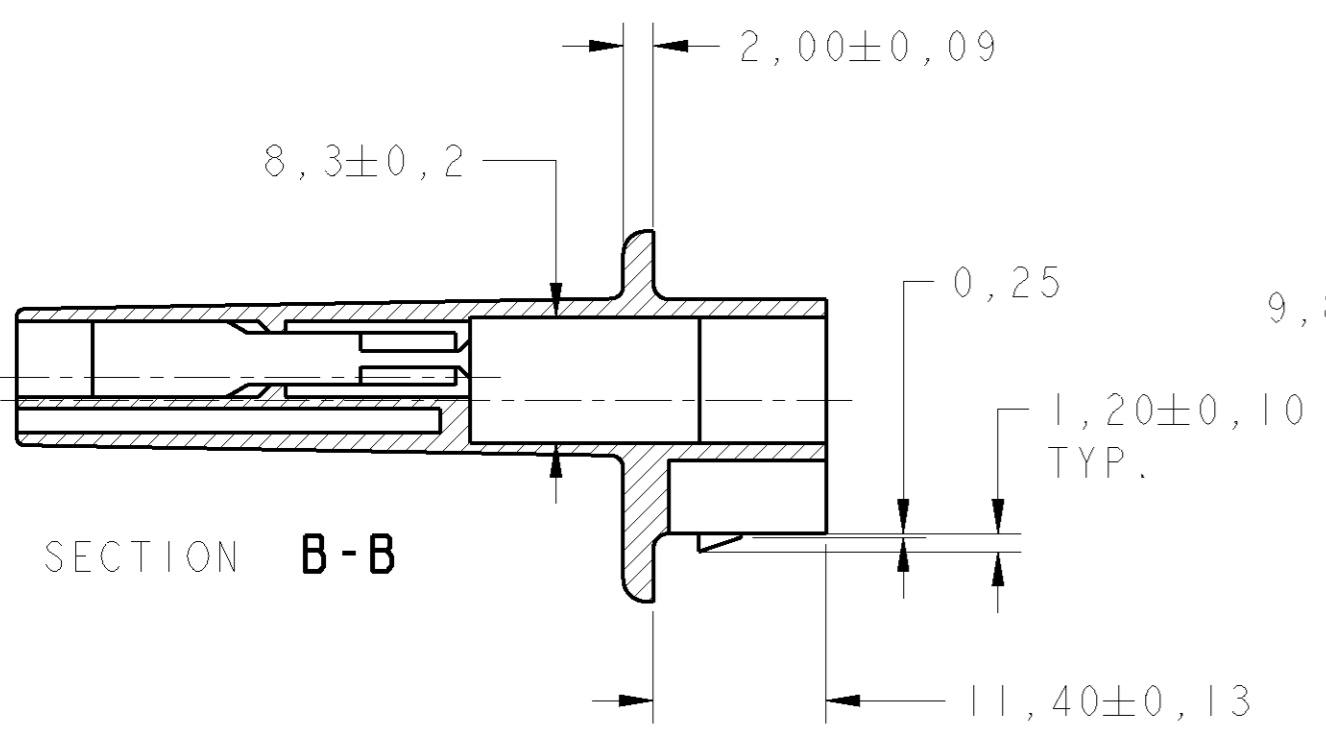
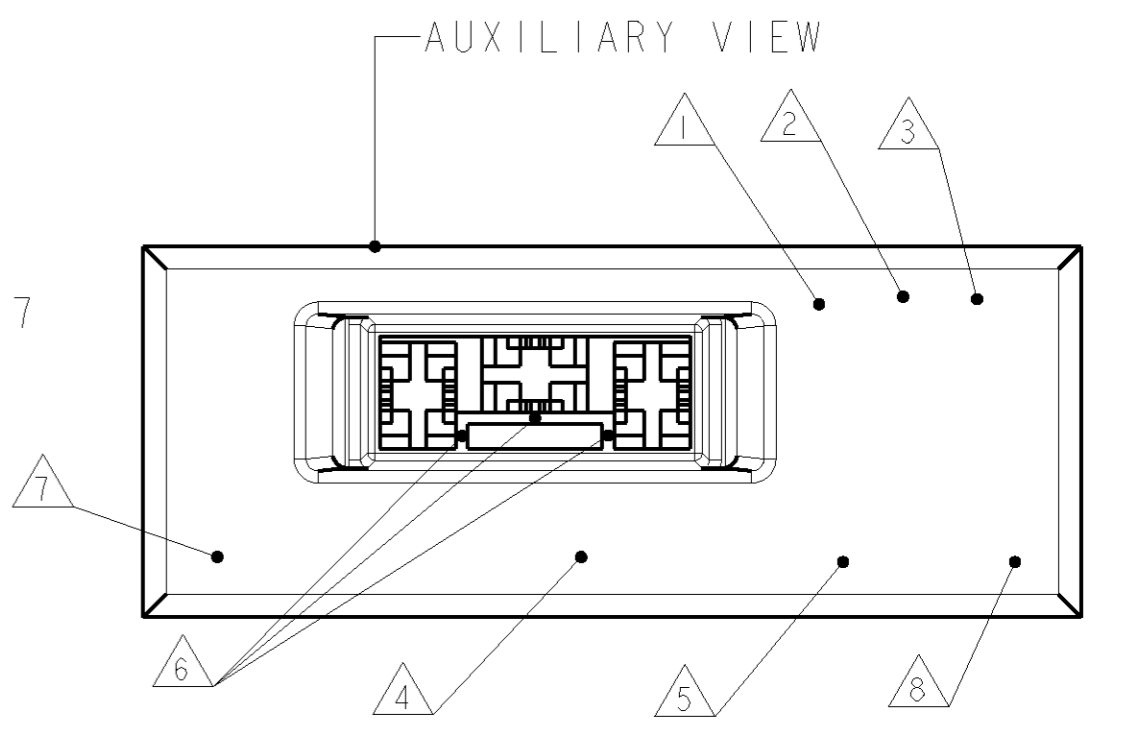
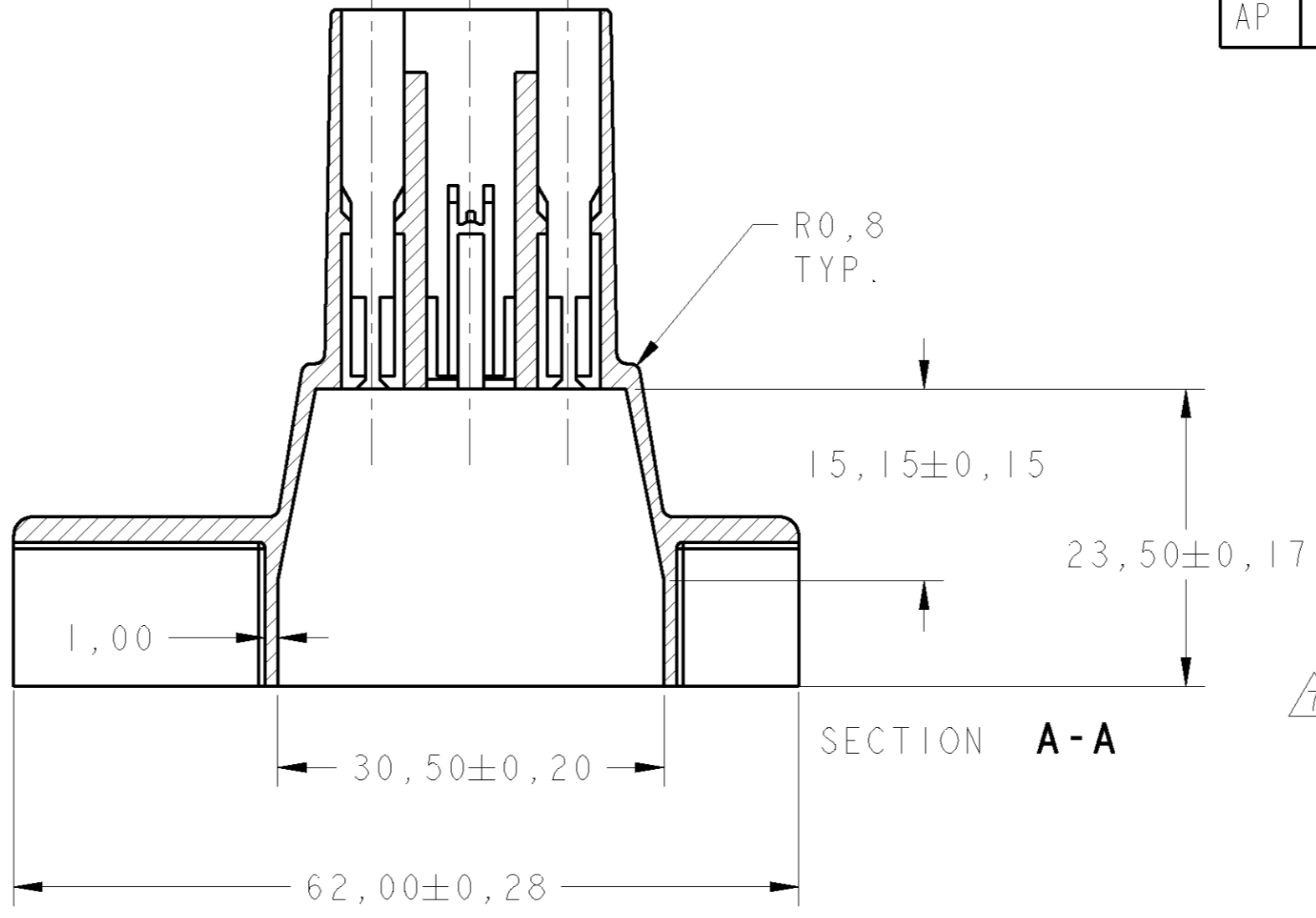
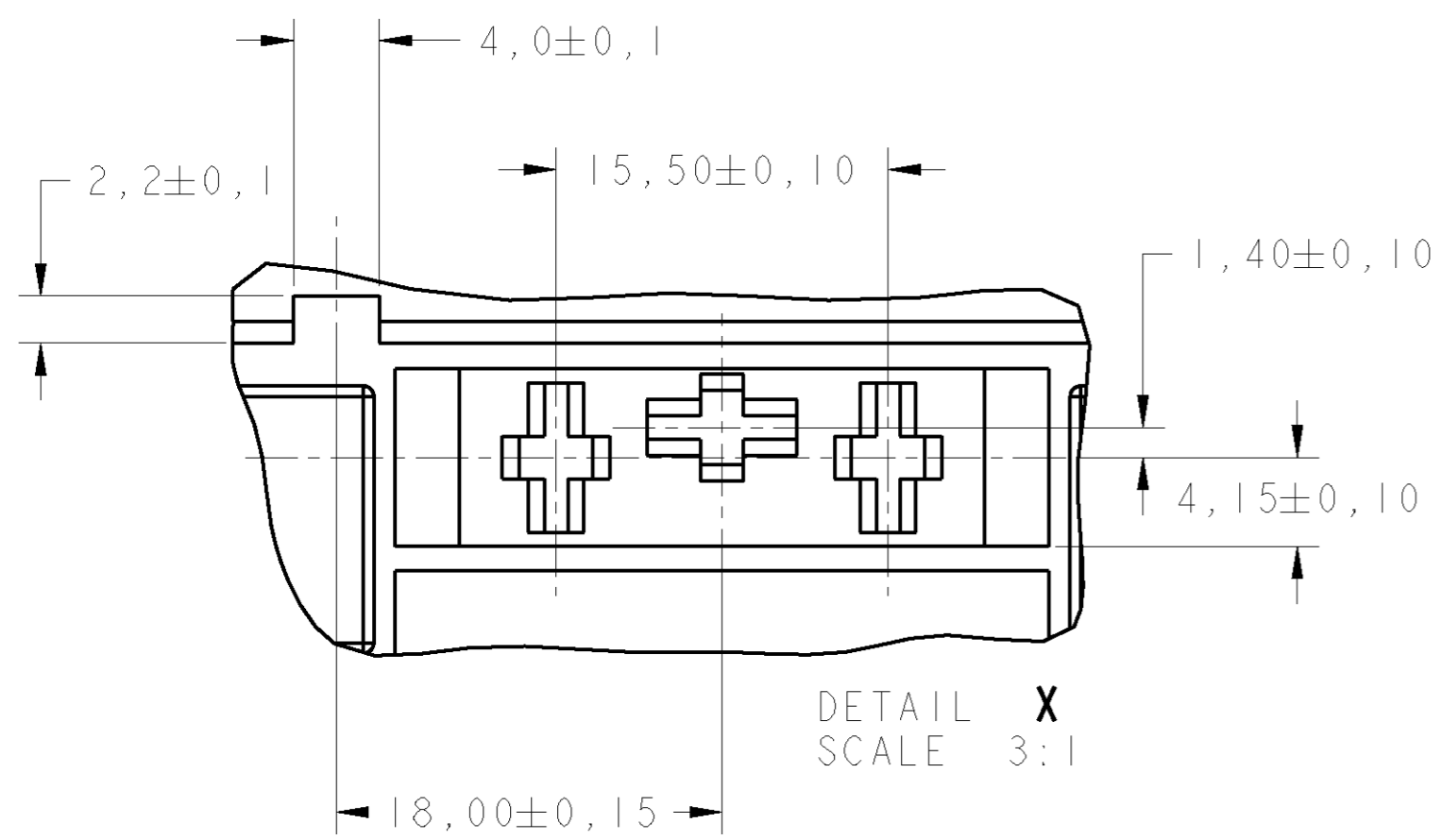


THIS DRAWING IS UNPUBLISHED. RELEASED FOR PUBLICATION 20  
 © COPYRIGHT 20 BY TYCO ELECTRONICS CORPORATION. ALL RIGHTS RESERVED.

Loc	DIST	REVISIONS			
P	LTR	DESCRIPTION	DATE	DWN	APVD
Q		RELEASED was 2003-LB00-0176-01	08APR04	H.C	WLS
A		REVISED BY LE10-0415/04	13DEC2004	H.C	WLS
B		REVISED BY ECO-07-000239	04JAN2007	HC	WLS



9-RESISTANCE TO FIRE-GLOW WIRE TEST AT 650°C ACC. TO IEC60335-1 ITEM 30.2  
 10-PTI 250V. PROOF TRACKING INDEX ACC. TO IEC 60112.

GRAVAÇÃO MARKING	
LOGOTIPO TYCO TYCO LOGO	1
CÓDIGO PAÍS PRODUTOR MANUFACTURER COUNTRY CODE	2
NOMENCLATURA MATERIAL MATERIAL NOMENCLATURE	3
NÚMERO COMPONENTE TYCO TYCO COMPONENT NUMBER	4
NÚMERO CAVIDADE CAVITY NUMBER	5
IDENTIFICAÇÃO CIRCUITO CIRCUIT IDENTIFICATION	6
NÚMERO PEÇA CLIENTE CUSTOMER PART NUMBER	7
REV+ LETRA REV. DA PEÇA REV.+ PART REV.LETTER	8

NATURAL	PA 6.6 15%G.F.	5210 000000 6526	1599287-1
COLOR	MATERIAL	BSH NUMBER	PART NUMBER
<small>THIS DRAWING IS A CONTROLLED DOCUMENT FOR TYCO ELECTRONICS CORPORATION IT IS SUBJECT TO CHANGE AND THE CONTROLLING ENGINEERING ORGANIZATION SHOULD BE CONTACTED FOR THE LATEST REVISION.</small>		DWN 27OCT2003 H.C.CANTERI CHK 27OCT2003 W.L.STEFANI APVD -	<b>tyco</b> Electronics Tyco Electronics Harrisburg, PA 17105-3608
DIMENSIONS: mm 		PRODUCT SPEC - APPLICATION SPEC - WEIGHT -	NAME - HSG. 3 POS. REC. FOR FRIDGE SIZE CAGE CODE DRAWING NO RESTRICTED TO A2 00779 C-1599287 -
TOLERANCES UNLESS OTHERWISE SPECIFIED: 0 PLC ± 1 PLC ±0,3 2 PLC ±0,2 3 PLC ± 4 PLC ± ANGLES ±2° FINISH		CUSTOMER DRAWING	SCALE 2/1 SHEET 1 OF 1 REV B
SEE TABLE			