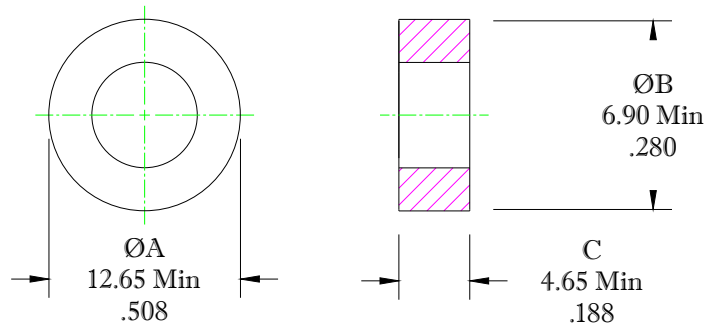


** Not all features are shown in this drawing. For more detailed information, please contact your Fair-Rite representative.

UNCONTROLLED ~CATALOG~ DRAWING

SIZE	PART NO.	REV.
B	5995000301	~




DIMENSIONS
BOLD DIMENSIONS ARE IN MILLIMETERS
 LIGHT DIMENSIONS ARE IN INCHES.

ELECTRICAL SPECIFICATIONS						
$\sum l/A(\text{mm}^2)$	l_e (mm)	A_e (mm) ²	V_e (mm) ³	L_o (nH)	A_L (nH) @10 kHz <10gauss	$\tan \delta/\mu$ i @100 kHz 1gauss
2.209	29.7	13.4	398	0.5689	1707±25%	≤10X10E-6

NOTES:

1 - BURNISH TO BREAK SHARP EDGES.

FR# 80

 FAIR-RITE PRODUCTS CORP.						
TITLE TOROID						
DRAWN BY A. BARTLETT	DATE 07-20-22	SIZE B	PART NO. 5995000301	REV. ~		
CHKD BY		APPRVD BY	SCALE NONE	SHEET 1 of 1		