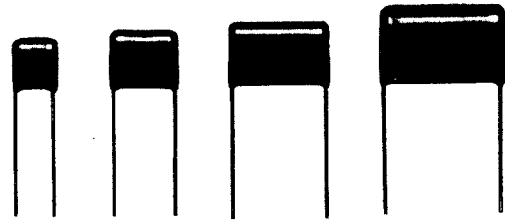


# ECQ-E Series

The type ECQ-E series is using a dual side metallized polyester film with high dielectric constant ( $\epsilon$ ) which makes it possible to produce large C-values in small dimensions, and is economical capacitor meeting high requirements for professional circuit design.



## ■ Features

- Self-healing property
- Flame retardant epoxy resin coating
- Available for wide automatic insertion range (Not standard/upon request)
- Excellent high frequency characteristics

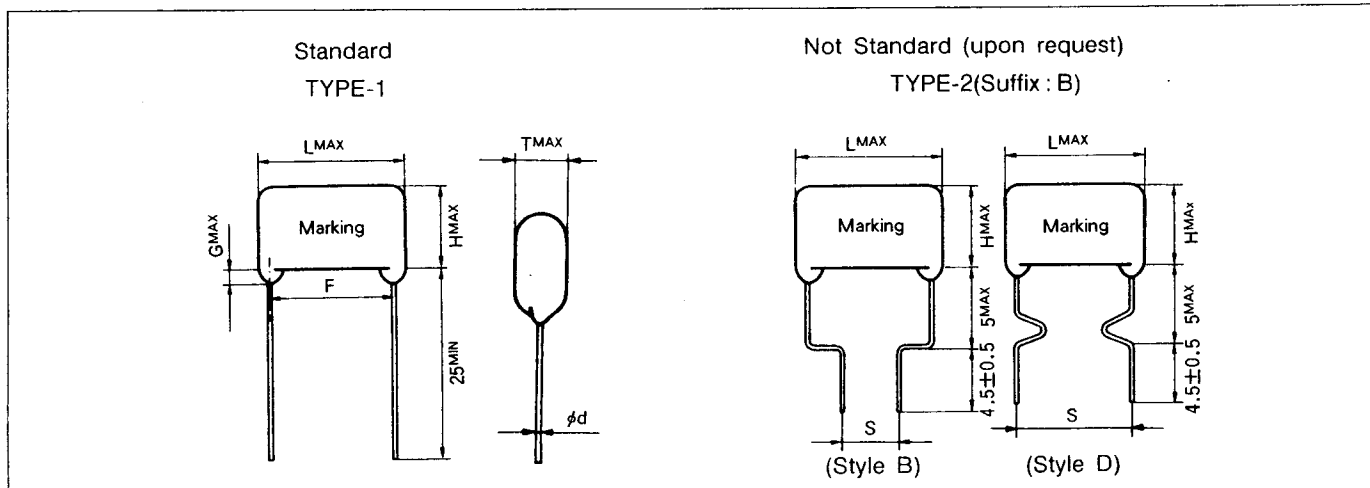
## ■ Applications

- Blocking, by-pass and coupling of DC and signals to VHF range
- Pulse, logic and timing circuit
- Filter and noise suppression circuit
- General purpose usage in both consumer and industrial equipment.

## ■ Specifications

Operating temp. range	-40~+85°C (At +105°C with 75% of rated voltage)	
Rated voltage	DC 100V, 250V, 400V, 630V,	
Capacitance range	0.001~10 $\mu$ F	
Capacitance tolerance	$\pm 10\%$ (K) [( $\pm 5\%$ (J) upon request), Not standard]	
Dissipation factor	$\leq 1.0\%$ (20°C, 1kHz)	
Withstand voltage	Between terminals : rated voltage (V DC) $\times 150\%$ 1minute	
Isulation resistance	C $\leq 0.33\mu$ F : $\geq 9000M\Omega$ C > 0.33 $\mu$ F : $\geq 3000M\Omega \cdot \mu$ F (20°C, DC 100V, 1minute)	
Construction	Metallized polyester film, flame retardant epoxy coating	
Lead material	Solder-plated copper wire	100VDC, 250VDC
	Solder-plated copper-clad steel wire	400VDC, 630VDC,

## ■ Dimensions



## 100VDC Series

## ■ TYPE-Z

Part code	Capacitance ( $\mu$ F)	Dimensions(mm)							
		L <sup>MAX</sup>	T <sup>MAX</sup>	H <sup>MAX</sup>	F $\pm$ 0.75	S $\pm$ 0.8	G <sup>MAX</sup>	$\phi$ d $\pm$ 0.05	TYPE-2 Style
					TYPE-1	TYPE-2	TYPE-1		
ECQ E1104KZ( )	0.1	12.0	4.0	7.5	10.0	5.0	1.0	0.6	B
" 1124KZ( )	0.12	"	4.5	"	"	"	"	"	"
" 1154KZ( )	0.15	"	4.0	9.5	"	"	"	"	"
" 1184KZ( )	0.18	"	4.5	10.0	"	"	"	"	"
" 1224KZ( )	0.22	"	5.0	10.5	"	"	"	"	"
" 1274KZ( )	0.27	17.0	4.5	8.0	15.0	10.0	"	"	"
" 1334KZ( )	0.33	"	"	10.0	"	"	"	"	"
" 1394KZ( )	0.39	"	5.0	"	"	"	"	"	"
" 1474KZ( )	0.47	"	5.5	11.0	"	"	"	"	"
" 1564KZ( )	0.56	"	6.5	11.5	"	"	"	0.8	"
" 1684KZ( )	0.68	"	7.0	12.0	"	"	"	"	"
" 1824KZ( )	0.82	"	7.5	13.0	"	"	"	"	"
" 1105KZ( )	1.0	"	8.0	14.0	"	"	"	"	"
" 1125KZ( )	1.2	"	8.5	16.0	"	"	"	"	"
" 1155KZ( )	1.5	25.5	7.5	14.5	22.5	15.0	"	"	"
" 1185KZ( )	1.8	"	8.5	16.0	"	"	"	"	"
" 1225KZ( )	2.2	"	9.5	16.5	"	"	"	"	"
" 1275KZ( )	2.7	"	10.0	18.5	"	"	"	"	"
" 1335KZ( )	3.3	"	"	19.0	"	"	"	"	"
" 1395KZ( )	3.9	30.5	11.0	18.0	27.5	20.0	1.5	"	"
" 1475KZ( )	4.7	"	"	20.5	"	"	"	"	"
" 1565KZ( )	5.6	"	12.5	21.0	"	"	"	"	"
" 1685KZ( )	6.8	"	13.0	24.0	"	"	"	"	"
" 1825KZ( )	8.2	"	15.0	25.0	"	"	"	"	"
" 1106KZ( )	10.0	"	16.0	27.0	"	"	"	"	"

↑ Suffix "B" for Crimped lead as type-2 (Not standard)

## ■ TYPE-F (NEW MINI-DIP)

Part code	Capacitance ( $\mu$ F)	Dimensions (mm)							
		L <sup>MAX</sup>	T <sup>MAX</sup>	H <sup>MAX</sup>	F $\pm$ 1.0	S $\pm$ 0.8	G <sup>MAX</sup>	$\phi$ d $\pm$ 0.05	TYPE-2 Style
					TYPE-1	TYPE-2	TYPE-1		
ECQE1103KF ( )	0.01	7.8	4.6	7.7	5.0	5.0	1.0	0.5	D
“ 1123KF ( )	0.012	“	4.5	7.6	“	“	“	“	“
“ 1153KF ( )	0.015	“	“	“	“	“	“	“	“
“ 1183KF ( )	0.018	“	4.6	7.7	“	“	“	“	“
“ 1223KF ( )	0.022	“	4.9	8.0	“	“	“	“	“
“ 1273KF ( )	0.027	“	4.7	7.8	“	“	“	“	“
“ 1333KF ( )	0.033	“	4.6	7.7	“	“	“	“	“
“ 1393KF ( )	0.039	“	4.9	8.0	“	“	“	“	“
“ 1473KF ( )	0.047	“	4.5	7.5	“	“	“	“	“
“ 1563KF ( )	0.056	“	4.8	7.9	“	“	“	“	“
“ 1683KF ( )	0.068	“	“	“	“	“	“	“	“
“ 1823KF ( )	0.082	“	4.7	9.9	“	“	“	“	“
“ 1104KF ( )	0.1	“	5.0	10.0	“	“	“	“	“
“ 1124KF ( )	0.12	10.3	4.5	7.5	7.5	7.5	“	0.6	“
“ 1154KF ( )	0.15	“	“	“	“	“	“	“	“
“ 1184KF ( )	0.18	“	4.8	7.9	“	“	“	“	“
“ 1224KF ( )	0.22	“	5.0	8.0	“	“	“	“	“
“ 1274KF ( )	0.27	“	4.5	12.0	“	“	“	“	“
“ 1334KF ( )	0.33	“	6.0	10.7	“	“	“	“	“
“ 1394KF ( )	0.39	“	6.3	11.0	“	“	“	“	“
“ 1474KF ( )	0.47	“	6.0	12.0	“	“	“	“	“
“ 1564KF ( )	0.56	12.0	5.5	10.9	10.0	10.0	“	“	“
“ 1684KF ( )	0.68	“	6.0	11.9	“	“	“	“	“
“ 1824KF ( )	0.82	“	“	13.5	“	“	“	“	“
“ 1105KF ( )	1.0	“	6.7	14.0	“	“	“	“	“
“ 1125KF ( )	1.2	18.5	5.5	12.8	15.0	“	“	“	B
“ 1155KF ( )	1.5	“	6.0	13.4	“	“	“	0.8	“
“ 1185KF ( )	1.8	“	6.5	14.4	“	“	“	“	“
“ 1225KF ( )	2.2	“	7.0	15.0	“	“	“	“	“
“ 1275KF ( )	2.7	“	8.0	15.8	“	“	“	“	“
“ 1335KF ( )	3.3	“	8.5	16.5	“	“	“	“	“
“ 1395KF ( )	3.9	26.0	7.0	16.4	22.5	15.0	“	“	“
“ 1475KF ( )	4.7	“	7.5	17.0	“	“	“	“	“
“ 1565KF ( )	5.6	“	8.3	17.5	“	“	“	“	“
“ 1685KF ( )	6.8	“	9.0	18.5	“	“	“	“	“
“ 1825KF ( )	8.2	“	10.0	20.0	“	“	1.5	“	“
“ 1106KF ( )	10.0	“	11.5	21.0	“	“	“	“	“

↑—— Suffix "B" for Crimped lead as Type-2. Not standard

## 250VDC Series

## ■TYPE-S

Part code	Capacitance ( $\mu$ F)	Dimensions (mm)							
		L <sup>MAX</sup>	T <sup>MAX</sup>	H <sup>MAX</sup>	F $\pm$ 0.75	S $\pm$ 0.8	G <sup>MAX</sup>	$\phi$ d $\pm$ 0.05	TYPE-2 Style
					TYPE-1	TYPE-2	TYPE-1		
ECQ E2103KS( )	.01	12.5	5.0	8.0	10.0	7.5	1.0	0.6	B
" 2123KS( )	.012	"	4.5	"	"	"	"	"	"
" 2153KS( )	.015	"	5.0	"	"	"	"	"	"
" 2183KS( )	.018	"	4.5	"	"	"	"	"	"
" 2223KS( )	.022	"	"	"	"	"	"	"	"
" 2273KS( )	.027	"	5.0	"	"	"	"	"	"
" 2333KS( )	.033	"	4.5	"	"	"	"	"	"
" 2393KS( )	.039	"	5.0	"	"	"	"	"	"
" 2473KS( )	.047	"	4.5	7.5	"	"	"	"	"
" 2563KS( )	.056	"	5.0	8.0	"	"	"	"	"
" 2683KS( )	.068	"	"	"	"	"	"	"	"
" 2823KS( )	.082	"	"	10.0	"	"	"	"	"
" 2104KS( )	.1	"	"	10.5	"	"	"	"	"
" 2124KS( )	.12	17.5	"	10.0	15.0	"	"	0.8	"
" 2154KS( )	.15	"	5.5	10.5	"	"	"	"	"
" 2184KS( )	.18	"	"	"	"	10.0	"	"	"
" 2224KS( )	.22	"	"	11.0	"	"	"	"	"
" 2274KS( )	.27	23.0	"	10.5	20.0	"	"	"	"
" 2334KS( )	.33	"	"	11.0	"	"	"	"	"
" 2394KS( )	.39	"	6.0	11.5	"	12.5	"	"	"
" 2474KS( )	.47	"	6.5	12.0	"	"	"	"	"
" 2564KS( )	.56	"	7.0	12.5	"	"	"	"	"
" 2684KS( )	.68	"	7.5	13.5	"	"	"	"	"
" 2824KS( )	.82	31.0	7.0	12.5	27.5	17.5	"	"	"
" 2105KS( )	1.0	"	7.5	13.5	"	"	"	"	"
" 2125KS( )	1.2	"	"	15.5	"	"	"	"	"
" 2155KS( )	1.5	"	8.5	16.5	"	"	"	"	"
" 2185KS( )	1.8	"	"	18.0	"	"	"	"	"
" 2225KS( )	2.2	"	9.5	19.5	"	"	"	"	"
" 2275KS( )	2.7	"	11.0	20.5	"	"	1.5	"	"
" 2335KS( )	3.3	"	12.5	22.0	"	"	"	"	"
" 2395KS( )	3.9	"	13.5	23.0	"	"	"	"	"
" 2475KS( )	4.7	"	15.0	24.5	"	"	"	"	"
" 2565KS( )	5.6	42.5	14.0	23.0	38.5	30.0	"	"	"
" 2685KS( )	6.8	"	15.5	25.0	"	"	"	"	"
" 2825KS( )	8.2	"	17.0	27.0	"	"	"	1.0	"
" 2106KS( )	10.0	"	19.5	29.0	"	"	"	"	"

↑ Suffix "B" for Crimped lead as Type-2. Not standard

■ TYPE-F (NEW MINI-DIP)

Part code	Capacitance ( $\mu$ F)	Dimensions (mm)								
		L <sup>MAX</sup>	T <sup>MAX</sup>	H <sup>MAX</sup>	F $\pm$ 1.0		S $\pm$ 0.8		G <sup>MAX</sup>	TYPE-2 Style
					TYPE-1	TYPE-2	TYPE-1	TYPE-1	$\phi$ d $\pm$ 0.05	
ECQ E2103KF ( )	.01	10.3	4.3	7.4	7.5	7.5	1.0	0.6	D	
" 2123KF ( )	.012	"	4.4	7.5	"	"	"	"	"	
" 2153KF ( )	.015	"	"	"	"	"	"	"	"	
" 2183KF ( )	.018	"	"	"	"	"	"	"	"	
" 2223KF ( )	.022	"	"	"	"	"	"	"	"	
" 2273KF ( )	.027	"	"	"	"	"	"	"	"	
" 2333KF ( )	.033	"	4.5	"	"	"	"	"	"	
" 2393KF ( )	.039	"	"	"	"	"	"	"	"	
" 2473KF ( )	.047	"	"	"	"	"	"	"	"	
" 2563KF ( )	.056	"	4.8	7.9	"	"	"	"	"	
" 2683KF ( )	.068	"	4.5	7.5	"	"	"	"	"	
" 2823KF ( )	.082	"	4.9	8.0	"	"	"	"	"	
" 2104KF ( )	.1	"	5.8	8.4	"	"	"	"	"	
" 2124KF ( )	.12	"	6.0	9.0	"	"	"	"	"	
" 2154KF ( )	.15	"	"	10.8	"	"	"	"	"	
" 2184KF ( )	.18	12.0	5.0	10.3	10.0	10.0	"	"	"	
" 2224KF ( )	.22	"	5.5	10.5	"	"	"	"	"	
" 2274KF ( )	.27	"	6.0	11.5	"	"	"	"	"	
" 2334KF ( )	.33	"	6.5	12.0	"	"	"	"	"	
" 2394KF ( )	.39	18.5	4.9	"	15.0	"	"	"	B	
" 2474KF ( )	.47	"	5.3	12.5	"	"	"	"	"	
" 2564KF ( )	.56	"	5.5	13.0	"	"	"	"	"	
" 2684KF ( )	.68	"	6.0	13.5	"	"	"	0.8	"	
" 2824KF ( )	.82	"	6.5	14.5	"	"	"	"	"	
" 2105KF ( )	1.0	"	7.4	15.0	"	"	"	"	"	
" 2125KF ( )	1.2	"	8.0	15.9	"	"	"	"	"	
" 2155KF ( )	1.5	"	9.0	16.8	"	"	"	"	"	
" 2185KF ( )	1.8	26.0	7.5	15.5	22.5	15.0	"	"	"	
" 2225KF ( )	2.2	"	8.5	16.3	"	"	"	"	"	
" 2275KF ( )	2.7	"	9.4	17.0	"	"	"	"	"	
" 2335KF ( )	3.3	"	10.3	18.0	"	"	1.5	"	"	
" 2395KF ( )	3.9	"	11.0	20.5	"	"	"	"	"	
" 2475KF ( )	4.7	"	12.0	21.5	"	"	"	"	"	
" 2565KF ( )	5.6	31.0	11.8	21.0	27.5	22.5	"	"	"	
" 2685KF ( )	6.8	"	13.0	22.4	"	"	"	"	"	
" 2825KF ( )	8.2	"	14.3	23.5	"	"	"	"	"	
" 2106KF ( )	10.0	"	15.9	25.8	"	"	"	"	"	

↑ Suffix "B" for Crimped lead as Type-2. Not standard

## 400VDC Series

## ■ TYPE-Z

Part code	Capacitance ( $\mu$ F)	Dimensions (mm)							
		C <sup>MAX</sup>	T <sup>MAX</sup>	H <sup>MAX</sup>	F $\pm$ 1.25	S $\pm$ 0.8	G <sup>MAX</sup>	$\phi$ d $\pm$ 0.05	TYPE-2 Style
					TYPE-1	TYPE-2	TYPE-1		
ECQ E4103 KZ ( )	.01	13.5	4.5	8.0	10.5	7.5	1.0	0.6	B
" 4123 KZ ( )	.012	"	5.0	"	"	"	"	"	"
" 4153 KZ ( )	.015	"	4.5	"	"	"	"	"	"
" 4183 KZ ( )	.018	"	5.0	"	"	"	"	"	"
" 4223 KZ ( )	.022	"	"	10.0	"	"	"	"	"
" 4273 KZ ( )	.027	"	"	10.5	"	"	"	"	"
" 4333 KZ ( )	.033	"	5.5	11.0	"	"	"	"	"
" 4393 KZ ( )	.039	"	6.0	11.5	"	"	"	"	"
" 4473 KZ ( )	.047	"	6.5	12.0	"	"	"	"	"
" 4563 KZ ( )	.056	16.5	6.0	11.0	13.5	10.0	"	"	"
" 4683 KZ ( )	.068	"	6.5	12.0	"	"	"	"	"
" 4823 KZ ( )	.082	"	7.0	12.5	"	"	"	"	"
" 4104 KZ ( )	.111	"	"	14.5	"	"	"	"	"
" 4124 KZ ( )	.12	"	7.5	15.0	"	"	"	"	"
" 4154 KZ ( )	.15	"	8.0	16.0	"	"	"	0.8	"
" 4184 KZ ( )	.18	"	9.0	16.5	"	"	"	"	"
" 4224 KZ ( )	.22	24.0	7.5	15.0	20.5	12.5	"	"	"
" 4274 KZ ( )	.27	"	8.0	16.0	"	"	"	"	"
" 4334 KZ ( )	.33	"	9.0	16.5	"	"	"	"	"
" 4394 KZ ( )	.39	29.0	8.5	16.0	25.5	17.5	1.5	"	"
" 4474 KZ ( )	.47	"	9.0	17.0	"	"	"	"	"
" 4564 KZ ( )	.56	"	10.0	17.5	"	"	"	"	"
" 4684 KZ ( )	.68	"	11.5	18.5	"	"	"	"	"
" 4824 KZ ( )	.82	"	12.5	20.5	"	"	"	"	"
" 4105 KZ ( )	1.0	"	14.0	21.5	"	"	"	"	"
" 4125 KZ ( )	1.2	"	14.5	24.0	"	"	"	"	"
" 4155 KZ ( )	1.5	42.5	12.5	22.0	38.5	27.5	"	"	"
" 4185 KZ ( )	1.8	"	13.5	23.0	"	"	"	"	"
" 4225 KZ ( )	2.2	"	15.0	24.5	"	"	"	"	"

↑ Suffix "B" for Crimped lead as Type-2. Not standard

## ■ TYPE-F (NEW MINI-DIP)

Part code	Capacitance ( $\mu$ F)	Dimensions (mm)							
		L <sup>MAX</sup>	T <sup>MAX</sup>	H <sup>MAX</sup>	F $\pm$ 1.0	S $\pm$ 0.8	G <sup>MAX</sup>	$\phi$ d $\pm$ 0.05	TYPE-2 Style
					TYPE-1	TYPE-2	TYPE-1		
ECQ E4103 KF ( )	.01	10.3	4.3	7.4	7.5	7.5	1.0	0.6	D
" 4123 KF ( )	.012	"	4.4	7.5	"	"	"	"	"
" 4153 KF ( )	.015	"	"	"	"	"	"	"	"
" 4183 KF ( )	.018	"	"	"	"	"	"	"	"
" 4223 KF ( )	.022	"	4.8	7.9	"	"	"	"	"
" 4273 KF ( )	.027	"	5.5	8.0	"	"	"	"	"
" 4333 KF ( )	.033	"	6.0	9.0	"	"	"	"	"
" 4393 KF ( )	.039	12.0	4.9	8.0	10.0	10.0	"	"	"
" 4473 KF ( )	.047	"	5.0	8.3	"	"	"	"	"
" 4563 KF ( )	.056	"	"	10.0	"	"	"	"	"
" 4683 KF ( )	.068	"	5.4	10.5	"	"	"	"	"
" 4823 KF ( )	.082	"	5.8	11.0	"	"	"	"	"
" 4104 KF ( )	.11	"	6.3	12.0	"	"	"	"	"
" 4124 KF ( )	.12	18.5	5.0	10.0	15.0	"	"	"	B
" 4154 KF ( )	.15	"	"	12.4	"	"	"	"	"
" 4184 KF ( )	.18	"	5.4	12.5	"	"	"	"	"
" 4224 KF ( )	.22	"	5.9	13.0	"	"	"	"	"
" 4274 KF ( )	.27	"	6.5	14.3	"	"	"	0.8	"
" 4334 KF ( )	.33	"	7.0	14.9	"	"	"	"	"
" 4394 KF ( )	.39	"	7.5	15.4	"	"	"	"	"
" 4474 KF ( )	.47	"	7.8	17.0	"	"	"	"	"
" 4564 KF ( )	.56	26.0	6.5	16.0	22.5	15.0	"	"	"
" 4684 KF ( )	.68	"	7.0	16.5	"	"	"	"	"
" 4824 KF ( )	.82	"	7.9	17.3	"	"	"	"	"
" 4105 KF ( )	1.0	"	8.5	18.0	"	"	"	"	"
" 4125 KF ( )	1.2	"	9.5	18.9	"	"	"	"	"
" 4155 KF ( )	1.5	31.0	"	19.0	27.5	22.5	"	"	"
" 4185 KF ( )	1.8	"	11.0	20.5	"	"	1.5	"	"
" 4225 KF ( )	2.2	"	"	22.0	"	"	"	"	"

↑ Suffix "B" for Crimped lead as Type-2. Not standard

## 630 VDC Series

## ■ TYPE-Z

Part code	Capacitance ( $\mu$ F)	Dimensions(mm)							
		L <sup>MAX</sup>	T <sup>MAX</sup>	H <sup>MAX</sup>	F $\pm$ 1.25 TYPE-1	S $\pm$ 0.8 TYPE-2	G <sup>MAX</sup> TYPE-1	$\phi$ d $\pm$ 0.05	TYPE-2 Style
ECQ E6103KZ( )	.01	13.5	5.0	8.0	10.5	7.5	1.0	0.6	B
" 6123KZ( )	.012	"	"	10.0	"	"	"	"	"
" 6153KZ( )	.015	"	5.5	10.5	"	"	"	"	"
" 6183KZ( )	.018	"	"	11.0	"	"	"	"	"
" 6223KZ( )	.022	"	6.0	12.0	"	"	"	"	"
" 6273KZ( )	.027	16.5	5.0	12.5	13.5	10.0	"	"	"
" 6333KZ( )	.033	"	5.5	12.0	"	"	"	"	"
" 6393KZ( )	.039	"	6.0	"	"	"	"	"	"
" 6473KZ( )	.047	"	6.5	13.5	"	"	"	"	"
" 6563KZ( )	.056	"	7.0	14.0	"	"	"	"	"
" 6683KZ( )	.068	"	7.5	15.0	"	"	"	"	"
" 6823KZ( )	.082	"	8.0	16.0	"	"	"	0.8	"
" 6104KZ( )	.1	24.0	6.5	14.0	20.5	12.5	1.5	"	"
" 6124KZ( )	.12	"	7.5	15.0	"	"	"	"	"
" 6154KZ( )	.15	"	8.0	16.0	"	"	"	"	"
" 6184KZ( )	.18	"	9.0	16.5	"	"	"	"	"
" 6224KZ( )	.22	29.0	8.5	"	25.5	17.5	"	"	"
" 6274KZ( )	.27	"	9.5	17.0	"	"	"	"	"
" 6334KZ( )	.33	"	10.5	18.0	"	"	"	"	"
" 6394KZ( )	.39	"	11.5	19.0	"	"	"	"	"
" 6474KZ( )	.47	"	12.5	20.5	"	"	"	"	"
" 6564KZ( )	.56	"	14.0	21.5	"	"	"	"	"
" 6684KZ( )	.68	42.5	12.0	19.5	38.5	27.5	"	"	"
" 6824KZ( )	.82	"	13.0	21.0	"	"	"	"	"
" 6105KZ( )	1.0	"	13.5	23.0	"	"	"	"	"
" 6125KZ( )	1.2	"	15.0	24.5	"	"	"	"	"
" 6155KZ( )	1.5	"	17.0	27.0	"	"	"	"	"
" 6185KZ( )	1.8	"	19.5	29.0	"	"	"	1.0	"
" 6225KZ( )	2.2	"	20.5	32.0	"	"	"	"	"

↑ Suffix "B" for Crimped as Type-2. Not standard



■ TYPE-F (NEW MINI-DIP)

Part code	Capacitance ( $\mu F$ )	Dimensions (mm)							
		L <sup>MAX</sup>	T <sup>MAX</sup>	H <sup>MAX</sup>	F $\pm 1.0$	S $\pm 0.8$	G <sup>MAX</sup>	$\phi d \pm 0.05$	TYPE-2 Style
					TYPE-1	TYPE-2	TYPE-1		
ECQ E6103KF ( )	.01	12.0	4.5	7.5	10.0	10.0	1.0	0.6	D
"/ 6123KF ( )	.012	"	"	7.8	"	"	"	"	"
"/ 6153KF ( )	.015	"	5.0	8.2	"	"	"	"	"
"/ 6183KF ( )	.018	"	4.9	10.0	"	"	"	"	"
"/ 6223KF ( )	.022	"	5.3	10.5	"	"	"	"	"
"/ 6273KF ( )	.027	"	5.5	10.9	"	"	"	"	"
"/ 6333KF ( )	.033	"	6.0	11.9	"	"	"	"	"
"/ 6393KF ( )	.039	"	"	13.4	"	"	"	"	"
"/ 6473KF ( )	.047	"	6.5	13.5	"	"	"	"	"
"/ 6563KF ( )	.056	18.5	5.4	10.5	15.0	"	"	"	B
"/ 6683KF ( )	.068	"	5.8	11.0	"	"	"	"	"
"/ 6823KF ( )	.082	"	6.5	12.0	"	"	"	"	"
"/ 6104KF ( )	.1	"	6.3	14.0	"	"	"	"	"
"/ 6124KF ( )	.12	"	"	14.5	"	"	"	0.8	"
"/ 6154KF ( )	.15	"	7.5	15.4	"	"	"	"	"
"/ 6184KF ( )	.18	"	8.0	16.0	"	"	"	"	"
"/ 6224KF ( )	.22	"	9.0	16.5	"	"	"	"	"
"/ 6274KF ( )	.27	26.0	7.0	"	22.5	15.0	"	"	"
"/ 6334KF ( )	.33	"	7.8	17.0	"	"	"	"	"
"/ 6394KF ( )	.39	"	8.5	17.9	"	"	"	"	"
"/ 6474KF ( )	.47	"	9.3	18.5	"	"	"	"	"
"/ 6564KF ( )	.56	"	10.0	20.0	"	"	1.5	"	"
"/ 6684KF ( )	.68	"	11.5	21.0	"	"	"	"	"
"/ 6824KF ( )	.82	31.0	11.3	20.5	27.5	22.5	"	"	"
"/ 6105KF ( )	1.0	"	12.5	21.9	"	"	"	"	"
"/ 6125KF ( )	1.5	"	13.5	23.0	"	"	"	"	"
"/ 6155KF ( )	1.5	"	15.3	24.7	"	"	"	"	"
"/ 6185KF ( )	1.8	"	16.8	27.0	"	"	"	"	"
"/ 6225KF ( )	2.2	"	19.5	29.0	"	"	"	"	"

↑ Suffix "B" for Crimped lead as Type-2. Not standard