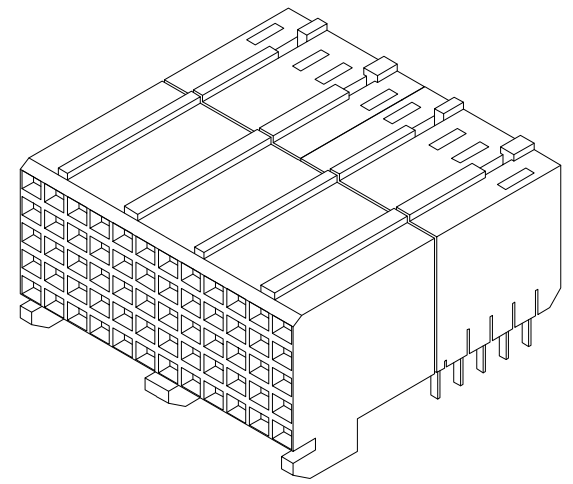
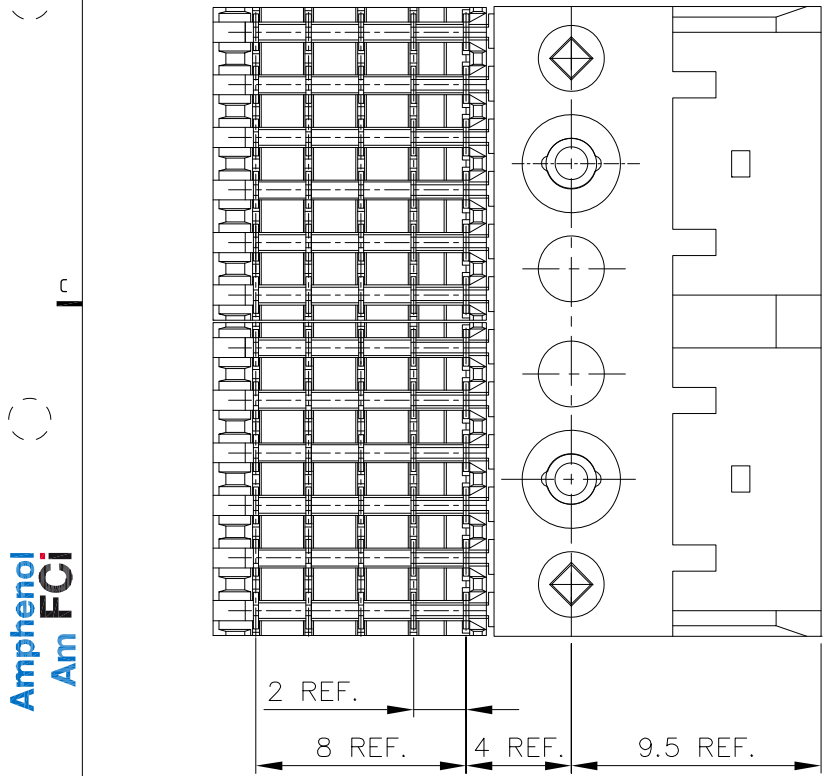


PRODUCT NUMBER	CONFIGURATION												DIM A	PCB Thickness	
	ROW	1	2	3	4	5	6	7	8	9	10	11			12
85639-X01LF	E	X	-	X	-	X	-	X	-	X	-	X	-	2.90	1.6
	D	-	X	-	X	-	X	-	X	-	X	-	X		
	C	X	-	X	-	X	-	X	-	X	-	X	-		
	B	-	X	-	X	-	X	-	X	-	X	-	X		
85639-X02LF	A	X	-	X	-	X	-	X	-	X	-	X	-	3.53	2.4
	E	X	-	X	-	X	-	X	-	X	-	X	-		
	D	-	X	-	X	-	X	-	X	-	X	-	X		
	C	X	-	X	-	X	-	X	-	X	-	X	-		
85639-X03LF	B	-	X	-	X	-	X	-	X	-	X	-	X	2.90	1.6
	E	X	-	X	-	X	-	X	-	X	-	X	-		
	D	-	X	-	X	-	X	-	X	-	X	-	X		
	C	-	-	-	-	-	-	-	-	-	-	-	X		
85639-X04LF	A	X	-	X	-	X	-	X	-	X	-	X	-	2.90	1.6
	E	X	-	X	-	X	-	X	-	X	-	X	-		
	D	X	X	-	X	X	-	X	X	-	X	X	-		
	C	X	X	-	X	X	-	X	X	-	X	X	-		
85639-X05LF	B	X	X	-	X	X	-	X	X	-	X	X	-	2.90	1.6
	E	X	X	-	X	X	-	X	X	-	X	X	-		
	D	-	X	-	X	-	X	-	X	-	X	-	X		
	C	-	X	-	X	-	X	-	X	-	X	-	X		
85639-X06LF	A	X	X	-	X	X	-	X	X	-	X	X	-	2.90	1.6
	E	-	X	X	-	X	X	-	X	X	-	X	X		
	D	-	X	X	-	X	X	-	X	X	-	X	X		
	C	-	X	X	-	X	X	-	X	X	-	X	X		

“-” POSITION NOT LOADED  
“X” POSITION LOADED



- NOTES:**
- MATERIAL : BODY : LCP UL94-V0  
: CONTACT : COPPER ALLOY.
  - FOR PLATING PERFORMANCE REFER DRAWING # 10159408
  - INDICATED HOLES ARE UNPLATED
  - SET BACK FOR TAIL BLOCK
  - TOP SURFACE OF PRESS BLOCK MAY EXTEND UP TO 0.4MM HIGHER THAN HOUSING. THIS MAY AFFECT THE TAIL LENGTH BEFORE APPLICATION TO A BOARD.
  - THIS PRODUCT MEETS EUROPEAN UNION DIRECTIVES AND OTHER COUNTRY REGULATIONS AS DESCRIBED IN GS-47- 0004
  - THE HOUSING WILL WITHSTAND EXPOSURE TO 260° PEAK TEMPERATURE FOR 10 SECONDS IN A WAVE SOLDER APPLICATION.
  - DIAMOND LOCATION PEG ARE ONLY EXISTED ON THE BOTH SIDES OF PRODUCT.
  - A△SYMBOL WILL BE NEXT TO ANY DIMENSION, VIEW, OR NOTE WHICH HAS BEEN MODIFIED WITH THE CURRENT DRAWING REVISION.

RECOMMENDED HOLE PATTERN,  
COMPONENT SIDE.  
FOR PTH REFER DRAWING # 58351

PART NUMBER : 85639-XYFLF

mat'l. code		surface		tolerance		projection		product family	
		ISO 1302		ISO 406 ISO 1101		mm		METRAL (fm)	
ltr		ecn no		dr		date		title	
H		DG07-0168		CENH		2007-05-10		5R RA STB SIGNAL RECEPTACLE 24mm PP SL	
J		DG08-0171		TER		2008-08-25		dwg no	
K		DG09-0068		CENH		2009-06-06		sheet 1 of 1 size	
L		ELX-1-38655		MINI		2020-10-05		85639	
				dr		VISSCHERS IB 1998-05-12		type	
				engr		ARUN 2020-10-05		Product Customer Drawing	
				chr		ALEX BABU 2020-10-05			
				appd		SANJ 2020-10-05			
sheet index		revision sheet		L		1			

Amphenol  
Am  
FCI

© 2016 AFCI

PC BOARD THICKNESS ±0.2 (SEE TABLE)