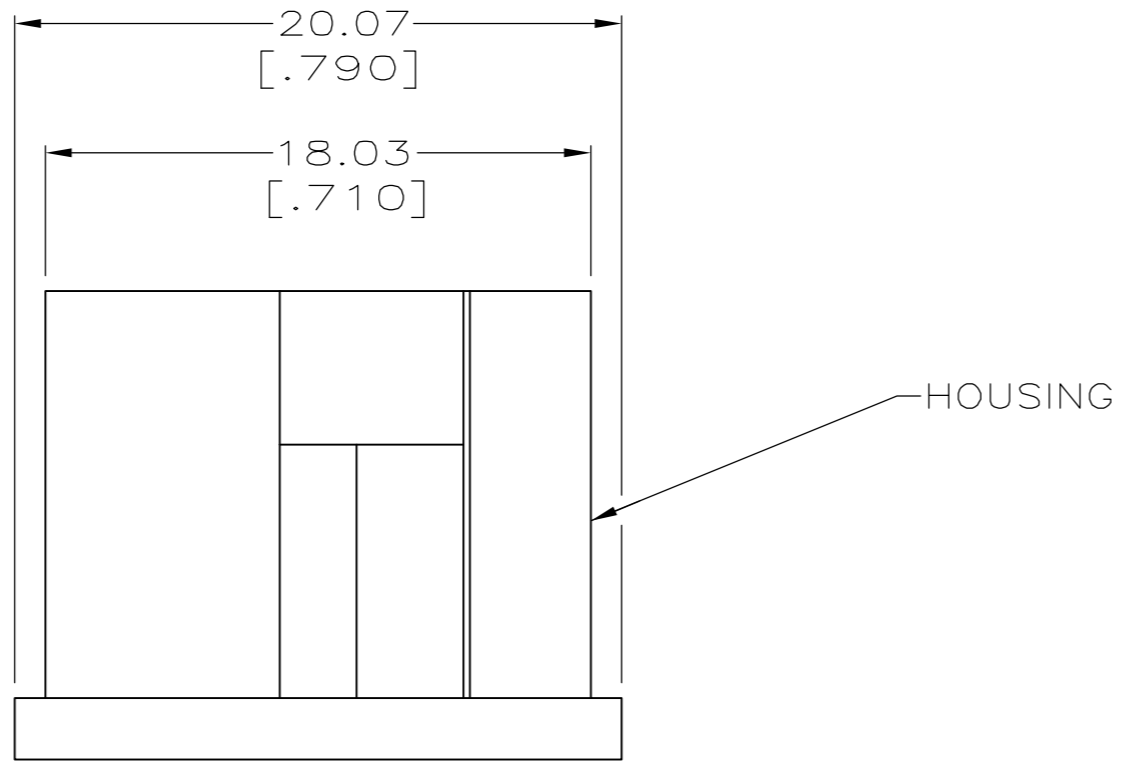


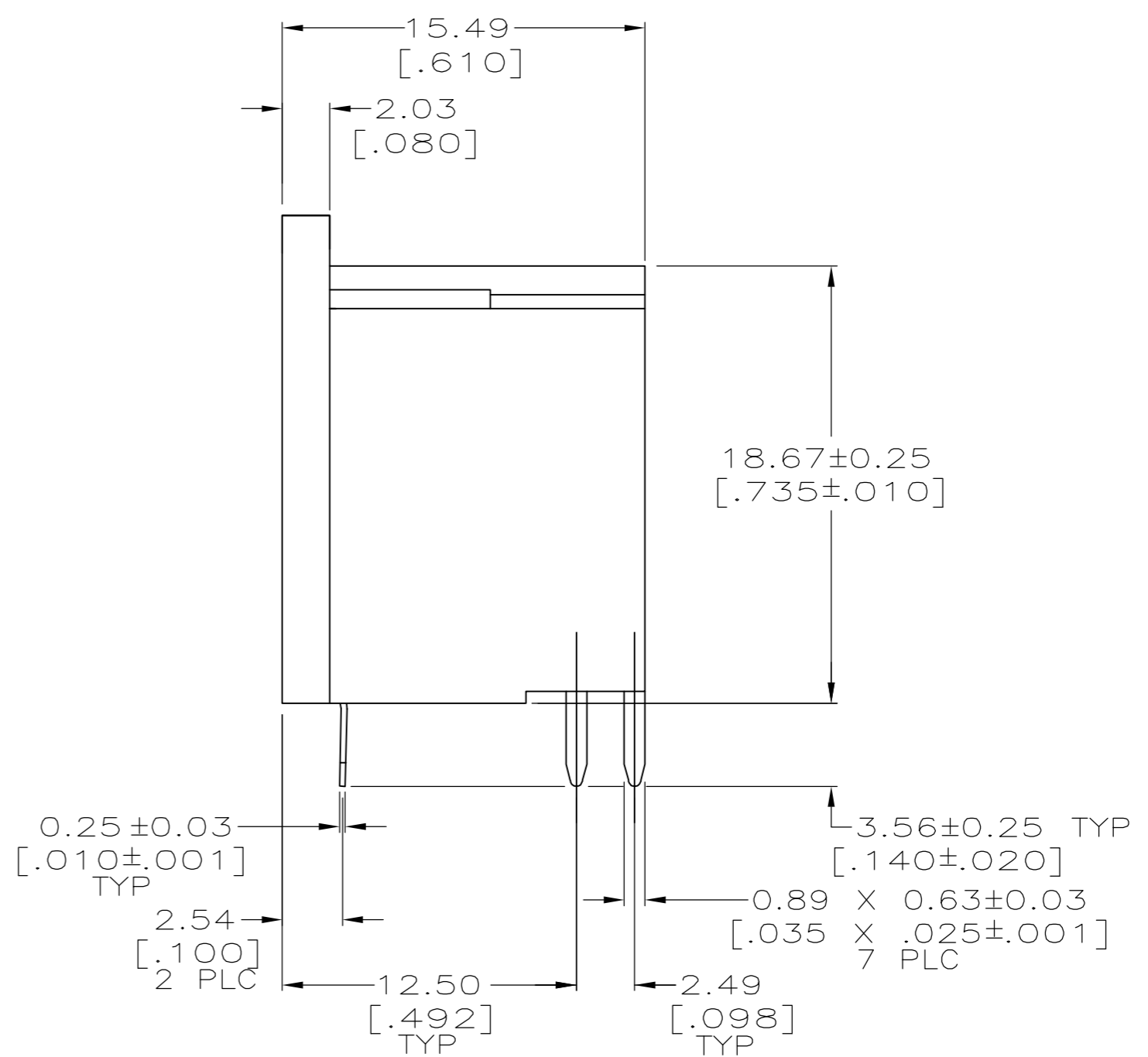
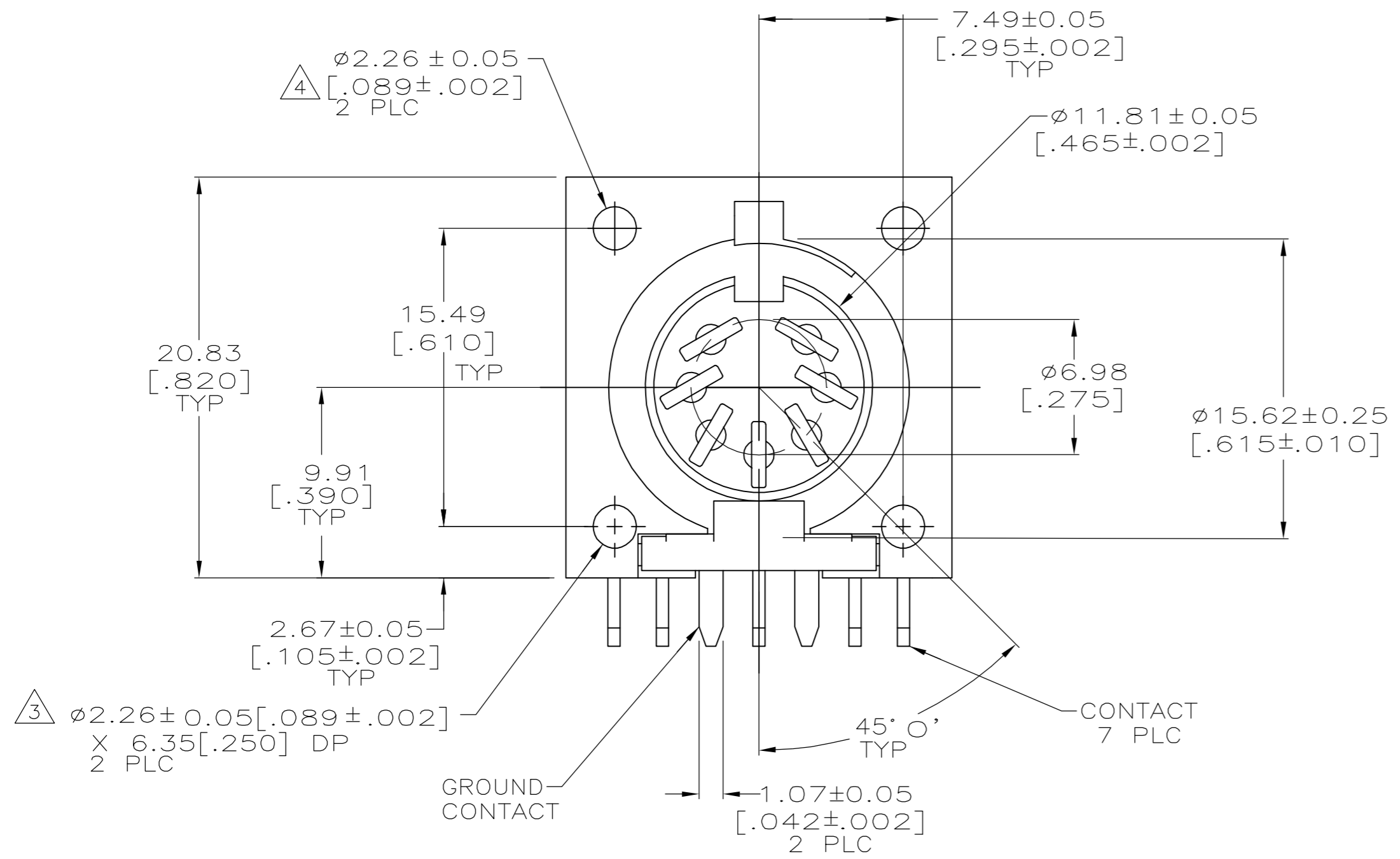
THIS DRAWING IS UNPUBLISHED. RELEASED FOR PUBLICATION
 © COPYRIGHT BY TYCO ELECTRONICS CORPORATION. ALL RIGHTS RESERVED.

| LOC | DIST | REVISIONS | | | |
|-----|------|---------------------------|---------|-----|------|
| P | LTR | DESCRIPTION | DATE | DWN | APVD |
| GP | 00 | | | | |
| | 01 | REVISED PER ECO-07-008008 | 10APR07 | JDP | CWR |



- ① HOUSING: NYLON, UL 94V-0 RATED, BLACK.
- ② CONTACTS & GROUND CONTACT: 2.54μm [.000100] MIN TIN OVER 1.27μm [.000050] MIN NICKEL.
- ③ ACCEPTS #2 SELF-TAPPING SCREW, .250 LONG REF.
- ④ CONTACTS & GROUND CONTACTS: BRASS.

HOUSING



5786165-1
 PART NO

| | | | | |
|--|--|--------------------------------------|---|--------------------|
| THIS DRAWING IS A CONTROLLED DOCUMENT. | | DWN L. VARELA - DOCK5 11-12-04 | Tyco Electronics Corporation Harrisburg, PA 17105-3608 | |
| DIMENSIONS: mm [INCHES] | TOLERANCES UNLESS OTHERWISE SPECIFIED: | CHK C. ROHDE 11-12-04 | NAME M. WALMSLEY 11-12-04 | |
| | 0 PLC ± - | APVD M. WALMSLEY 11-12-04 | PRODUCT SPEC 108-10047 | |
| | 1 PLC ± - | APPLICATION SPEC 114-40025 | SIZE A2 | CAGE CODE 00779 |
| MATERIAL | FINISH | WEIGHT - | DRAWING NO C=5786165 | RESTRICTED TO - |
| ① ④ | ② | CUSTOMER DRAWING | SCALE 4:1 | SHEET 1 of 1 |
| | | | REV 01 | |