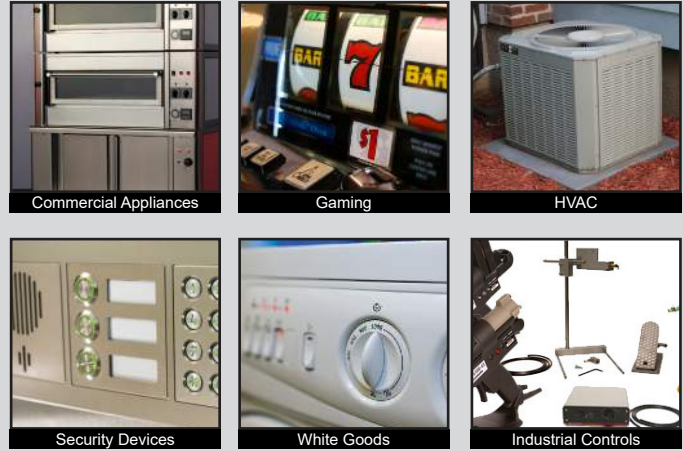


# PP1 SERIES DETECTOR SWITCH

ANTI-VANDAL SWITCHES  
 DETECTOR SWITCHES  
 DIP SWITCHES  
 KEYLOCK SWITCHES  
 NAVIGATION SWITCHES  
 PUSHBUTTON SWITCHES  
 ROCKER SWITCHES  
 ROTARY SWITCHES  
 SLIDE SWITCHES  
 SNAP ACTION SWITCHES  
 TACTILE SWITCHES  
 TOGGLE SWITCHES  
 CAP OPTIONS



## APPLICATIONS / MARKETS



## SPECIFICATIONS

**Electrical Rating:** 16A 125VAC [cURus]  
 12A 250VAC [cURus]  
 1HP 125/250VAC [cURus]

**Electrical Life:** 6,000 Cycles  
**Mechanical Life:** 50,000 Cycles  
**Contact Resistance:** 10mΩ Max.  
**Insulation Resistance:** 10MΩ Min.  
**Operating Temperature** 0°C to 85°C  
**Panel Cutout:** 13.5mm x 36mm  
**Ingress Protection:** IP40  
**Function:** SPDT, On-(On) or On<sub>1</sub>-On<sub>2</sub>-(On<sub>2</sub>)

## FEATURES & BENEFITS

- Push-pull or momentary functions
- Various actuator and terminal options
- High ratings with UL approvals
- Acts as door interlock switch
- IP40 ingress protection

## PART NUMBER CONFIGURATOR

Series	Terminal Type	Function	Contact Rating	Body Color	Actuator Height	Actuator Color
PP1	1 - 4.8mm x 0.8mm Tabs, Vertical 4 - 6.3mm x 0.8mm Tabs, Vertical D - 4.8mm x 0.8mm Tabs, Horizontal E - 6.3mm x 0.8mm Tabs, Horizontal F - 1 - 6.3mm x 0.5mm, 2 - 4.8mm x 0.5mm Tabs, Angled	T - On <sub>1</sub> -On <sub>2</sub> -(On <sub>2</sub> )* B - On-(On)*	7 - 16A 125VAC 12A 250VAC 1HP 125/250VAC	1 - Black 2 - White	A - Straight B - Push-Pull D - Short	1 - Black 2 - White

\* ( ) Denotes momentary function

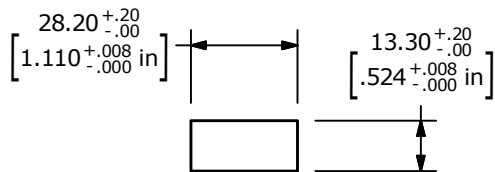
Specifications subject to change without notice 5.28.2021



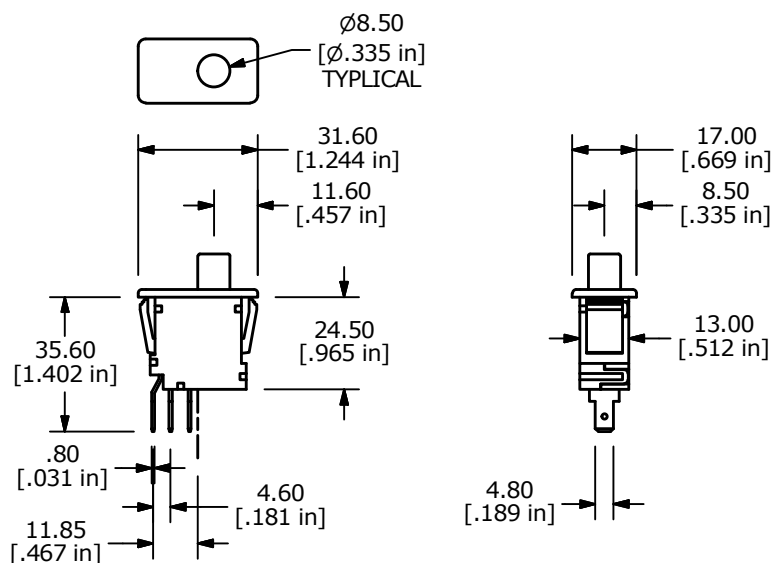
# PP1 SERIES DETECTOR SWITCH

## TERMINAL OPTIONS

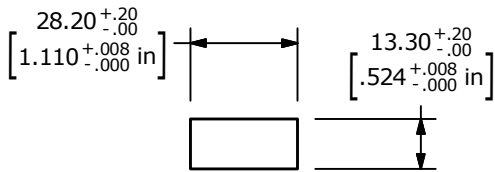
### 1 - 4.8mm x 0.8mm Tabs, Vertical



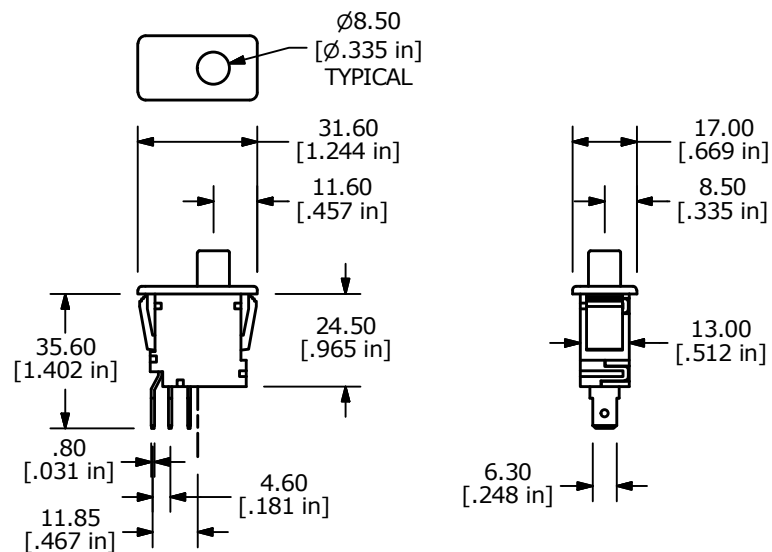
RECOMMENDED PANEL CUTOUT



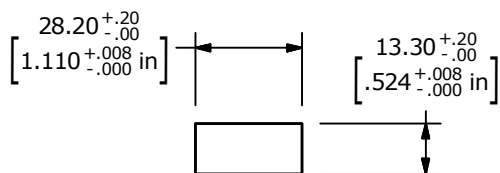
### 4 - 6.3mm x 0.8mm Tabs, Vertical



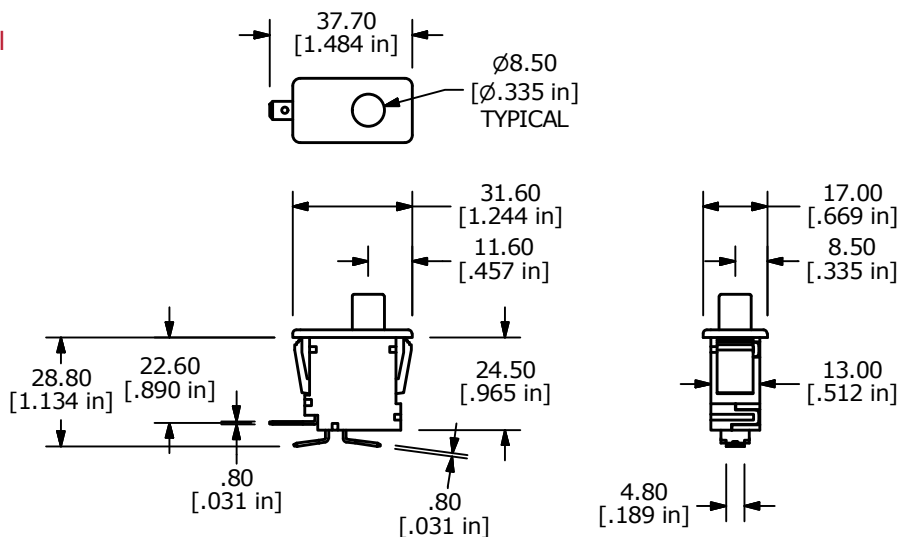
RECOMMENDED PANEL CUTOUT



### D - 4.8mm x 0.8mm Tabs, Horizontal



RECOMMENDED PANEL CUTOUT

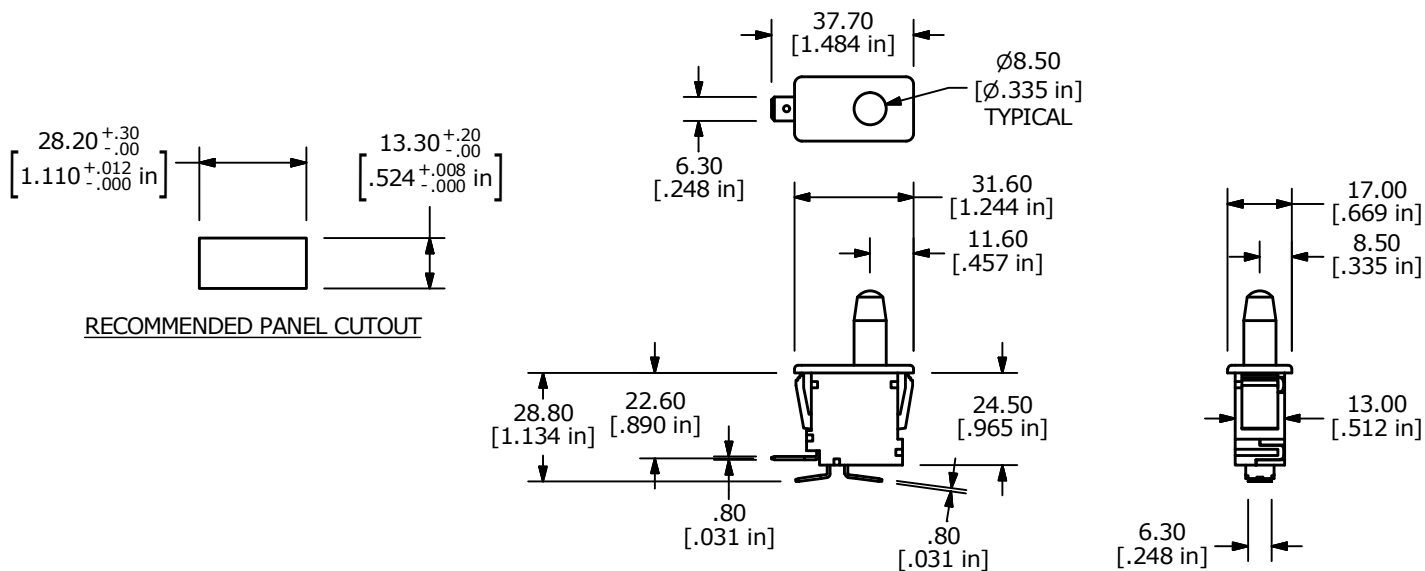


ANTI-VANDAL SWITCHES  
 DETECTOR SWITCHES  
 DIP SWITCHES  
 KEYLOCK SWITCHES  
 NAVIGATION SWITCHES  
 PUSHBUTTON SWITCHES  
 ROCKER SWITCHES  
 ROTARY SWITCHES  
 SLIDE SWITCHES  
 SNAP ACTION SWITCHES  
 TACTILE SWITCHES  
 TOGGLE SWITCHES  
 CAP OPTIONS

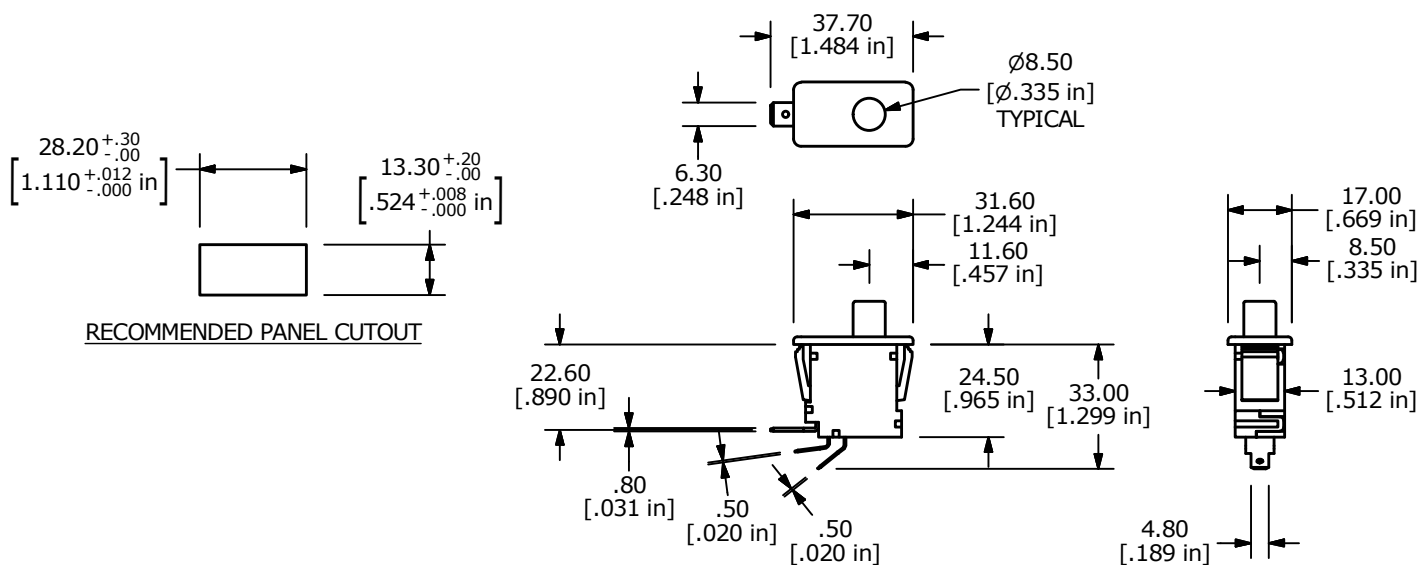
# PP1 SERIES DETECTOR SWITCH

## TERMINAL OPTIONS

E - 6.3mm x 0.8mm Tabs, Horizontal



F - 1 - 6.3mm x 0.8mm, 2 - 4.8mm x 0.5mm Tabs, Angled



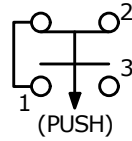
# PP1 SERIES DETECTOR SWITCH

## ACTUATOR OPTIONS

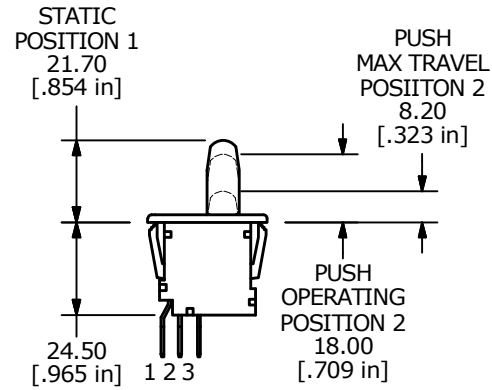
### A - Straight

SWITCH FUNCTION	
POS. 1	POS. 2
ON	(ON)
1-2	1-3

(ON)=MOMENTARY



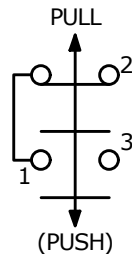
SPDT  
CONTACT CONFIGURATION  
( ) DENOTES MOMENTARY  
FUNCTION



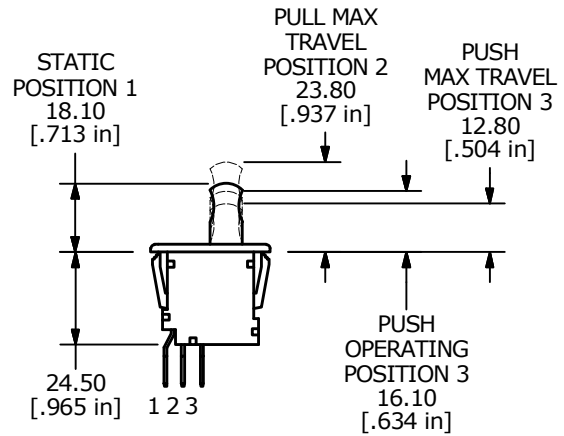
### B - Push-Pull

SWITCH FUNCTION		
POS. 1	POS. 2	POS. 3
ON	ON	(ON)
1-2	1-3	1-3

(ON)=MOMENTARY



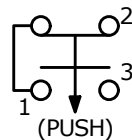
SPDT  
CONTACT CONFIGURATION  
( ) DENOTES MOMENTARY  
FUNCTION



### D - Short

SWITCH FUNCTION	
POS. 1	POS. 2
ON	(ON)
1-2	1-3

(ON)=MOMENTARY



SPDT  
CONTACT CONFIGURATION  
( ) DENOTES MOMENTARY  
FUNCTION

