

TABLE OF CONTENTS	
SHEET NO.	SHEET DESCRIPTION
1	NOTES AND BOM
2	CONFIGURATIONS
3-4	KEY CONFIGURATIONS
5	BLADE CONNECTOR ASSEMBLY
6	SYSTEM PACKAGING
7	BACKSHELL NOTES
8	BACKSHELL
9	BACKSHELL CONFIGURATIONS

NOTES: VALID UNLESS OTHERWISE SPECIFIED

1. GENERAL:

a. APPLICATION SPECIFICATION SEE: AS-33472-100
 -CONTAINS: PRODUCT INTRODUCTION, PRODUCT SUMMARY, CONNECTOR ASSEMBLY, PACKAGING INFORMATION, CONNECTOR MATING, SERVICE INSTRUCTIONS, ELECTRICAL CONTINUITY CHECKING, CRIMPING, AND TROUBLESHOOTING.
 -DESIGNED TO MATE WITH CONNECTOR AS SPECIFIED IN THE MATING CONNECTOR DRAWINGS CHART.
 -ASSEMBLY SHIPPED WITH PLR IN PRE-LOCK POSITION (SEE PLR PRE-LOCK VIEW SHEET 5).

b. PRODUCT SPECIFICATION SEE: PS-160008-0001
 CONTAINS: SCOPE, PRODUCT DESCRIPTION, INTEGRAL COMPONENTS AND ACCESSORIES, APPLICABLE DOCUMENTS AND SPECIFICATIONS, RATINGS, PERFORMANCE, PACKAGING, GAUGES AND FIXTURES, AND OTHER INFORMATION.

c. PACKAGING SPECIFICATION PER MOLEX DRAWING: SEE PACKAGING CHART.

d. PARTS MUST BE IN COMPLIANCE TO MOLEX CHEMICAL SUBSTANCES FOR PRODUCTS AND PACKAGING SPECIFICATION: QEHS-699000-300

e. DATA MUST BE SUBMITTED UNDER THE MOLEX PART NUMBER TO IMDS (COMPANY ID#13255)

2. DESIGN - MATERIALS:

a. SEE BOM TABLE IN SD-160011-0002

3. DESIGN - GEOMETRY:

a. THE 3-D CAD DATA IS BASIC (WITHOUT TOLERANCE) AND MASTER FOR THIS PART WITH THE EXCEPTION OF UNDERLINED DIMENSIONS. DIMENSIONAL INFORMATION NOT SHOWN ON THIS DRAWING IS DEFINED BY THE DATA FILE AT ITS LATEST REVISION.

b. GEOMETRIC DIMENSIONS AND TOLERANCES PER ASME Y14.5M-2009

c. EDGES AND UNDIMENSIONED DETAILS PER ISO13715

d. CORNERS SHOWN AS SHARP TO BE R 0.2 MAX.

e. LETTERING SHALL BE 0.15 MAX RAISED IN 0.25 MAX RECESS PAD. THIS INCLUDES RECYCLING CODE, CAVITY ID, VENDOR IDENTIFICATION, AND CUSTOMER MATERIAL NUMBER.

f. VISUAL DEFECTS SHALL MEET COSMETIC STANDARD PS-45499-002 (Class B).

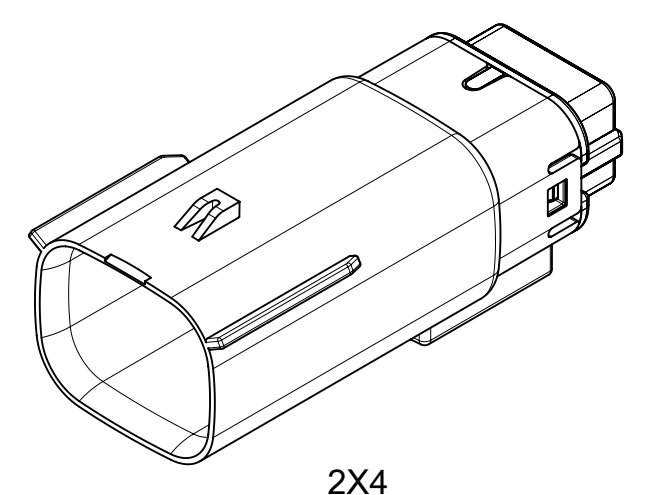
g. LASER MARKING:

- PART NUMBER
- DAY OF THE YEAR
- SHIFT
- YEAR

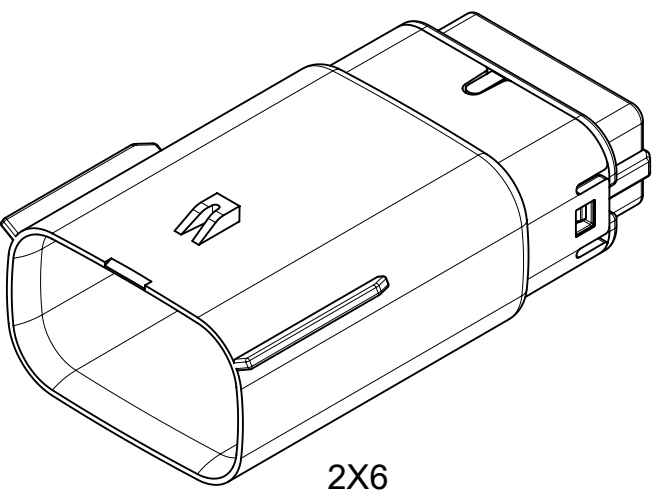
FOR ADDITIONAL INFORMATION REFERENCE SECTION 5 UNDER PROCEDURES IN ES-34735-008.

PACKAGING	
DESCRIPTION	DRAWING NO.
2X2	TBD
2X3	TBD
2X4	PK-36518-392
2X6	PK-31300-635
2X8	TBD
2X10	PK-31300-635

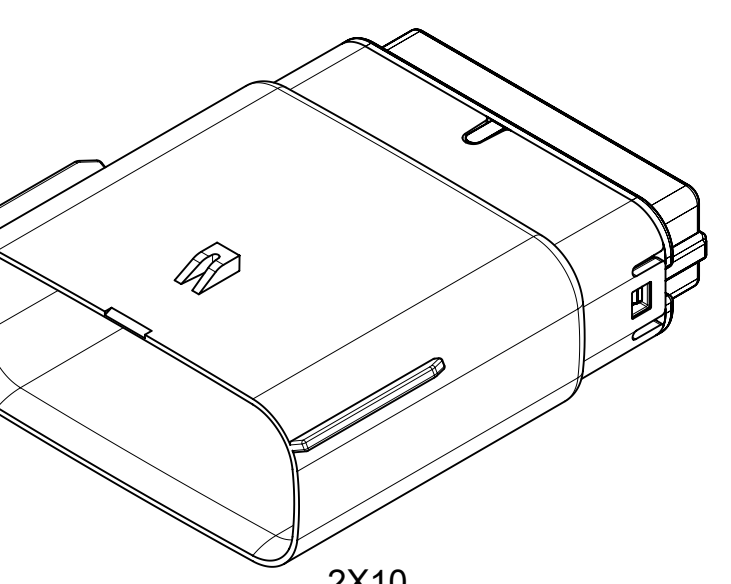
MATING CONNECTOR DRAWINGS	
DESCRIPTION	MOLEX INLINE
2X2	TBD
2X3	TBD
2X4	SD-160008-0001
2X6	SD-160008-0001
2X8	TBD
2X10	SD-160018-0001



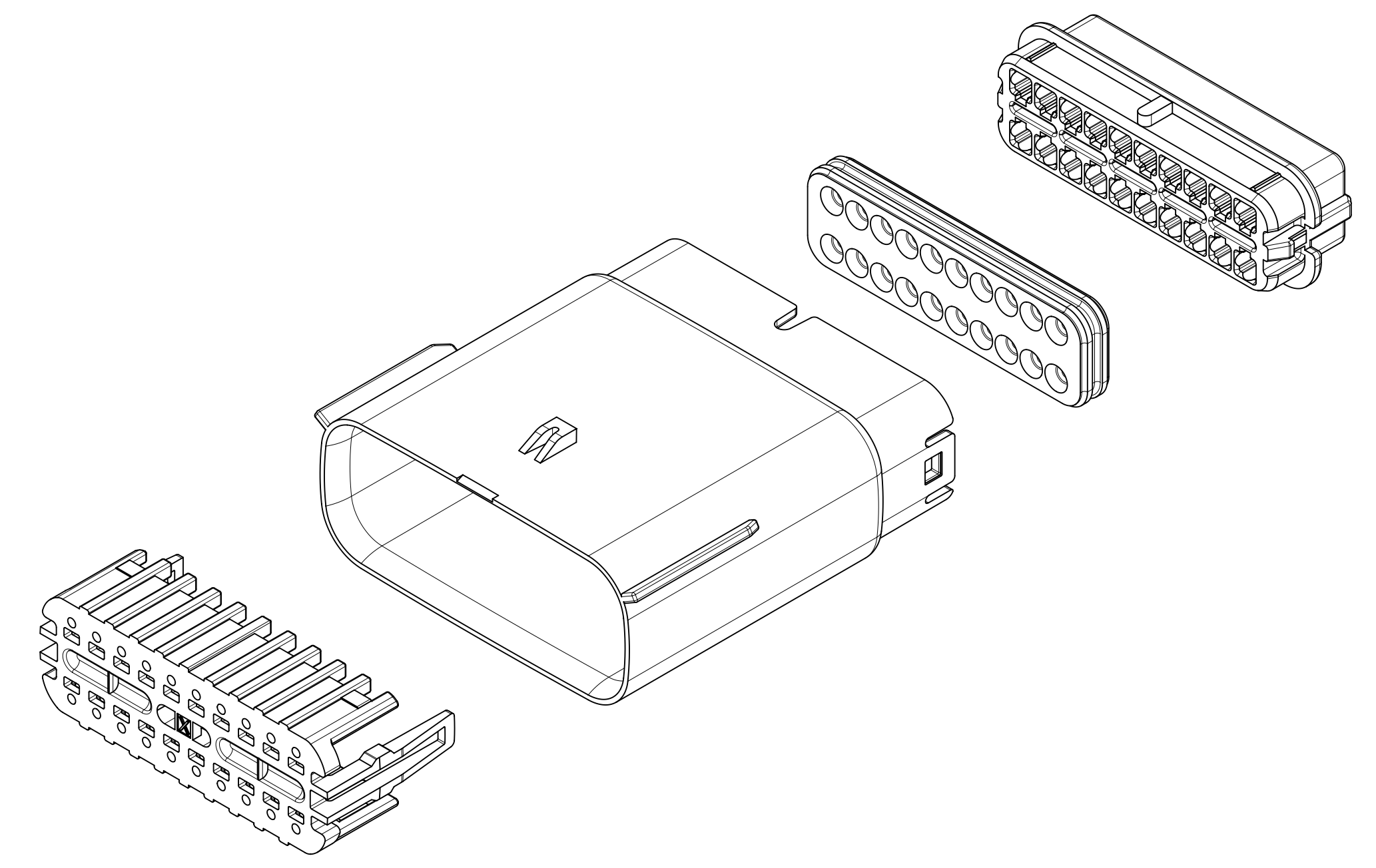
2X4



2X6



2X10



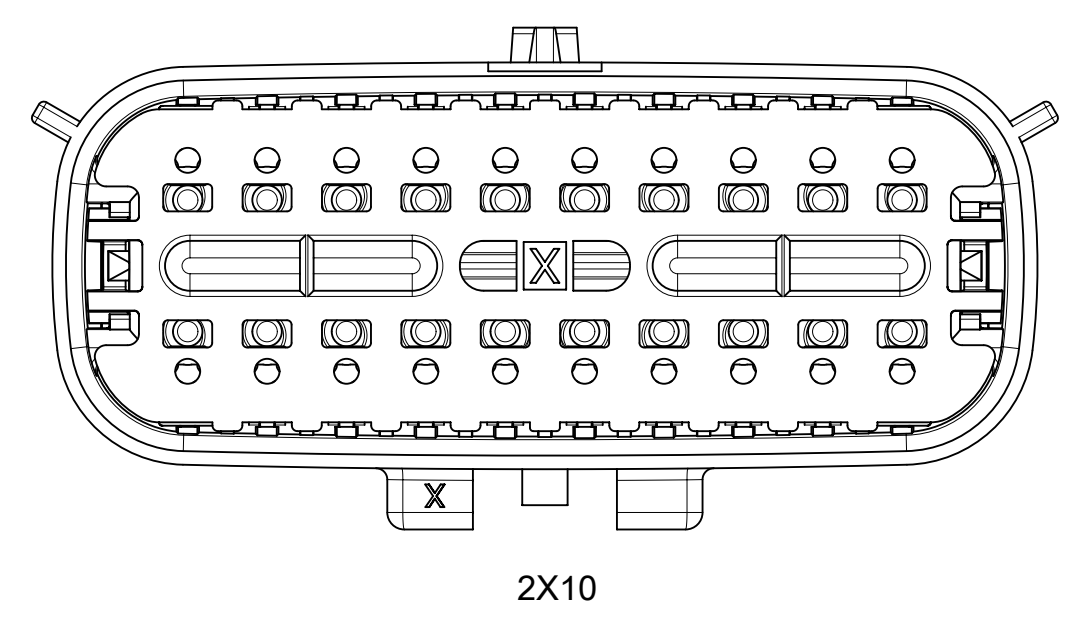
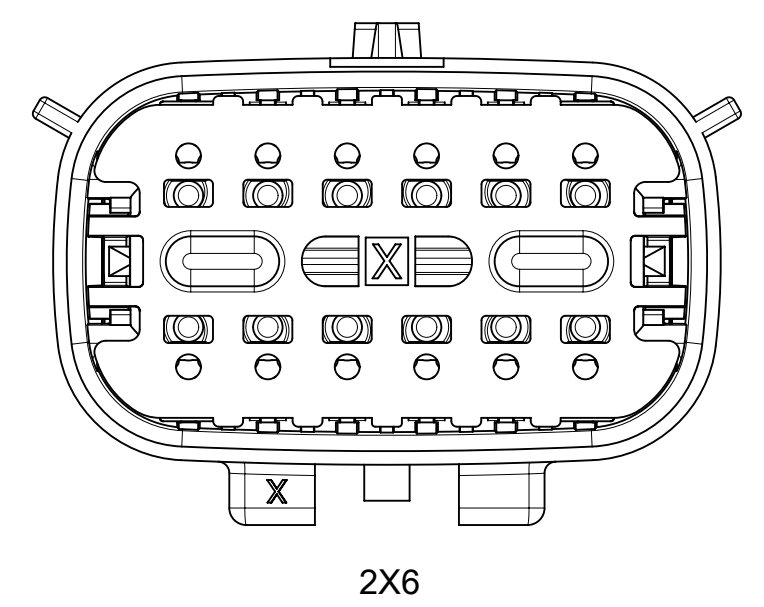
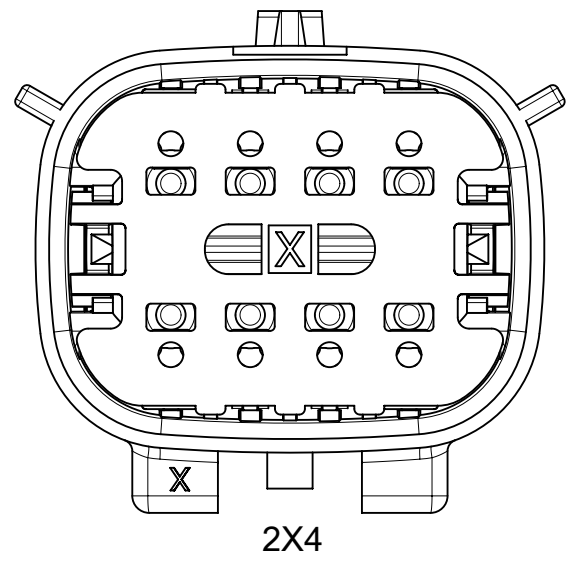
INSPECTION NUMBER LOG	
LAST NUMBER:	
ADDED:	
REMOVED:	

A5	ADDED MOLEX BACKSHELL DETAILS
A4	MIGRATED FROM COCREATE AND IMPORTED DXF FILES
A3	ADDED SHEET 6 & UPDATED PASS THRU
A2	UPDATED NOTES & BACKSHELL INFO
A1	CORRECTED DIM 16
A	INITIAL RELEASE
REV	REV DESCRIPTION

SYMBOLS = 0 mm = 0 SCALE = 0 GENERAL TOLERANCES (UNLESS SPECIFIED) = 0 ANGULAR TOL ± 3.0° = 0 4 PLACES ± = 0 3 PLACES ± = 0 2 PLACES ± 0.1 = 0 1 PLACE ± 0.2 = 0 0 PLACES ± = 0 DRAFT WHERE APPLICABLE MUST REMAIN WITHIN DIMENSIONS	THIS DRAWING CONTAINS INFORMATION THAT IS PROPRIETARY TO MOLEX ELECTRONIC TECHNOLOGIES, LLC AND SHOULD NOT BE USED WITHOUT WRITTEN PERMISSION	DIMENSION UNITS mm	SCALE 1.5:1	CURRENT REV DESC: EC NO: 171650 DRWN: PMANJUNATHAC 2018/01/01 CHK'D: MVANSLAMBROU 2018/02/16 APPR: MVANSLAMBROU 2018/02/16		
	GENERAL TOLERANCES (UNLESS SPECIFIED) ANGULAR TOL ± 3.0° 4 PLACES ± 3 PLACES ± 2 PLACES ± 0.1 1 PLACE ± 0.2 0 PLACES ±	DRWN: KBORUSZEWSKI 2014/02/19 APPR: VKOSHY 2014/03/05	INITIAL REVISION: DRWN: KBORUSZEWSKI 2014/02/19 APPR: VKOSHY 2014/03/05	MX150 GEN 2 BLADE DUAL ROW SEALED ASSEMBLY MAT SEAL		
	DRAFT WHERE APPLICABLE MUST REMAIN WITHIN DIMENSIONS	THIRD ANGLE PROJECTION 	DRAWING A1-SIZE	SERIES 160011		PRODUCT CUSTOMER DRAWING
	DOCUMENT NUMBER SD-160011-0001	DOC TYPE PSD	DOC PART 001	REVISION A5		
DOCUMENT STATUS P1	RELEASE DATE 2018/02/16 22:02:24	MATERIAL NUMBER SD-160011-0001	CUSTOMER GENERAL MARKET	SHEET NUMBER 1 OF 11		

18 17 16 15 14 13 12 11 10 9 8 7 6 5 4 3 2 1

SHEET DESCRIPTION
CONFIGURATIONS

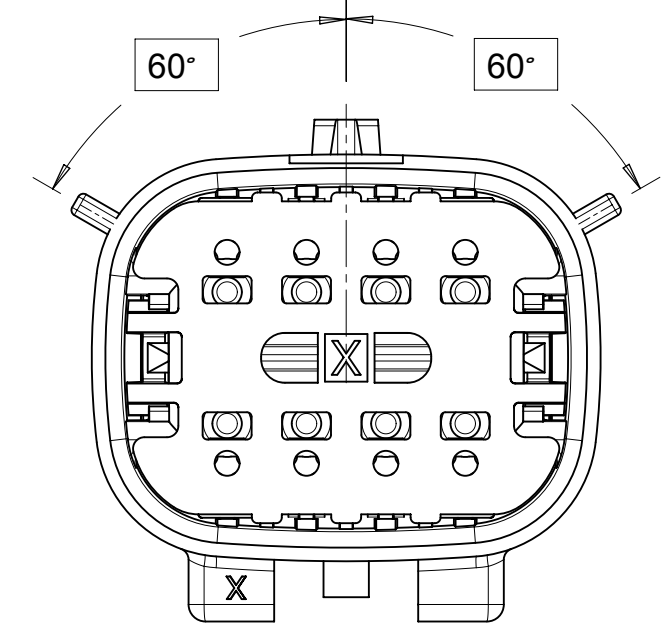


SYMBOLS	THIS DRAWING CONTAINS INFORMATION THAT IS PROPRIETARY TO MOLEX ELECTRONIC TECHNOLOGIES, LLC AND SHOULD NOT BE USED WITHOUT WRITTEN PERMISSION		CURRENT REV DESC:		
	DIMENSION UNITS	SCALE			
▽ = 0	mm	3:1			MX150 GEN 2 BLADE DUAL ROW SEALED ASSEMBLY MAT SEAL
▽ = 0	GENERAL TOLERANCES (UNLESS SPECIFIED)				
▽ = 0	ANGULAR TOL ± 3.0°		EC NO: 171650		PRODUCT CUSTOMER DRAWING
▽ = 0	4 PLACES	±	DRWN: PMANJUNATHAC 2018/01/01		
▽ = 0	3 PLACES	±	CHK'D: MVANSLAMBROU 2018/02/16		
▽ = 0	2 PLACES	± 0.1	APPR: MVANSLAMBROU 2018/02/16		
▽ = 0	1 PLACE	± 0.2	INITIAL REVISION:		
▽ = 0	0 PLACES	±	DRWN: KBORUSZEWSKI 2014/02/19		
▽ = 0	DRAFT WHERE APPLICABLE MUST REMAIN WITHIN DIMENSIONS		THIRD ANGLE PROJECTION	DRAWING	DOCUMENT NUMBER SD-160011-0001
▽ = 0				SERIES	DOC TYPE DOC PART REVISION PSD 001 A5
			A1-SIZE	160011	MATERIAL NUMBER CUSTOMER GENERAL MARKET
DOCUMENT STATUS			P1	RELEASE DATE	2018/02/16
				22:02:24	

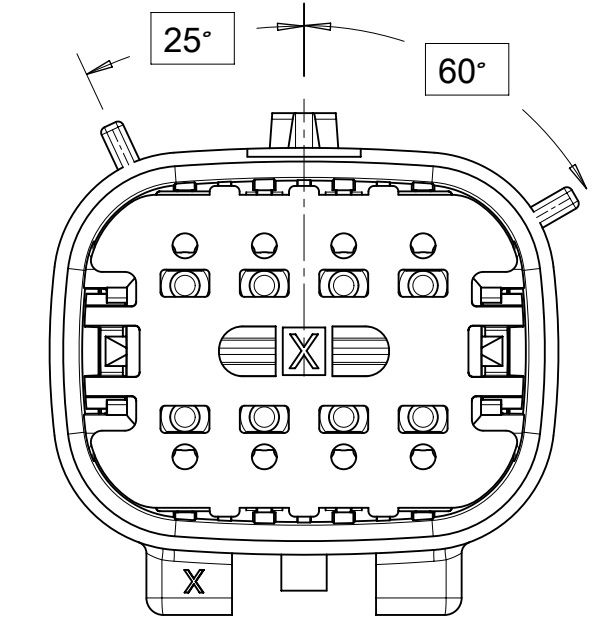
18 17 16 15 14 13 12 11 10 9 8 7 6 5 4 3 2 1

SHEET DESCRIPTION
KEY CONFIGURATIONS

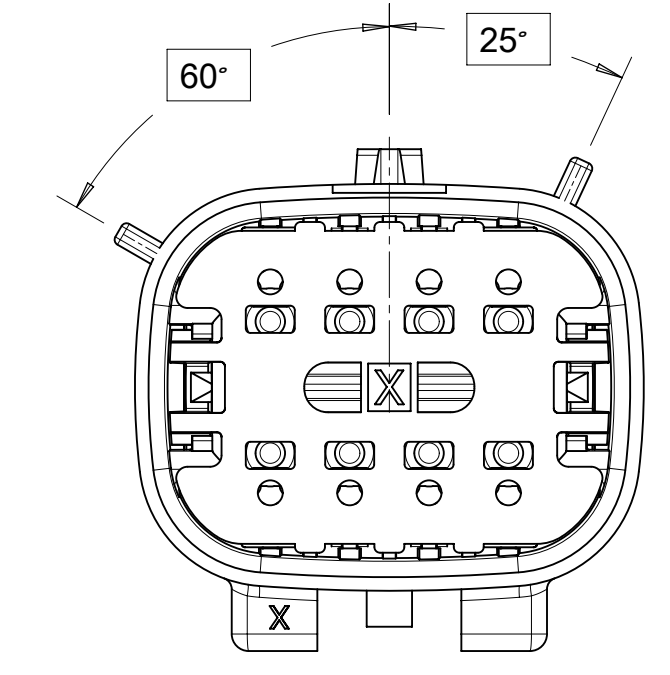
2X4



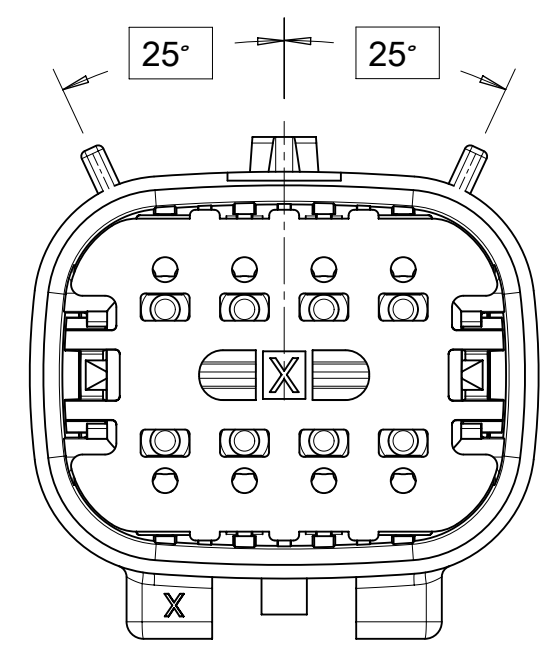
KEY A



KEY B



KEY C



KEY D

THIS DRAWING CONTAINS INFORMATION THAT IS PROPRIETARY TO MOLEX ELECTRONIC TECHNOLOGIES, LLC AND SHOULD NOT BE USED WITHOUT WRITTEN PERMISSION

SYMBOLS	DIMENSION UNITS	SCALE
	mm	3:1
	GENERAL TOLERANCES (UNLESS SPECIFIED)	
	ANGULAR TOL ± 3.0°	
	4 PLACES	±
	3 PLACES	±
	2 PLACES	± 0.1
	1 PLACE	± 0.2
	0 PLACES	±
	DRAFT WHERE APPLICABLE MUST REMAIN WITHIN DIMENSIONS	

CURRENT REV DESC:		
EC NO:	171650	
DRWN:	PMANJUNATHAC	2018/01/01
CHK'D:	MVANSLAMBROU	2018/02/16
APPR:	MVANSLAMBROU	2018/02/16
INITIAL REVISION:		
DRWN:	KBORUSZEWSKI	2014/02/19
APPR:	VKOSHY	2014/03/05
THIRD ANGLE PROJECTION	DRAWING	SERIES
	A1-SIZE	160011

molex

MX150 GEN 2 BLADE
DUAL ROW SEALED ASSEMBLY MAT SEAL

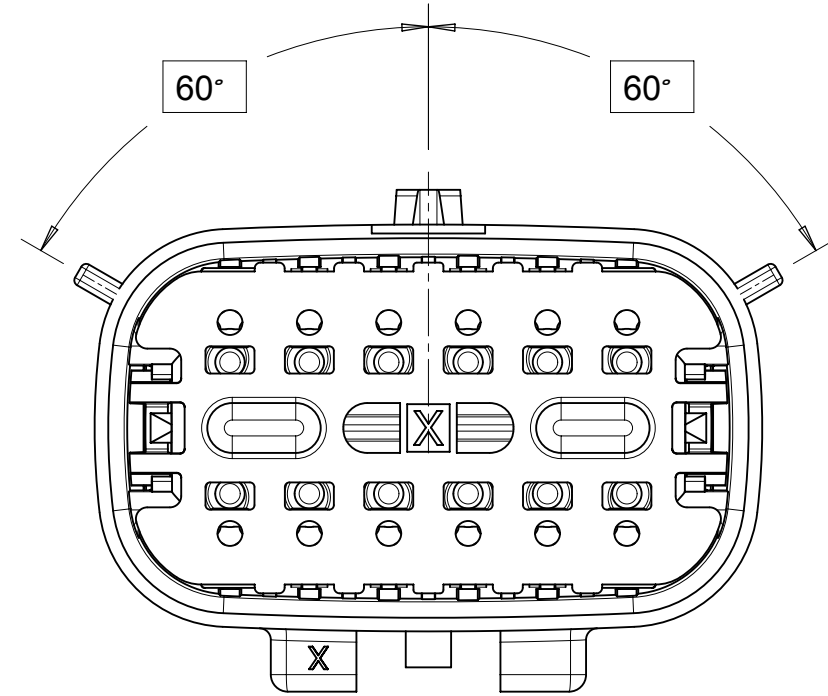
PRODUCT CUSTOMER DRAWING

DOCUMENT NUMBER	DOC TYPE	DOC PART	REVISION
SD-160011-0001	PSD	001	A5

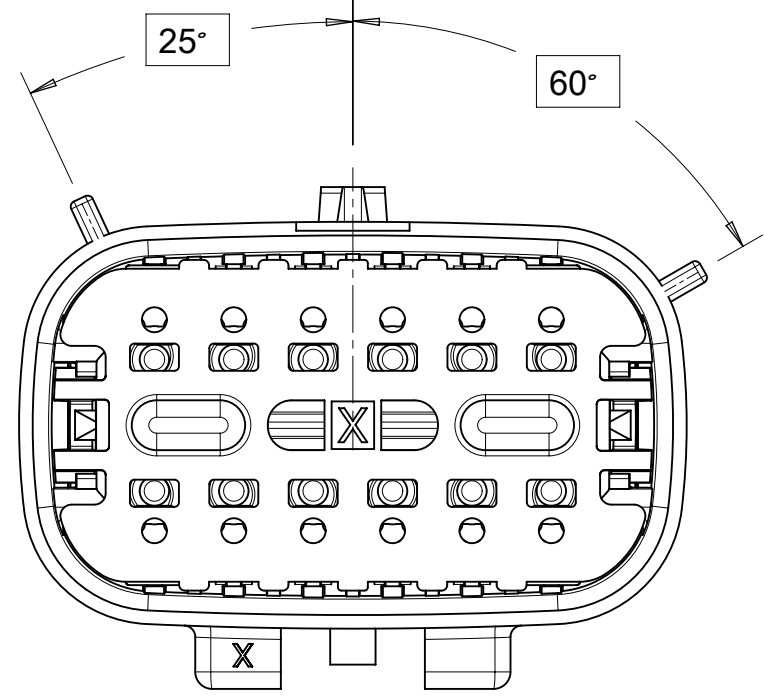
MATERIAL NUMBER	CUSTOMER	SHEET NUMBER
	GENERAL MARKET	3 OF 11

SHEET DESCRIPTION
KEY CONFIGURATIONS CONT.

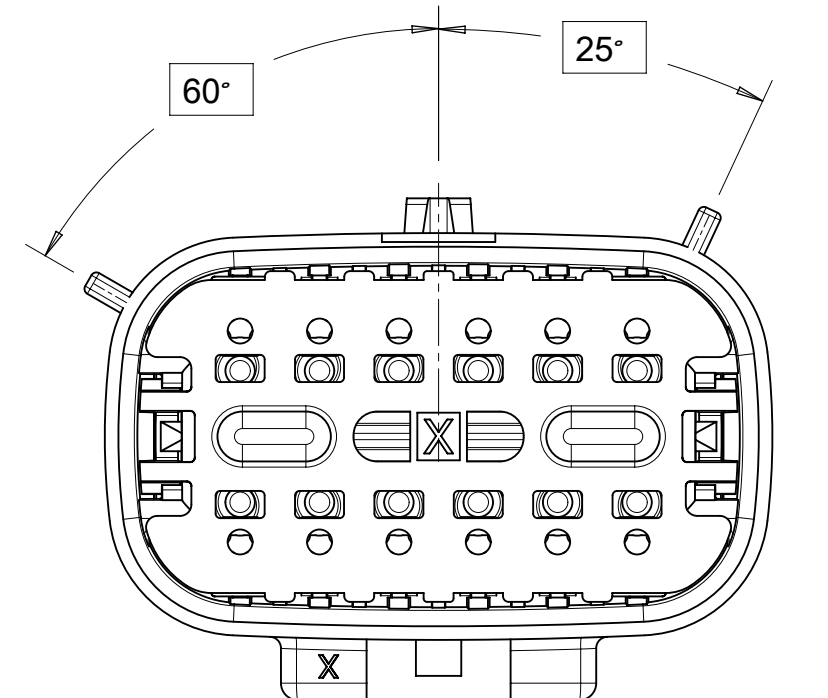
2X6



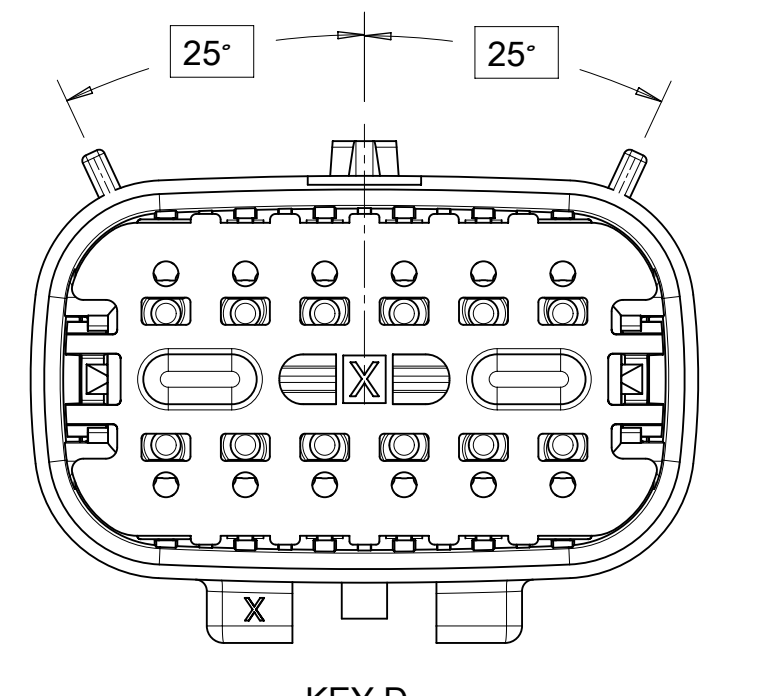
KEY A



KEY B

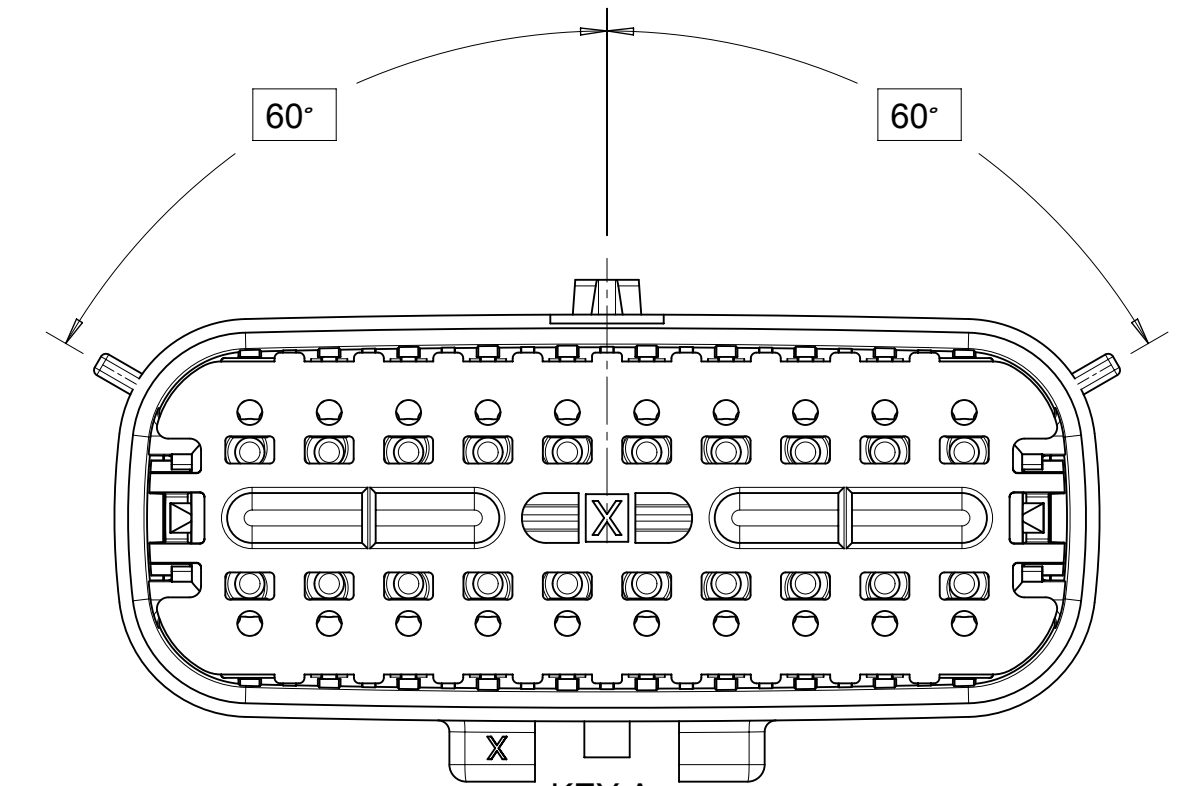


KEY C

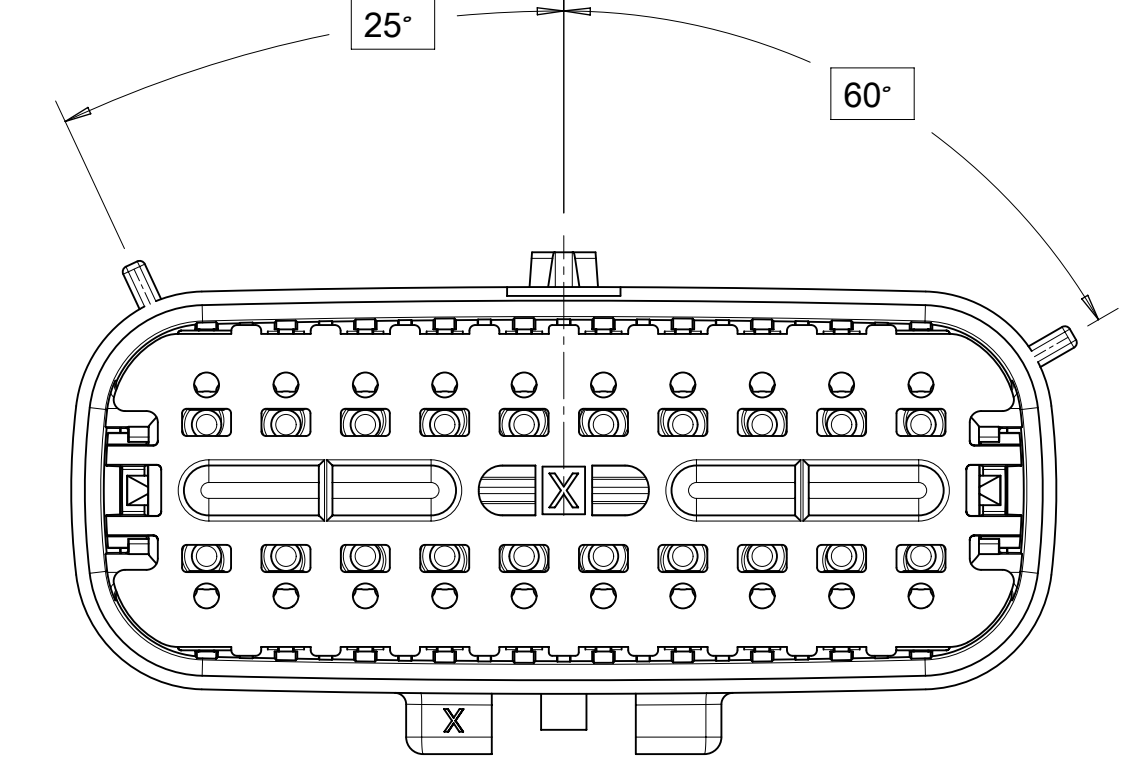


KEY D

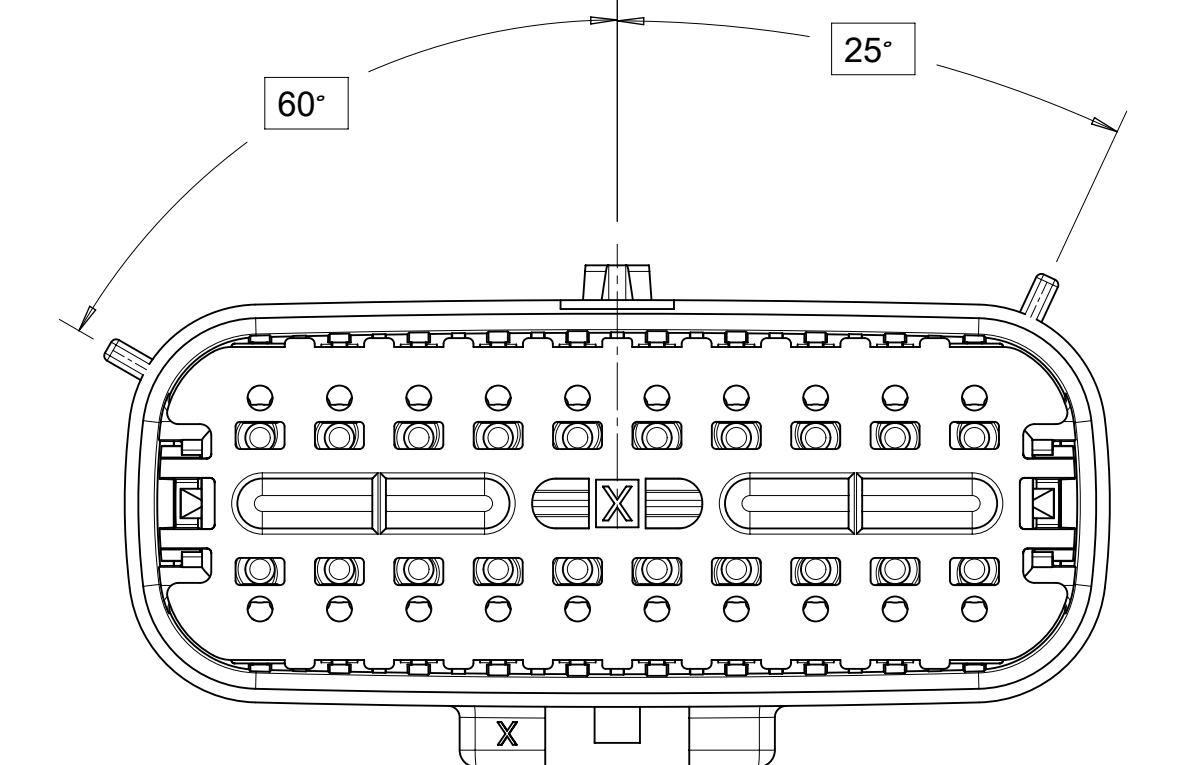
2X10



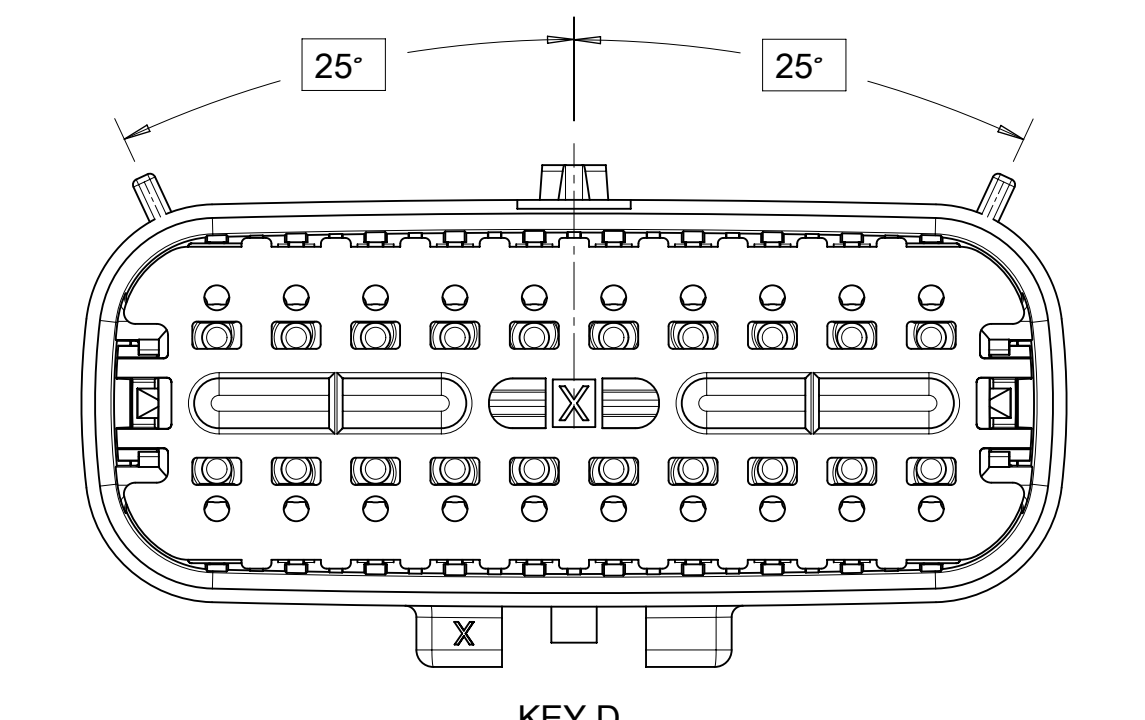
KEY A



KEY B



KEY C



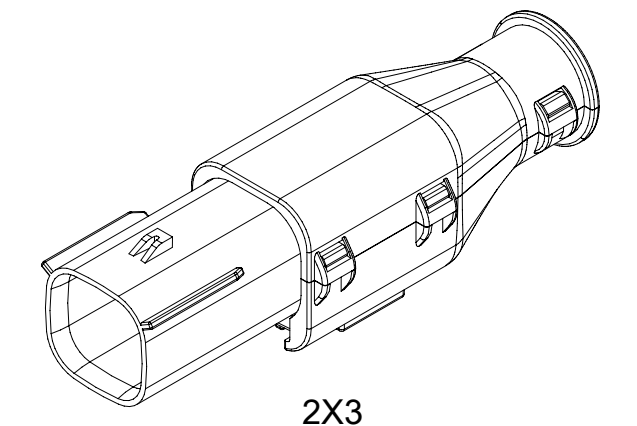
KEY D

SYMBOLS = 0 = 0 = 0 = 0 = 0 = 0 = 0 = 0 = 0 = 0	THIS DRAWING CONTAINS INFORMATION THAT IS PROPRIETARY TO MOLEX ELECTRONIC TECHNOLOGIES, LLC AND SHOULD NOT BE USED WITHOUT WRITTEN PERMISSION DIMENSION UNITS: mm SCALE: 3:1	CURRENT REV DESC: EC NO: 171650 DRWN: PMANJUNATHAC 2018/01/01 CHK'D: MVANSLAMBROU 2018/02/16 APPR: MVANSLAMBROU 2018/02/16	 MX150 GEN 2 BLADE DUAL ROW SEALED ASSEMBLY MAT SEAL		
	GENERAL TOLERANCES (UNLESS SPECIFIED) ANGULAR TOL ± 3.0° 4 PLACES ± 3 PLACES ± 2 PLACES ± 0.1 1 PLACE ± 0.2 0 PLACES ±	INITIAL REVISION: DRWN: KBORUSZEWSKI 2014/02/19 APPR: VKOSHY 2014/03/05			
DRAFT WHERE APPLICABLE MUST REMAIN WITHIN DIMENSIONS	THIRD ANGLE PROJECTION 	DRAWING: A1-SIZE SERIES: 160011	MATERIAL NUMBER CUSTOMER: GENERAL MARKET	SHEET NUMBER 4 OF 11	

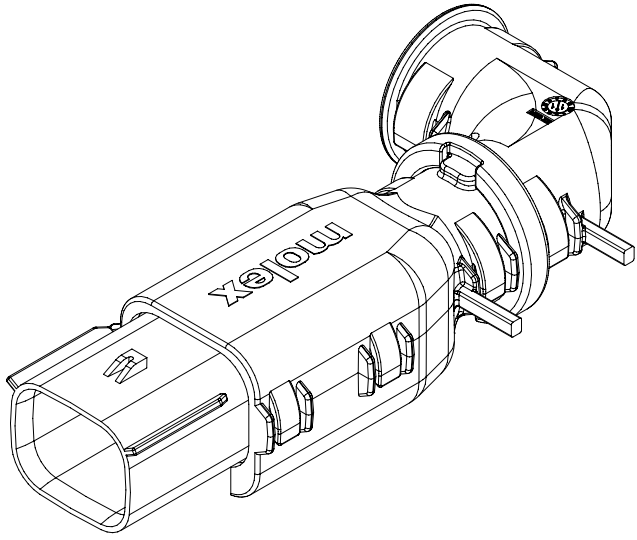
SHEET DESCRIPTION
BACKSHELL NOTES

BACKSHELL NOTES: VALID UNLESS OTHERWISE SPECIFIED

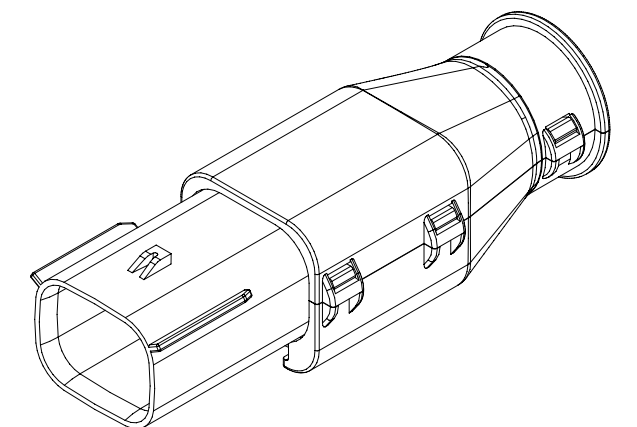
1. GENERAL:
a. APPLICATION SPECIFICATION SEE: AS-34951-001
-DESIGNED TO MATE WITH BLADE SEALED ASSEMBLY
-SPECIFIED IN MOLEX DRAWING SD-33482-0001
-SYSTEM TO BE USED WITH WIRE WITHIN DIAMETER RANGE OF 1.2mm TO 2.69mm
-COMPONENTS ARE OPTIONAL AND MUST BE PURCHASED SEPERATELY
-DESIGN IS OWNED BY SCHLEMMER FOR SCHLEMMER BACKSHELL.
-DESIGN IS OWNED BY MOLEX FOR MOLEX BACKSHELL.
-90° ADAPTOR DESIGN IS OWNED BY MOLEX.
-FOR ADDITIONAL INFORMATION SEE THE BACKSHELL COMPONENT DRAWING SD-34950-0001



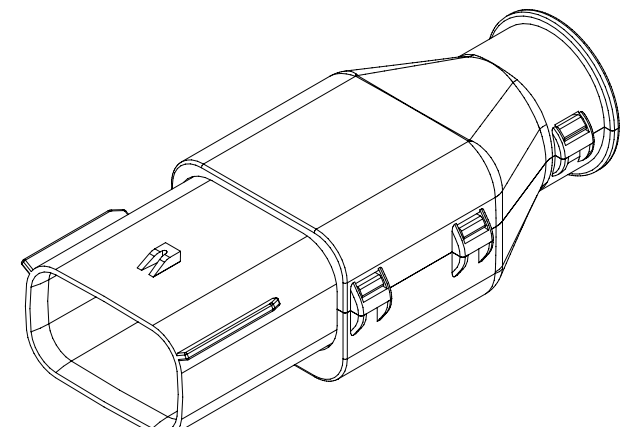
2X3



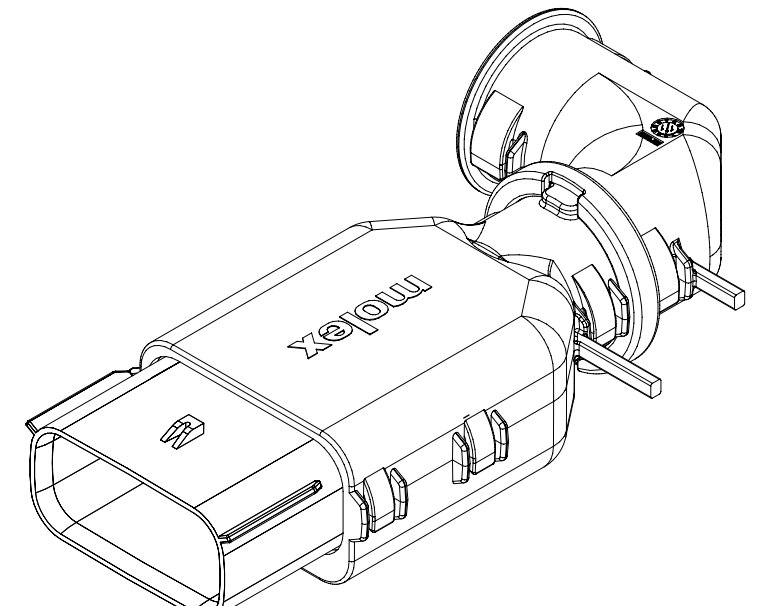
2X4



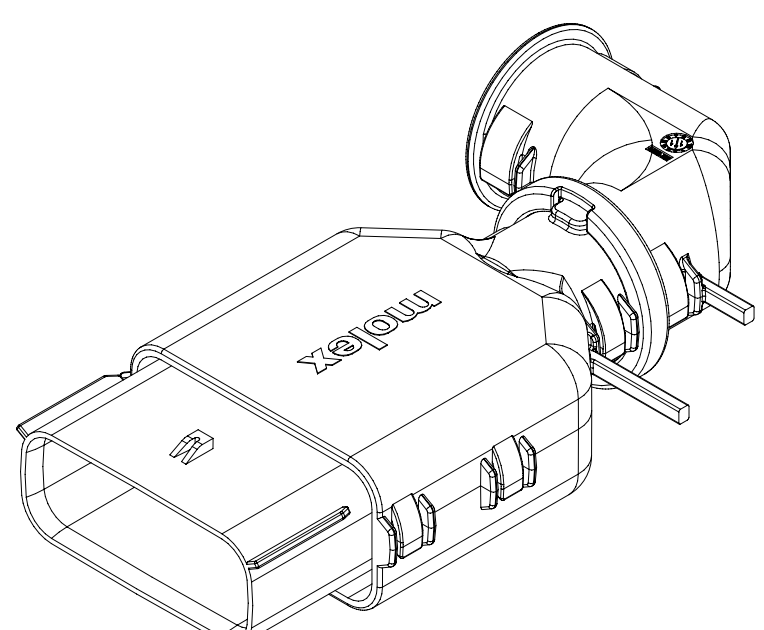
2X4



2X6



2X8



2X10

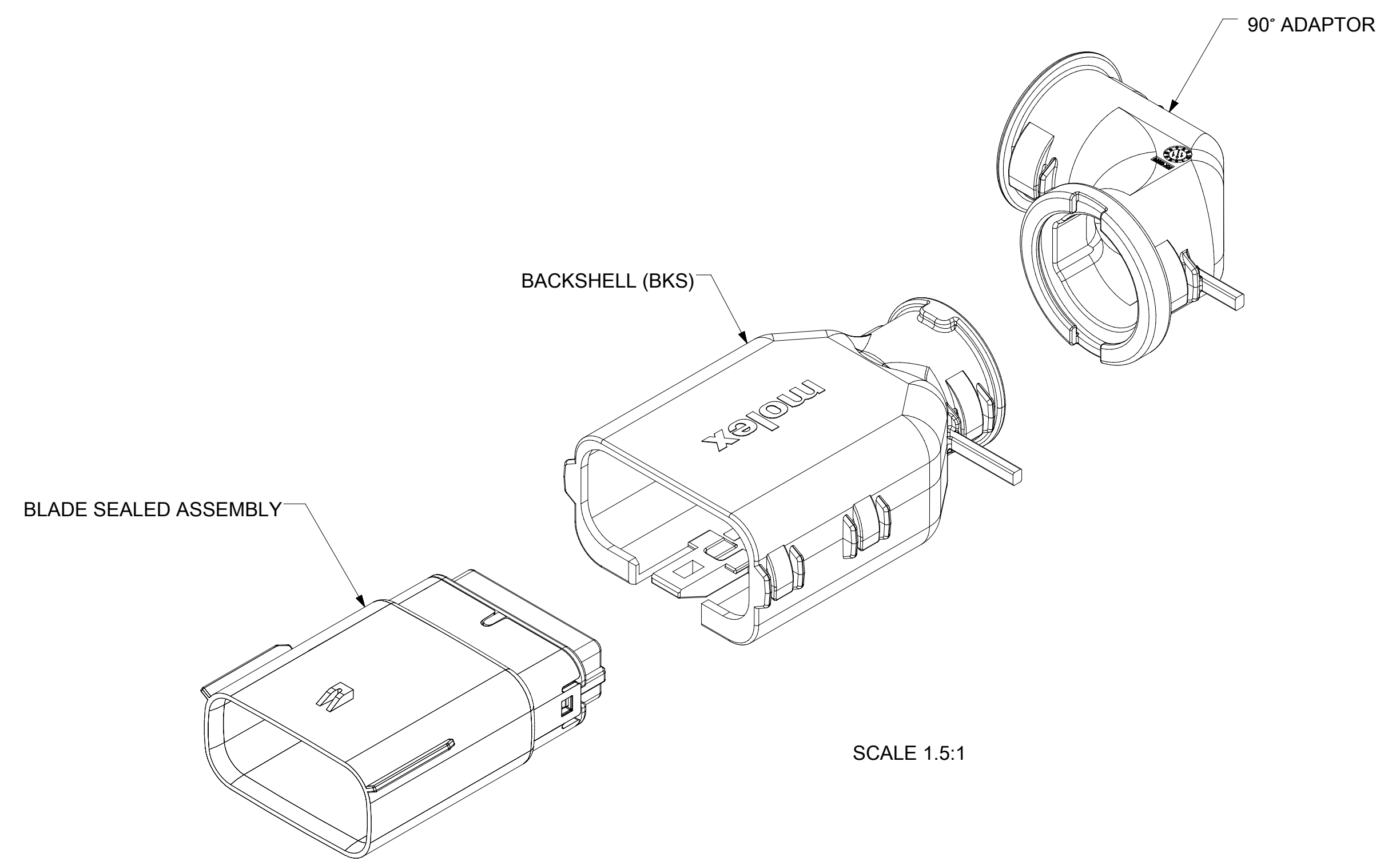
BACKSHELL CUSTOMER MODEL NUMBER LEGEND

34950-XXXX

- CUSTOMER MODEL COMPONENTS
0 - SCHLEMMER BACKSHELL ONLY
1 - SCHLEMMER BACKSHELL & MX150 HOUSING KEY A ASSEMBLY
2 - SCHLEMMER BACKSHELL & MX150 HOUSING KEY B ASSEMBLY
3 - SCHLEMMER BACKSHELL & MX150 HOUSING KEY C ASSEMBLY
4 - SCHLEMMER BACKSHELL & MX150 HOUSING KEY D ASSEMBLY
5 - MOLEX BACKSHELL ONLY
6 - MOLEX BACKSHELL & MX150 HOUSING KEY A ASSEMBLY
7 - MOLEX BACKSHELL & MX150 HOUSING KEY B ASSEMBLY
8 - MOLEX BACKSHELL & MX150 HOUSING KEY C ASSEMBLY
9 - MOLEX BACKSHELL & MX150 HOUSING KEY D ASSEMBLY

- BACKSHELL FEATURES
1 - WITH RIBS
2 - WITHOUT RIBS
3 - 90° ADAPTOR

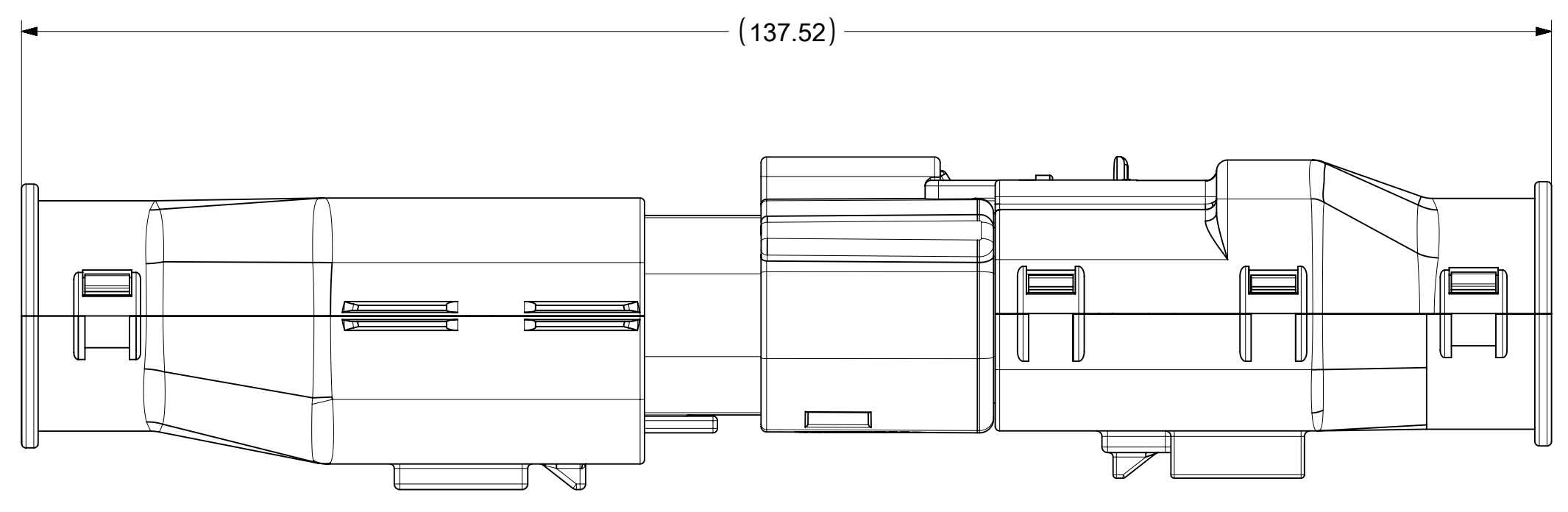
MX150 CIRCUIT SIZE 04, 06, 08, 12, 16, 20



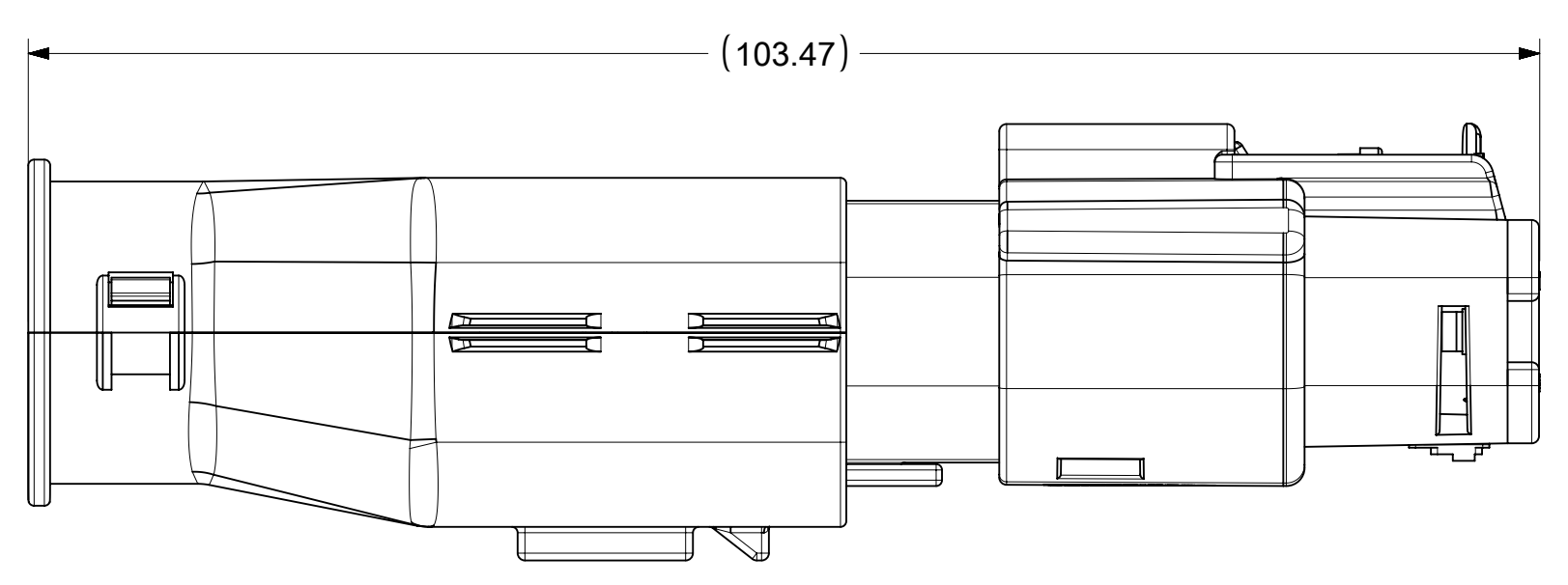
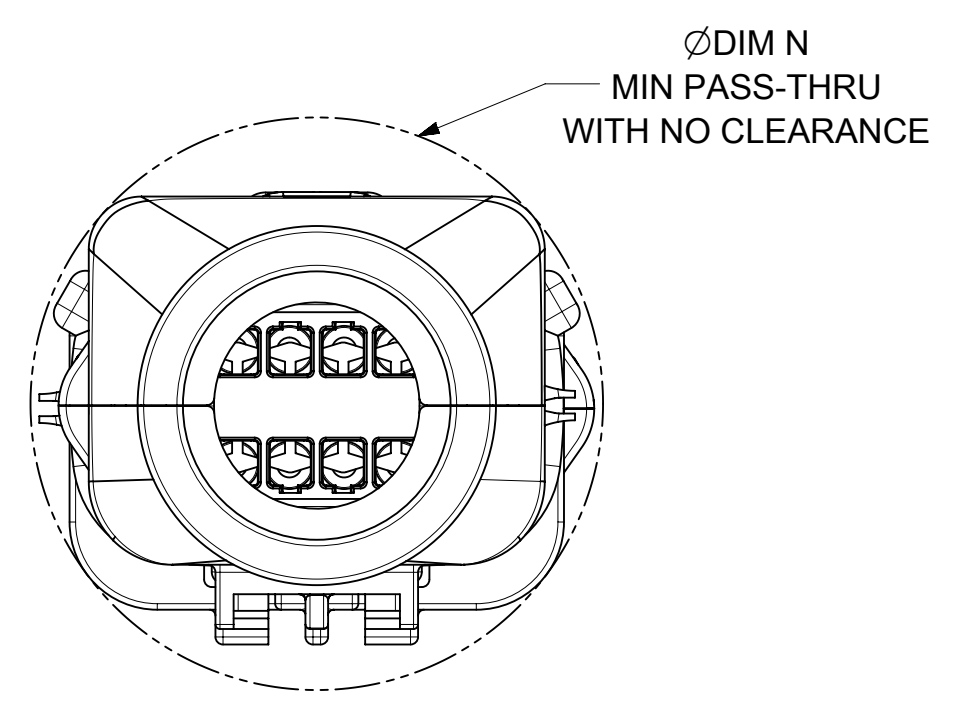
SYMBOLS = 0 = 0 = 0 = 0 = 0 = 0 = 0 = 0 = 0	THIS DRAWING CONTAINS INFORMATION THAT IS PROPRIETARY TO MOLEX ELECTRONIC TECHNOLOGIES, LLC AND SHOULD NOT BE USED WITHOUT WRITTEN PERMISSION		DIMENSION UNITS mm		SCALE 1.5:1	CURRENT REV DESC: EC NO: 171650 DRWN: PMANJUNATHAC 2018/01/01 CHK'D: MVANSLAMBROU 2018/02/16 APPR: MVANSLAMBROU 2018/02/16							
	GENERAL TOLERANCES (UNLESS SPECIFIED) ANGULAR TOL ± 3.0°		4 PLACES ± 3 PLACES ± 2 PLACES ± 0.1 1 PLACE ± 0.2 0 PLACES ±		INITIAL REVISION: DRWN: KBORUSZEWSKI 2014/02/19 APPR: VKOSHY 2014/03/05				PRODUCT CUSTOMER DRAWING				
	DRAFT WHERE APPLICABLE MUST REMAIN WITHIN DIMENSIONS		THIRD ANGLE PROJECTION		DRAWING A1-SIZE		SERIES 160011		DOCUMENT NUMBER SD-160011-0001		DOC TYPE PSD	DOC PART 001	REVISION A5
							MATERIAL NUMBER CUSTOMER GENERAL MARKET		SHEET NUMBER 7 OF 11				

SHEET DESCRIPTION
SCHLEMMER BACKSHELL CONFIGURATIONS

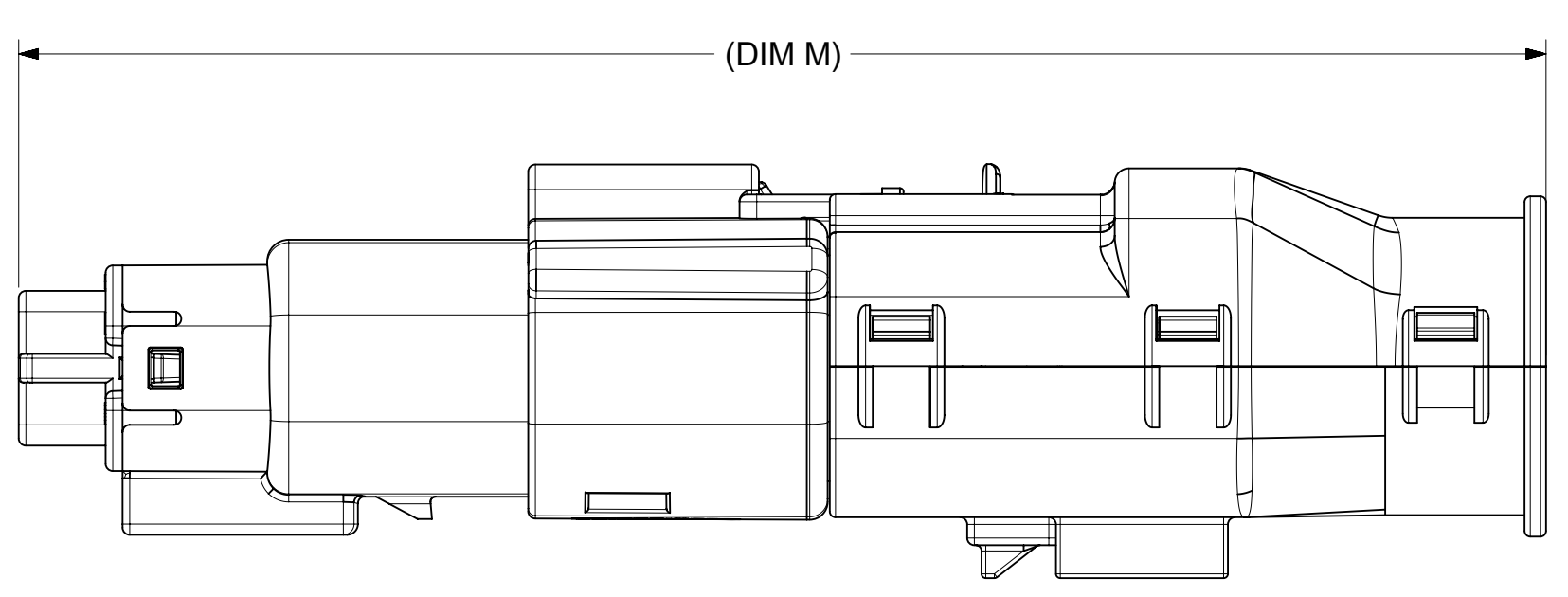
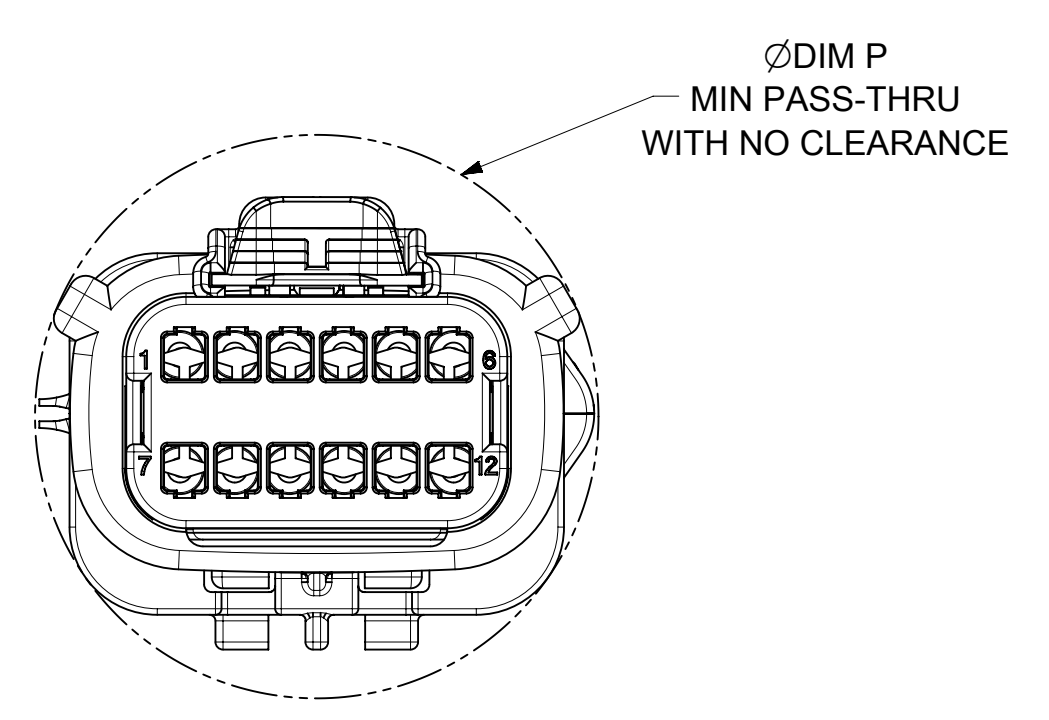
CKT	BLADE CONFIGURATION	RECEPTACLE CONFIGURATION	CHARTED DIMENSION				
			DIMENSIONS				
			M	N	P	R	S
2X6	STANDARD	STANDARD	106.83	37.84	37.27	35.83	36.83



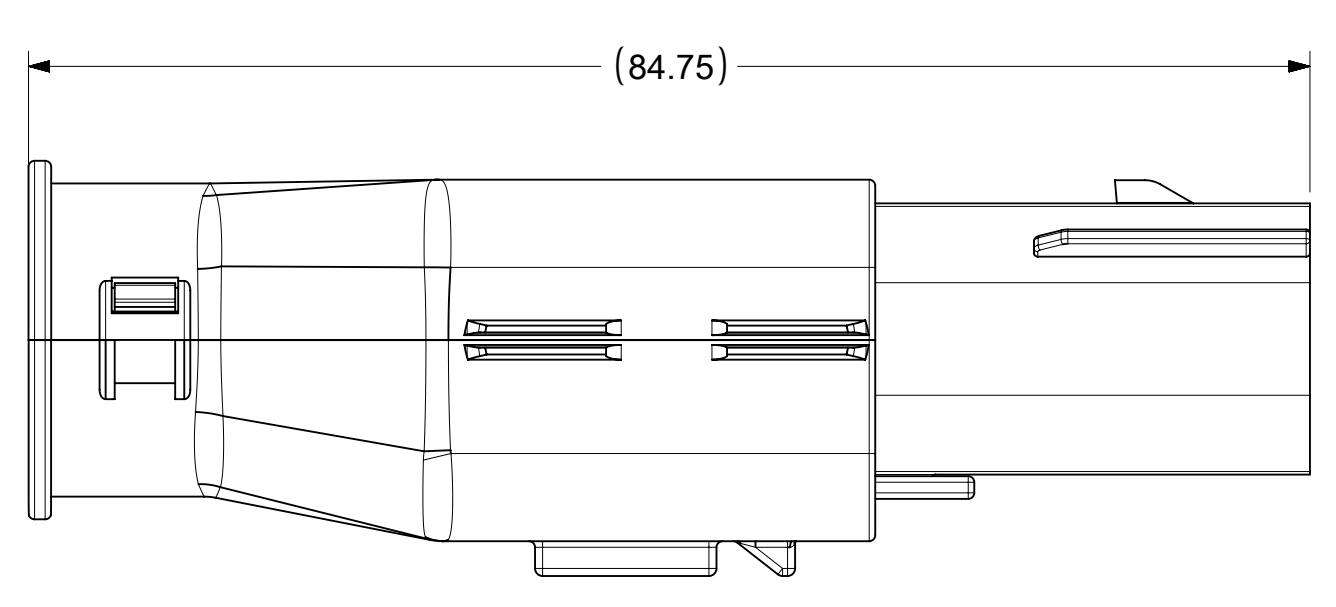
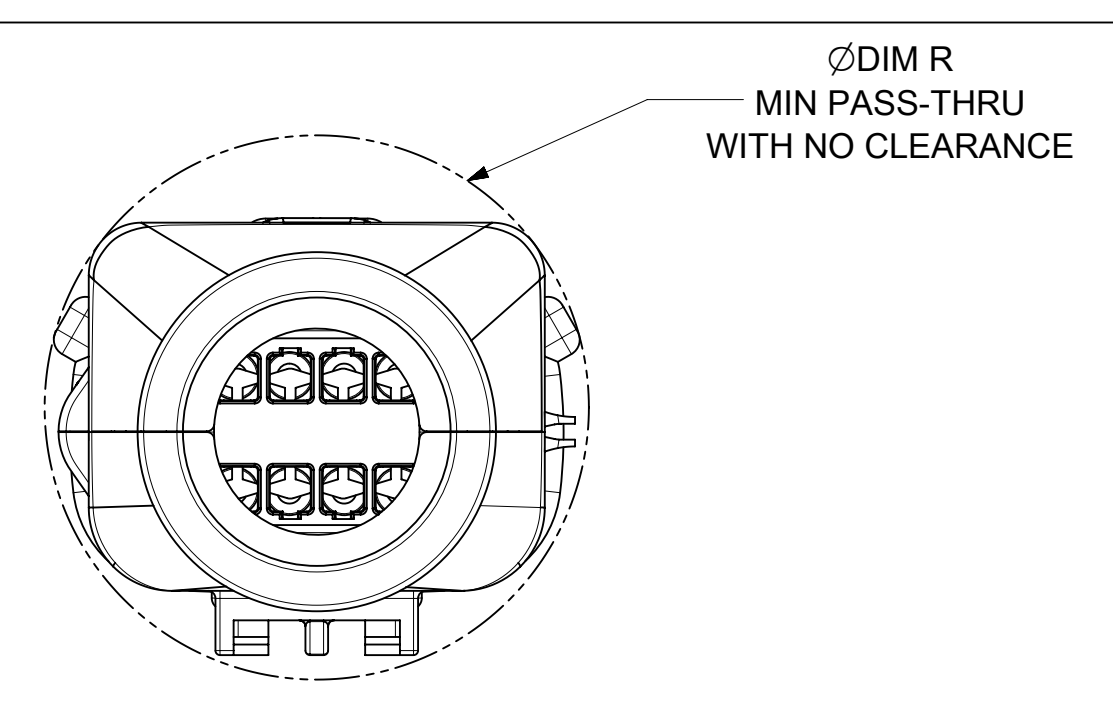
OVERALL MATED SYSTEM WITH BLADE AND RECEPTACLE BACKSHELL



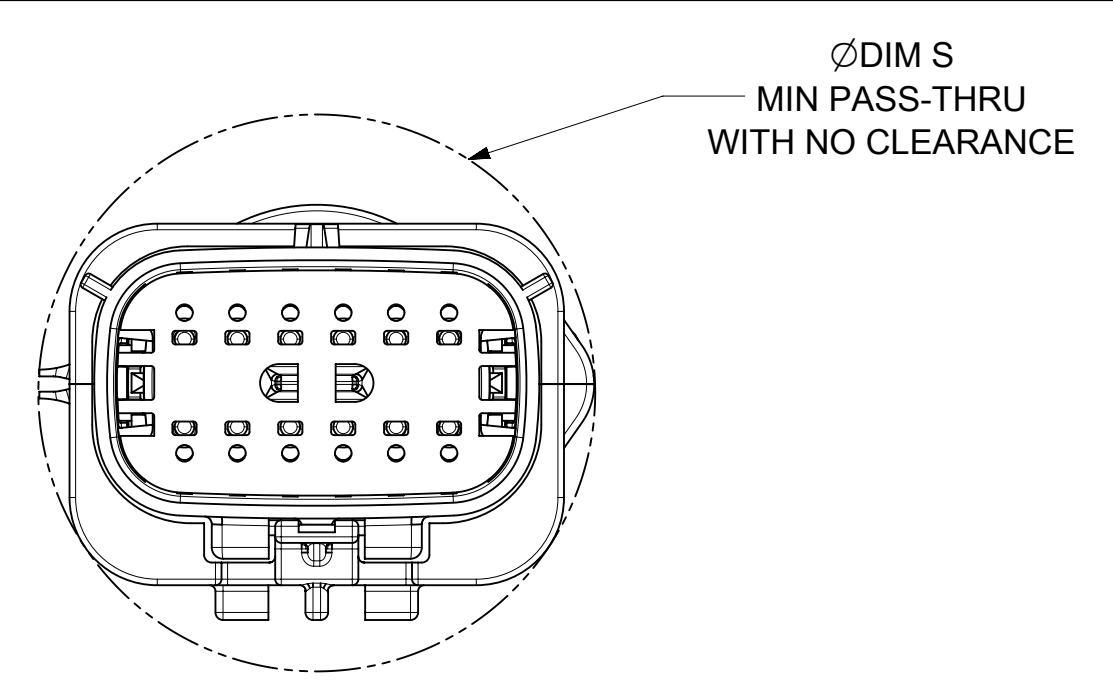
OVERALL MATED SYSTEM WITH BLADE BACKSHELL



OVERALL MATED SYSTEM WITH RECEPTACLE BACKSHELL

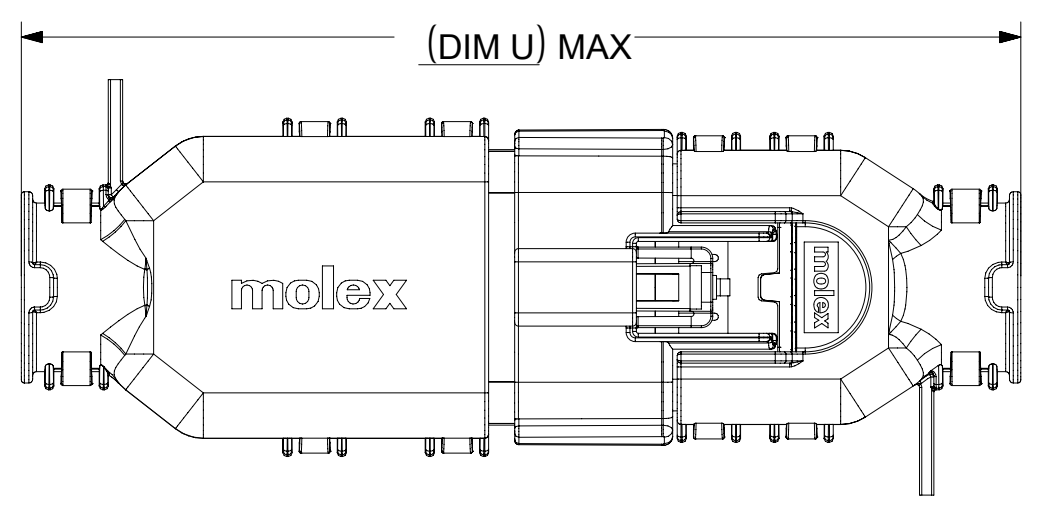


BLADE SEALED ASSEMBLY WITH BLADE BACKSHELL

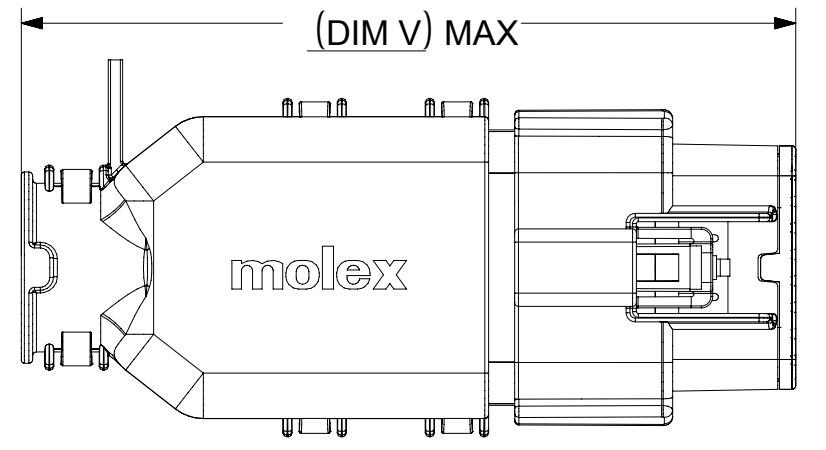
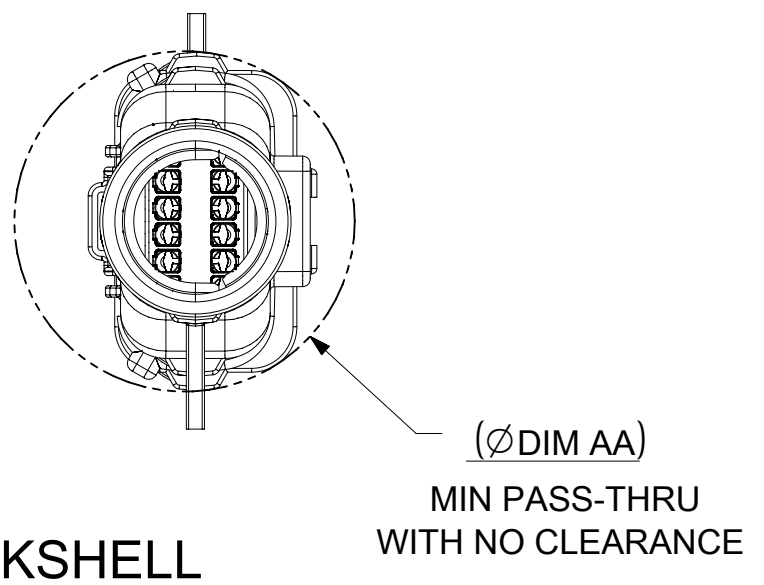


SYMBOLS THIS DRAWING CONTAINS INFORMATION THAT IS PROPRIETARY TO MOLEX ELECTRONIC TECHNOLOGIES, LLC AND SHOULD NOT BE USED WITHOUT WRITTEN PERMISSION DIMENSION UNITS: mm SCALE: 2:1 GENERAL TOLERANCES (UNLESS SPECIFIED): ANGULAR TOL: ± 3.0° 4 PLACES: ± 3 PLACES: ± 2 PLACES: ± 0.1 1 PLACE: ± 0.2 0 PLACES: ± DRAFT WHERE APPLICABLE MUST REMAIN WITHIN DIMENSIONS	CURRENT REV DESC: EC NO: 171650 DRWN: PMANJUNATHAC 2018/01/01 CHK'D: MVANSLAMBROU 2018/02/16 APPR: MVANSLAMBROU 2018/02/16 INITIAL REVISION: DRWN: KBORUSZEWSKI 2014/02/19 APPR: VKOSHY 2014/03/05		 MX150 GEN 2 BLADE DUAL ROW SEALED ASSEMBLY MAT SEAL	
	PRODUCT CUSTOMER DRAWING DOCUMENT NUMBER: SD-160011-0001 DOC TYPE: PSD DOC PART: 001 REVISION: A5			
	THIRD ANGLE PROJECTION 		MATERIAL NUMBER: 160011 CUSTOMER: GENERAL MARKET SHEET NUMBER: 10 OF 11	
	DRAWING: A1-SIZE SERIES: 160011			

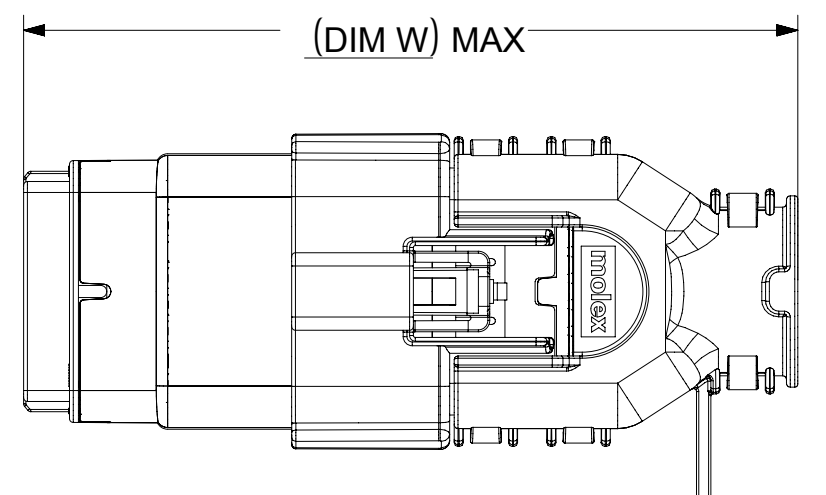
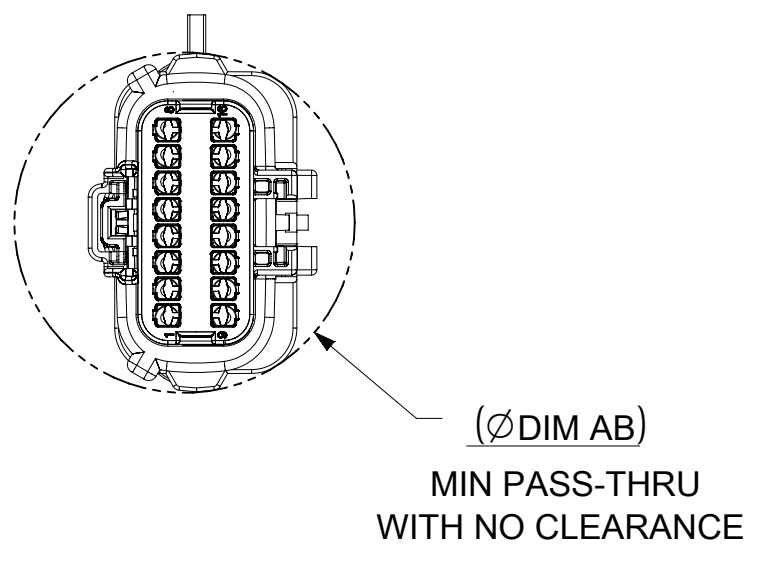
SHEET DESCRIPTION
MOLEX BACKSHELL CONFIGURATIONS



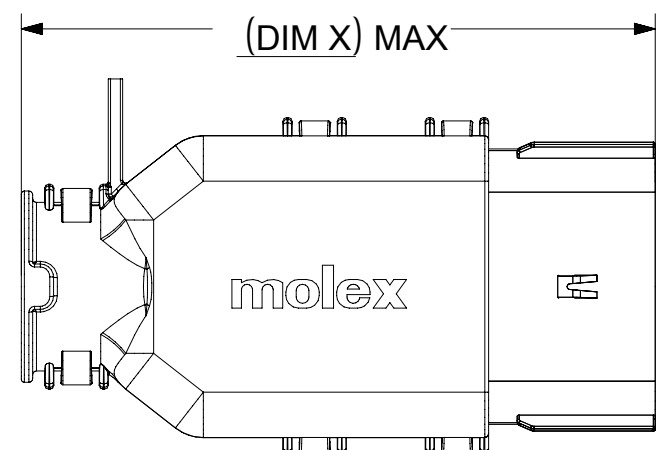
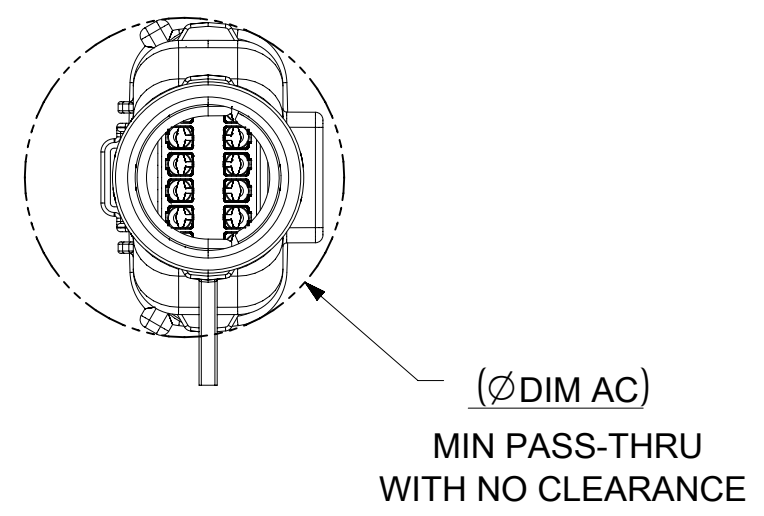
OVERALL MATED SYSTEM WITH BLADE AND RECEPTACLE BACKSHELL



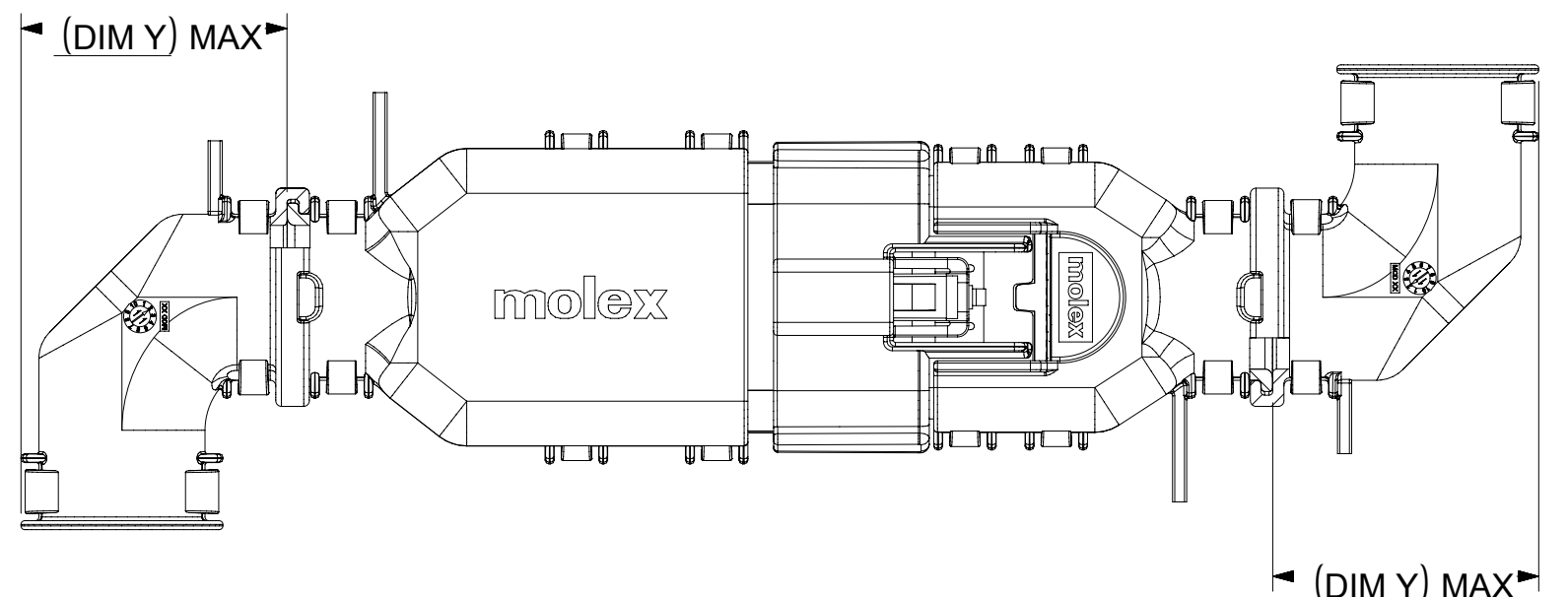
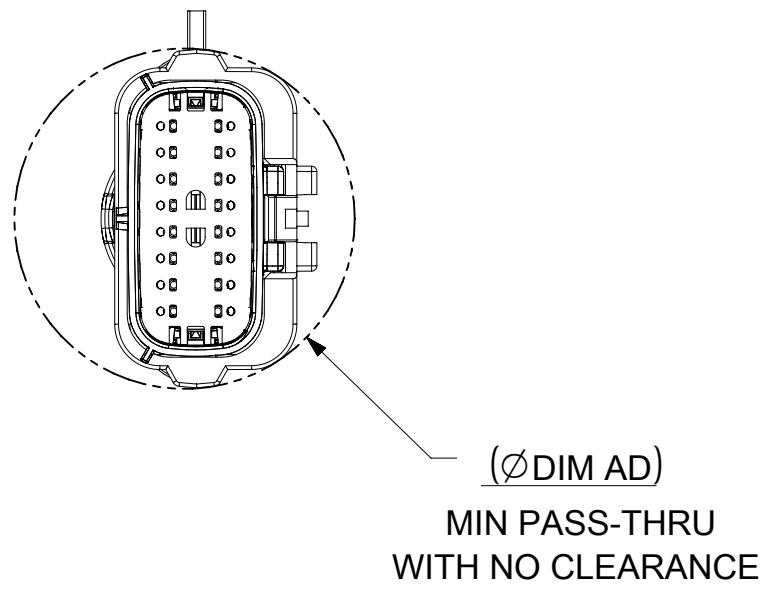
OVERALL MATED SYSTEM WITH BLADE BACKSHELL



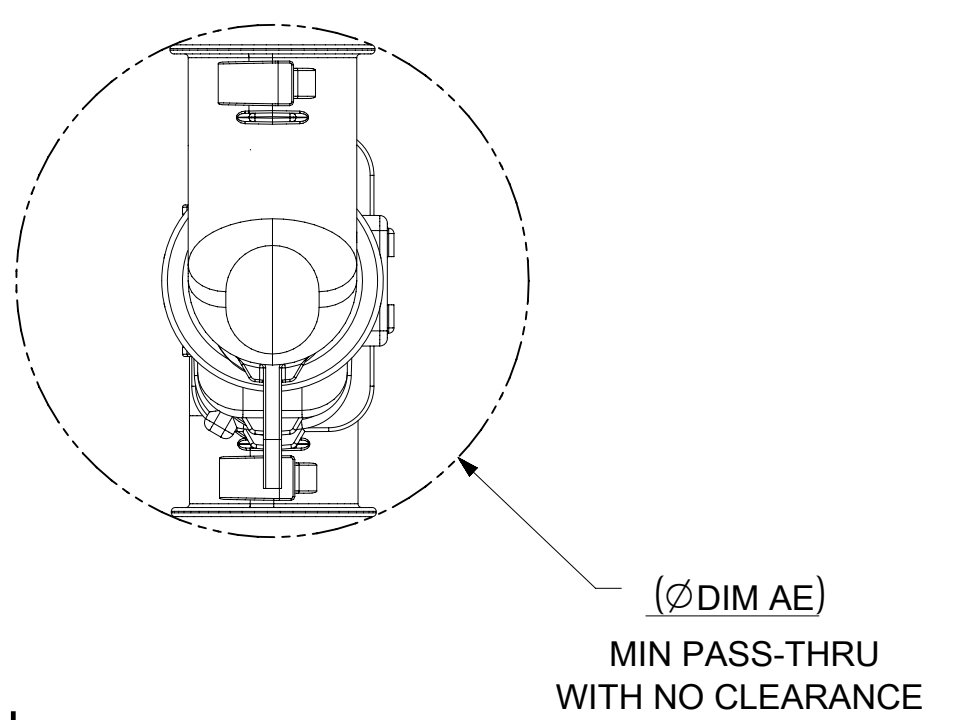
OVERALL MATED SYSTEM WITH RECEPTACLE BACKSHELL



BLADE SEALED ASSEMBLY WITH BLADE BACKSHELL



ADD THE VALUE OF 'Y' TO THE TOTAL DIMENSION WHENEVER ADAPTOR IS USED

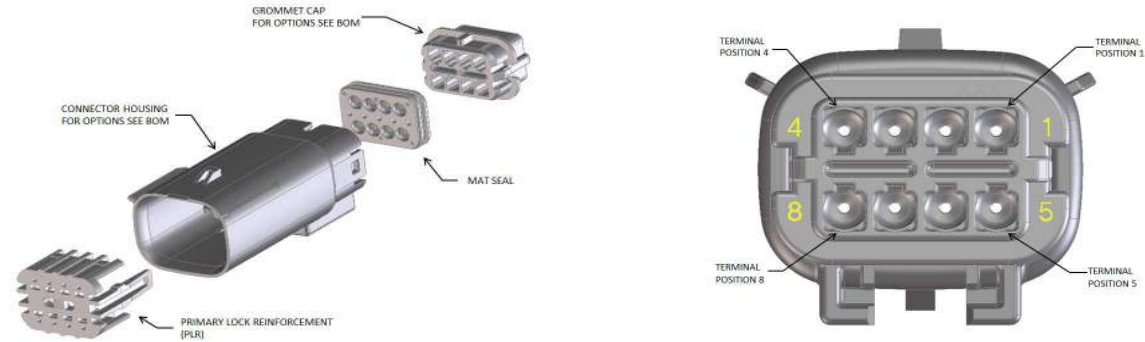


CHARTED DIMENSIONS

CKT	BLADE CONFIGURATION	RECEPTACLE CONFIGURATION	DIMENSIONS									
			U	V	W	X	Y	AA	AB	AC	AD	AE
2X4	STANDARD	STANDARD	115.29	94.34	93.98	75.62	32.10	32.93	32.54	32.85	31.76	56.81
2X8	STANDARD	STANDARD	N/A	N/A	N/A	N/A	N/A	N/A	N/A	N/A	N/A	N/A
2X10	STANDARD	STANDARD	132.54	102.79	102.78	84.07	36.10	45.44	45.44	42.65	45.44	68.18

SYMBOLS = 0 = 0 = 0 = 0 = 0 = 0 = 0 = 0 = 0 = 0	THIS DRAWING CONTAINS INFORMATION THAT IS PROPRIETARY TO MOLEX ELECTRONIC TECHNOLOGIES, LLC AND SHOULD NOT BE USED WITHOUT WRITTEN PERMISSION		CURRENT REV DESC:		 MX150 GEN 2 BLADE DUAL ROW SEALED ASSEMBLY MAT SEAL PRODUCT CUSTOMER DRAWING
	DIMENSION UNITS: mm SCALE: 1:1 GENERAL TOLERANCES (UNLESS SPECIFIED) ANGULAR TOL ± 3.0°	EC NO: 171650 DRWN: PMANJUNATHAC 2018/01/01 CHK'D: MVANSLAMBROU 2018/02/16 APPR: MVANSLAMBROU 2018/02/16		DOCUMENT NUMBER: SD-160011-0001 DOC TYPE: PSD DOC PART: 001 REVISION: A5	
INITIAL REVISION: DRWN: KBORUSZEWSKI 2014/02/19 APPR: VKOSHY 2014/03/05	DRAFT WHERE APPLICABLE MUST REMAIN WITHIN DIMENSIONS	THIRD ANGLE PROJECTION	DRAWING: A1-SIZE	SERIES: 160011	MATERIAL NUMBER: _____ CUSTOMER: GENERAL MARKET SHEET NUMBER: 11 OF 11

MX150 GEN 2 BLADE 2X4 SEALED ASSEMBLY MAT SEAL
BOM AND PIN OUT SHEET

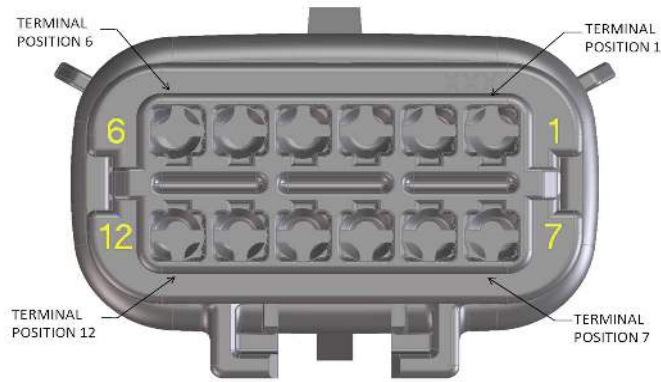
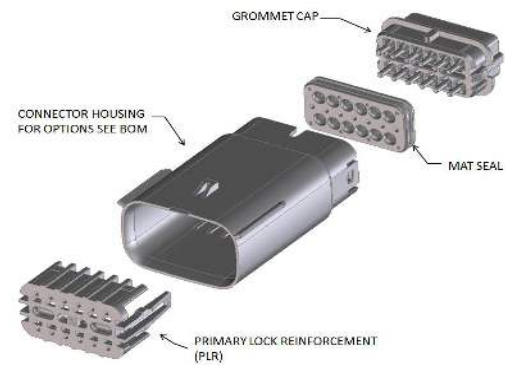


ABBREVIATION	DESCRIPTION	COLOR	MATERIAL
A-BLK-CLIP	HOUSING KEYING OPTION A WITH CLIPSLOT	BLACK	SPS/NYLON GF20
B-LG-CLIP	HOUSING KEYING OPTION B WITH CLIPSLOT	LIGHT GRAY	SPS/NYLON GF20
C-DG-CLIP	HOUSING KEYING OPTION C WITH CLIPSLOT	DARK GRAY	SPS/NYLON GF20
D-SG-CLIP	HOUSING KEYING OPTION D WITH CLIPSLOT	STONE GRAY	SPS/NYLON GF20
GCP	GROMMET CAP (PLUGGED)	BLACK	SPS/NYLON GF20
GCO	GROMMET CAP (OPEN)	BLACK	SPS/NYLON GF20
PLR-1	PLR-1	NATURAL	SPS/NYLON GF20
PLR-3	PLR-3	NATURAL	SPS/NYLON GF20
M-R	MAT SEAL	RUST RED	INHERENTLY LUBRICATED SILICONE
M-B	MAT SEAL	ROYAL BLUE	INHERENTLY LUBRICATED SILICONE

FOR ADDITIONAL INFORMATION SEE SD-160011-0001

ASSEMBLY DESCRIPTION	ASSEMBLY PART NUMBER	COMPONENT				BLOCKED TERMINALS								STATUS	COMMENTS	OPTIONAL ATTACHMENTS SOLD SEPERATELY					
		THE PRESENCE OF AN ABBREVIATION INDICATES THE PRESENCE OF THAT COMPONENT.				CAVITY WITH A NUMBER INDICATES BLOCKED TERMINAL POSITION CAVITY WITHOUT A NUMBER INDICATES OPEN TERMINAL POSITION										BACKSHELL WITH RIBS	BACKSHELL WITHOUT RIBS	90° ADAPTOR WITH RIBS	90° ADAPTOR WITHOUT RIBS		
		HOUSING KEY/COLOR	GROMMET CAP	PLR	MAT SEAL	1	2	3	4	5	6	7	8								
KEY A, BLACK, WITH CLIPSLOT	160011-4001	A-BLK-CLIP	GCO	PLR-1	M-R											PLANNED OBSOLECENCE		34950-0811	34950-0821	34951-0831	34951-0841
KEY B, LIGHT GRAY, WITH CLIPSLOT	160011-4002	B-LG-CLIP	GCO	PLR-1	M-R											PLANNED OBSOLECENCE		34950-0811	34950-0821	34951-0831	34951-0841
KEY C, DARK GRAY, WITH CLIPSLOT	160011-4003	C-DG-CLIP	GCO	PLR-1	M-R											PLANNED OBSOLECENCE		34950-0811	34950-0821	34951-0831	34951-0841
KEY D, STONE GRAY, WITH CLIPSLOT	160011-4004	D-SG-CLIP	GCO	PLR-1	M-R											PLANNED OBSOLECENCE		34950-0811	34950-0821	34951-0831	34951-0841
KEY A, BLACK, WITH CLIPSLOT	160011-4007	A-BLK-CLIP	GCP	PLR-1	M-R	1	2	3	4	5	6	7	8			PLANNED OBSOLECENCE		34950-0811	34950-0821	34951-0831	34951-0841
KEY B, LIGHT GRAY, WITH CLIPSLOT	160011-4008	B-LG-CLIP	GCP	PLR-1	M-R	1	2	3	4	5	6	7	8			PLANNED OBSOLECENCE		34950-0811	34950-0821	34951-0831	34951-0841
KEY C, DARK GRAY, WITH CLIPSLOT	160011-4009	C-DG-CLIP	GCP	PLR-1	M-R	1	2	3	4	5	6	7	8			PLANNED OBSOLECENCE		34950-0811	34950-0821	34951-0831	34951-0841
KEY D, STONE GRAY, WITH CLIPSLOT	160011-4010	D-SG-CLIP	GCP	PLR-1	M-R	1	2	3	4	5	6	7	8			PLANNED OBSOLECENCE		34950-0811	34950-0821	34951-0831	34951-0841
KEY A, BLACK, WITH CLIPSLOT	160011-4013	A-BLK-CLIP	GCP	PLR-1	M-R				4	5						PLANNED OBSOLECENCE		34950-0811	34950-0821	34951-0831	34951-0841
KEY A, BLACK, WITH CLIPSLOT	160011-4014	A-BLK-CLIP	GCP	PLR-1	M-R					5	6			8		PLANNED OBSOLECENCE		34950-0811	34950-0821	34951-0831	34951-0841
KEY A, BLACK, WITH CLIPSLOT	160011-4015	A-BLK-CLIP	GCP	PLR-1	M-R				4	5				8		SALEABLE		34950-0811	34950-0821	34951-0831	34951-0841
KEY A, BLACK, WITH CLIPSLOT	160121-4801	A-BLK-CLIP	GCO	PLR-3	M-B											OK TO TOOL		34950-0811	34950-0821	34951-0831	34951-0841
KEY B, LIGHT GRAY, WITH CLIPSLOT	160121-4802	B-LG-CLIP	GCO	PLR-3	M-B											OK TO TOOL		34950-0811	34950-0821	34951-0831	34951-0841
KEY A, BLACK, WITH CLIPSLOT	160121-4811	A-BLK-CLIP	GCP	PLR-3	M-B				4	5						OK TO TOOL		34950-0811	34950-0821	34951-0831	34951-0841
KEY A, BLACK, WITH CLIPSLOT	160121-4832	A-BLK-CLIP	GCP	PLR-3	M-B					5	6			8		OK TO TOOL		34950-0811	34950-0821	34951-0831	34951-0841
KEY A, BLACK, WITH CLIPSLOT	160121-4834	A-BLK-CLIP	GCP	PLR-3	M-B	1	2	3	4	5	6	7	8			OK TO TOOL		34950-0811	34950-0821	34951-0831	34951-0841
KEY B, LIGHT GRAY, WITH CLIPSLOT	160121-4847	B-LG-CLIP	GCP	PLR-3	M-B	1	2	3	4	5	6	7	8			OK TO TOOL		34950-0811	34950-0821	34951-0831	34951-0841
KEY C, DARK GRAY, WITH CLIPSLOT	160121-4852	C-DG-CLIP	GCO	PLR-3	M-B											OK TO TOOL		34950-0811	34950-0821	34951-0831	34951-0841
KEY D, STONE GRAY, WITH CLIPSLOT	160121-4853	D-SG-CLIP	GCO	PLR-3	M-B											OK TO TOOL		34950-0811	34950-0821	34951-0831	34951-0841
KEY A, BLACK, WITH CLIPSLOT	160121-4854	A-BLK-CLIP	GCP	PLR-3	M-B				4	5				8		OK TO TOOL		34950-0811	34950-0821	34951-0831	34951-0841

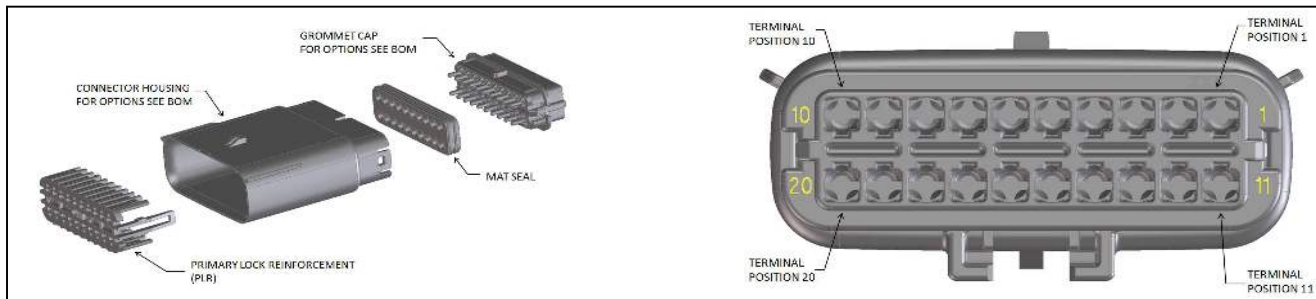
MX150 GEN 2 BLADE 2X6 SEALED ASSEMBLY MAT SEAL
BOM AND PIN OUT SHEET



ABBREVIATION	DESCRIPTION	COLOR	MATERIAL
A-BLK-CLIP	HOUSING KEYING OPTION A WITH CLIPSLOT	BLACK	SPS/NYLON GF20
B-LG-CLIP	HOUSING KEYING OPTION B WITH CLIPSLOT	LIGHT GRAY	SPS/NYLON GF20
C-DG-CLIP	HOUSING KEYING OPTION C WITH CLIPSLOT	DARK GRAY	SPS/NYLON GF20
D-SG-CLIP	HOUSING KEYING OPTION D WITH CLIPSLOT	STONE GRAY	SPS/NYLON GF20
GCP	GROMMET CAP (PLUGGED)	BLACK	SPS/NYLON GF20
PLR-1	PLR-1	NATURAL	SPS/NYLON GF20
PLR-3	PLR-3	NATURAL	SPS/NYLON GF20
M-R	MAT SEAL	RUST RED	INHERENTLY LUBRICATED SILICONE
M-B	MAT SEAL	ROYAL BLUE	INHERENTLY LUBRICATED SILICONE

FOR ADDITIONAL INFORMATION SEE SD-160011-0001

ASSEMBLY DESCRIPTION	ASSEMBLY PART NUMBER	COMPONENT				BLOCKED TERMINALS												STATUS	COMMENTS	OPTIONAL ATTACHMENTS SOLD SEPERATELY		
		THE PRESENCE OF AN ABBREVIATION INDICATES THE PRESENCE OF THAT COMPONENT.				CAVITY WITH A NUMBER INDICATES BLOCKED TERMINAL POSITION CAVITY WITHOUT A NUMBER INDICATES OPEN TERMINAL POSITION														BACKSHELL WITH RIBS	BACKSHELL WITHOUT RIBS	
		HOUSING KEY/COLOR	GROMMET CAP	PLR	MAT SEAL	1	2	3	4	5	6	7	8	9	10	11	12					
KEY A, BLACK, WITH CLIPSLOT	160011-6001	A-BLK-CLIP	GCP	PLR-1	M-R														PLANNED OBSOLESCENCE		34950-1210	34950-1220
KEY B, LIGHT GRAY, WITH CLIPSLOT	160011-6002	B-LG-CLIP	GCP	PLR-1	M-R														PLANNED OBSOLESCENCE		34950-1210	34950-1220
KEY C, DARK GRAY, WITH CLIPSLOT	160011-6003	C-DG-CLIP	GCP	PLR-1	M-R														PLANNED OBSOLESCENCE		34950-1210	34950-1220
KEY D, STONE GRAY, WITH CLIPSLOT	160011-6004	D-SG-CLIP	GCP	PLR-1	M-R														PLANNED OBSOLESCENCE		34950-1210	34950-1220
KEY A, BLACK, WITH CLIPSLOT	160011-6007	A-BLK-CLIP	GCP	PLR-1	M-R	1													PLANNED OBSOLESCENCE		34950-1210	34950-1220
KEY B, LIGHT GRAY, WITH CLIPSLOT	160011-6008	B-LG-CLIP	GCP	PLR-1	M-R	1	2	3	4	5	6	7	8	9	10	11	12		PLANNED OBSOLESCENCE		34950-1210	34950-1220
KEY C, DARK GRAY, WITH CLIPSLOT	160011-6009	C-DG-CLIP	GCP	PLR-1	M-R	1	2	3	4	5	6	7	8	9	10	11	12		PLANNED OBSOLESCENCE		34950-1210	34950-1220
KEY D, STONE GRAY, WITH CLIPSLOT	160011-6010	D-SG-CLIP	GCP	PLR-1	M-R	1	2	3	4	5	6	7	8	9	10	11	12		PLANNED OBSOLESCENCE		34950-1210	34950-1220
KEY A, BLACK, WITH CLIPSLOT	160121-6201	A-BLK-CLIP	GCP	PLR-3	M-B														OK TO TOOL		34950-1210	34950-1220
KEY B, LIGHT GRAY, WITH CLIPSLOT	160121-6202	B-LG-CLIP	GCP	PLR-3	M-B														OK TO TOOL		34950-1210	34950-1220
KEY A, BLACK, WITH CLIPSLOT	160121-6227	A-BLK-CLIP	GCP	PLR-3	M-B	1	2	3	4	5	6	7	8	9	10	11	12		OK TO TOOL		34950-1210	34950-1220
KEY B, LIGHT GRAY, WITH CLIPSLOT	160121-6228	B-LG-CLIP	GCP	PLR-3	M-B	1	2	3	4	5	6	7	8	9	10	11	12		OK TO TOOL		34950-1210	34950-1220
KEY C, DARK GRAY, WITH CLIPSLOT	160121-6261	C-DG-CLIP	GCP	PLR-3	M-B														OK TO TOOL		34950-1210	34950-1220
KEY D, STONE GRAY, WITH CLIPSLOT	160121-6262	D-SG-CLIP	GCP	PLR-3	M-B														OK TO TOOL		34950-1210	34950-1220
KEY C, DARK GRAY, WITH CLIPSLOT	160121-6263	C-DG-CLIP	GCP	PLR-3	M-B	1	2	3	4	5	6	7	8	9	10	11	12		OK TO TOOL		34950-1210	34950-1220
KEY D, STONE GRAY, WITH CLIPSLOT	160121-6264	D-SG-CLIP	GCP	PLR-3	M-B	1	2	3	4	5	6	7	8	9	10	11	12		OK TO TOOL		34950-1210	34950-1220



ABBREVIATION	DESCRIPTION	COLOR	MATERIAL
A-BLK-CLIP	HOUSING KEYING OPTION A WITH CLIPSLOT	BLACK	SPS/NYLON GF20
B-LG-CLIP	HOUSING KEYING OPTION B WITH CLIPSLOT	LIGHT GRAY	SPS/NYLON GF20
C-DG-CLIP	HOUSING KEYING OPTION C WITH CLIPSLOT	DARK GRAY	SPS/NYLON GF20
D-SG-CLIP	HOUSING KEYING OPTION D WITH CLIPSLOT	STONE GRAY	SPS/NYLON GF20
GCP	GROMMET CAP (PLUGGED)	BLACK	SPS/NYLON GF20
GCO	GROMMET CAP (OPEN)	BLACK	SPS/NYLON GF20
PLR-3	PLR-3	NATURAL	SPS/NYLON GF20
M	MAT SEAL	LIGHT BLUE	INHERENTLY LUBRICATED SILICONE

FOR ADDITIONAL INFORMATION SEE SD-160011-0001

ASSEMBLY DESCRIPTION	ASSEMBLY PART NUMBER	COMPONENT				BLOCKED TERMINALS															STATUS	COMMENTS	OPTIONAL ATTACHMENTS SOLD SEPARATELY												
		THE PRESENCE OF AN ABBREVIATION INDICATES THE PRESENCE OF THAT COMPONENT.				CAVITY WITH A NUMBER INDICATES BLOCKED TERMINAL POSITION CAVITY WITHOUT A NUMBER INDICATES OPEN TERMINAL POSITION																	BACKSHELL WITH RIBS	BACKSHELL WITHOUT RIBS	90° ADAPTOR WITH RIBS	90° ADAPTOR WITHOUT RIBS									
		HOUSING KEY/COLOR	GROMMET CAP	PLR	MAT SEAL	1	2	3	4	5	6	7	8	9	10	11	12	13	14	15							16	17	18	19	20				
KEY A, BLACK, WITH CLIPSLOT	160121-2101	A-BLK-CLIP	GCO	PLR-3	M																					SALEABLE					34950-2011	34950-2021	34951-1631	34951-1641	
KEY B, LIGHT GRAY, WITH CLIPSLOT	160121-2102	B-LG-CLIP	GCO	PLR-3	M																						SALEABLE					34950-2011	34950-2021	34951-1631	34951-1641
KEY A, BLACK, WITH CLIPSLOT	160121-2106	A-BLK-CLIP	GCP	PLR-3	M																						SALEABLE					34950-2011	34950-2021	34951-1631	34951-1641
KEY A, BLACK, WITH CLIPSLOT	160121-2107	A-BLK-CLIP	GCP	PLR-3	M																						SALEABLE					34950-2011	34950-2021	34951-1631	34951-1641
KEY A, BLACK, WITH CLIPSLOT	160121-2108	A-BLK-CLIP	GCP	PLR-3	M																						SALEABLE					34950-2011	34950-2021	34951-1631	34951-1641
KEY A, BLACK, WITH CLIPSLOT	160121-2109	A-BLK-CLIP	GCP	PLR-3	M																						SALEABLE					34950-2011	34950-2021	34951-1631	34951-1641
KEY A, BLACK, WITH CLIPSLOT	160121-2122	A-BLK-CLIP	GCP	PLR-3	M																						SALEABLE					34950-2011	34950-2021	34951-1631	34951-1641
KEY A, BLACK, WITH CLIPSLOT	160121-2125	A-BLK-CLIP	GCP	PLR-3	M																						SALEABLE					34950-2011	34950-2021	34951-1631	34951-1641
KEY A, BLACK, WITH CLIPSLOT	160121-2126	A-BLK-CLIP	GCP	PLR-3	M																						SALEABLE					34950-2011	34950-2021	34951-1631	34951-1641
KEY A, BLACK, WITH CLIPSLOT	160121-2127	A-BLK-CLIP	GCP	PLR-3	M																						SALEABLE					34950-2011	34950-2021	34951-1631	34951-1641
KEY A, BLACK, WITH CLIPSLOT	160121-2128	A-BLK-CLIP	GCP	PLR-3	M	1																					SALEABLE					34950-2011	34950-2021	34951-1631	34951-1641
KEY A, BLACK, WITH CLIPSLOT	160121-2129	A-BLK-CLIP	GCP	PLR-3	M																						SALEABLE					34950-2011	34950-2021	34951-1631	34951-1641
KEY A, BLACK, WITH CLIPSLOT	160121-2130	A-BLK-CLIP	GCP	PLR-3	M																						SALEABLE					34950-2011	34950-2021	34951-1631	34951-1641
KEY A, BLACK, WITH CLIPSLOT	160121-2131	A-BLK-CLIP	GCP	PLR-3	M																						SALEABLE					34950-2011	34950-2021	34951-1631	34951-1641
KEY A, BLACK, WITH CLIPSLOT	160121-2133	A-BLK-CLIP	GCP	PLR-3	M																						SALEABLE					34950-2011	34950-2021	34951-1631	34951-1641
KEY A, BLACK, WITH CLIPSLOT	160121-2134	A-BLK-CLIP	GCP	PLR-3	M																						SALEABLE					34950-2011	34950-2021	34951-1631	34951-1641
KEY A, BLACK, WITH CLIPSLOT	160121-2135	A-BLK-CLIP	GCP	PLR-3	M																						SALEABLE					34950-2011	34950-2021	34951-1631	34951-1641
KEY A, BLACK, WITH CLIPSLOT	160121-2136	A-BLK-CLIP	GCP	PLR-3	M																						SALEABLE					34950-2011	34950-2021	34951-1631	34951-1641
KEY A, BLACK, WITH CLIPSLOT	160121-2137	A-BLK-CLIP	GCP	PLR-3	M																						SALEABLE					34950-2011	34950-2021	34951-1631	34951-1641
KEY A, BLACK, WITH CLIPSLOT	160121-2138	A-BLK-CLIP	GCP	PLR-3	M	1	2	3	4	5	6	7	8	9	10												SALEABLE					34950-2011	34950-2021	34951-1631	34951-1641
KEY A, BLACK, WITH CLIPSLOT	160121-2139	A-BLK-CLIP	GCP	PLR-3	M	1	2	3	4	5	6	7	8	9	10												SALEABLE					34950-2011	34950-2021	34951-1631	34951-1641
KEY A, BLACK, WITH CLIPSLOT	160121-2140	A-BLK-CLIP	GCP	PLR-3	M																						SALEABLE					34950-2011	34950-2021	34951-1631	34951-1641
KEY A, BLACK, WITH CLIPSLOT	160121-2142	A-BLK-CLIP	GCP	PLR-3	M																						SALEABLE					34950-2011	34950-2021	34951-1631	34951-1641
KEY A, BLACK, WITH CLIPSLOT	160121-2144	A-BLK-CLIP	GCP	PLR-3	M																						SALEABLE					34950-2011	34950-2021	34951-1631	34951-1641
KEY A, BLACK, WITH CLIPSLOT	160121-2146	A-BLK-CLIP	GCP	PLR-3	M																						SALEABLE					34950-2011	34950-2021	34951-1631	34951-1641
KEY B, LIGHT GRAY, WITH CLIPSLOT	160121-2156	B-LG-CLIP	GCP	PLR-3	M																						SALEABLE					34950-2011	34950-2021	34951-1631	34951-1641
KEY B, LIGHT GRAY, WITH CLIPSLOT	160121-2157	B-LG-CLIP	GCP	PLR-3	M																						SALEABLE					34950-2011	34950-2021	34951-1631	34951-1641
KEY B, LIGHT GRAY, WITH CLIPSLOT	160121-2158	B-LG-CLIP	GCP	PLR-3	M																						SALEABLE					34950-2011	34950-2021	34951-1631	34951-1641
KEY A, BLACK, WITH CLIPSLOT	160121-2168	A-BLK-CLIP	GCP	PLR-3	M																						SALEABLE					34950-2011	34950-2021	34951-1631	34951-1641
KEY A, BLACK, WITH CLIPSLOT	160121-2169	A-BLK-CLIP	GCP	PLR-3	M																						SALEABLE					34950-2011	34950-2021	34951-1631	34951-1641
KEY A, BLACK, WITH CLIPSLOT	160121-2171	A-BLK-CLIP	GCP	PLR-3	M																						SALEABLE					34950-2011	34950-2021	34951-1631	34951-1641
KEY A, BLACK, WITH CLIPSLOT	160121-2172	A-BLK-CLIP	GCP	PLR-3	M	1	2	3	4	5	6	7	8	9	10												SALEABLE					34950-2011	34950-2021	34951-1631	34951-1641
KEY A, BLACK, WITH CLIPSLOT	160121-2173	A-BLK-CLIP	GCP	PLR-3	M																						SALEABLE					34950-2011	34950-2021	34951-1631	34951-1641
KEY A, BLACK, WITH CLIPSLOT	160121-2177	A-BLK-CLIP	GCP	PLR-3	M																						SALEABLE					34950-2011	34950-2021	34951-1631	34951-1641
KEY A, BLACK, WITH CLIPSLOT	160121-2178	A-BLK-CLIP	GCP	PLR-3	M																						SALEABLE					34950-2011	34950-2021	34951-1631	34951-1641
KEY A, BLACK, WITH CLIPSLOT	160121-2179	A-BLK-CLIP	GCP	PLR-3	M																						SALEABLE					34950-2011	34950-2021	34951-1631	34951-1641
KEY A, BLACK, WITH CLIPSLOT	160121-2185	A-BLK-CLIP	GCP	PLR-3	M	1																					SALEABLE					34950-2011	34950-2021	34951-1631	34951-1641
KEY A, BLACK, WITH CLIPSLOT	160121-2187	A-BLK-CLIP	GCP	PLR-3	M	1																					SALEABLE					34950-2011	34950-2021	34951-1631	34951-1641
KEY A, BLACK, WITH CLIPSLOT	160121-2188	A-BLK-CLIP	GCP	PLR-3	M	1																					SALEABLE					34950-2011	34950-2021	34951-1631	34951-1641
KEY A, BLACK, WITH CLIPSLOT	160121-2189	A-BLK-CLIP	GCP	PLR-3	M	1	2	3	4	5	6	7	8	9	10												SALEABLE					34950-2011	34950-2021	34951-1631	34951-1641
KEY A, BLACK, WITH CLIPSLOT	160121-2190	A-BLK-CLIP	GCP	PLR-3	M	1	2	3	4	5	6	7	8	9	10												SALEABLE					34950-2011	34950-2021	34951-1631	34951-1641
KEY A, BLACK, WITH CLIPSLOT	160121-2191	A-BLK-CLIP	GCP	PLR-3	M	1	2	3	4	5	6	7	8	9	10												SALEABLE					34950-2011	34950-2021	34951-1631	34951-1641
KEY A, BLACK, WITH CLIPSLOT	160121-2192	A-BLK-CLIP	GCP	PLR-3	M	2																					SALEABLE					34950-2011	34950-2021	34951-1631	34951-1641
KEY A, BLACK, WITH CLIPSLOT	160121-2193	A-BLK-CLIP	GCP	PLR-3	M	1	2	3	4	5	6	7	8	9	10												SALEABLE					34950-2011	34950-2021	34951-1631	34951-1641
KEY A, BLACK, WITH CLIPSLOT	160121-2194	A-BLK-CLIP	GCP	PLR-3	M	1	2	3	4	5	6	7	8	9	10												SALEABLE					34950-2011	34950-2021	34951-1631	34951-1641
KEY A, BLACK, WITH CLIPSLOT	160121-2195	A-BLK-CLIP	GCP	PLR-3	M	2																					SALEABLE					34950-2011	34950-2021	34951-1631	34951-1641
KEY B, LIGHT GRAY, WITH CLIPSLOT	160121-2196	B-LG-CLIP	GCP	PLR-3	M	1	2	3	4	5	6	7	8	9	10												SALEABLE					34950-2011	34950-2021	34951-1631</	

MX150 GEN 2 BLADE 2X10 SEALED ASSEMBLY MAT SEAL
BOM AND PIN OUT SHEET

ASSEMBLY DESCRIPTION	ASSEMBLY PART NUMBER	COMPONENT				BLOCKED TERMINALS																STATUS	COMMENTS	OPTIONAL ATTACHMENTS SOLD SEPARATELY													
		THE PRESENCE OF AN ABBREVIATION INDICATES THE PRESENCE OF THAT COMPONENT.				CAVITY WITH A NUMBER INDICATES BLOCKED TERMINAL POSITION CAVITY WITHOUT A NUMBER INDICATES OPEN TERMINAL POSITION																		BACKSHELL WITH RIBS	BACKSHELL WITHOUT RIBS	90° ADAPTOR WITH RIBS	90° ADAPTOR WITHOUT RIBS										
		HOUSING KEY/COLOR	GROMMET CAP	PLR	MAT SEAL	1	2	3	4	5	6	7	8	9	10	11	12	13	14	15	16			17	18	19	20										
KEY A, BLACK, WITH CLIPSLOT	160121-2329	A-BLK-CLIP	GCP	PLR-3	M				5	6	7	8															SALEABLE					34950-2011	34950-2021	34951-1631	34951-1641		
KEY A, BLACK, WITH CLIPSLOT	160121-2330	A-BLK-CLIP	GCP	PLR-3	M				5	6	7	8	9	10	11	12	13	14	15									SALEABLE					34950-2011	34950-2021	34951-1631	34951-1641	
KEY A, BLACK, WITH CLIPSLOT	160121-2331	A-BLK-CLIP	GCP	PLR-3	M				5	6	7	8															SALEABLE					34950-2011	34950-2021	34951-1631	34951-1641		
KEY A, BLACK, WITH CLIPSLOT	160121-2332	A-BLK-CLIP	GCP	PLR-3	M				5	6	7	8											18	19			SALEABLE					34950-2011	34950-2021	34951-1631	34951-1641		
KEY A, BLACK, WITH CLIPSLOT	160121-2333	A-BLK-CLIP	GCP	PLR-3	M				5	6	7	8											18	19			SALEABLE					34950-2011	34950-2021	34951-1631	34951-1641		
KEY A, BLACK, WITH CLIPSLOT	160121-2334	A-BLK-CLIP	GCP	PLR-3	M	1		2	3	4	5												19	20			SALEABLE					34950-2011	34950-2021	34951-1631	34951-1641		
KEY B, LIGHT GRAY, WITH CLIPSLOT	160121-2335	B-LG-CLIP	GCP	PLR-3	M				4														19	20			SALEABLE					34950-2011	34950-2021	34951-1631	34951-1641		
KEY A, BLACK, WITH CLIPSLOT	160121-2336	A-BLK-CLIP	GCP	PLR-3	M	1	2	3				7	8									17	18	19	20		SALEABLE					34950-2011	34950-2021	34951-1631	34951-1641		
KEY A, BLACK, WITH CLIPSLOT	160121-2337	A-BLK-CLIP	GCP	PLR-3	M	1	2	3				8										17	18	19	20		SALEABLE					34950-2011	34950-2021	34951-1631	34951-1641		
KEY A, BLACK, WITH CLIPSLOT	160121-2338	A-BLK-CLIP	GCP	PLR-3	M		2	3				6	7									17	18	19	20		SALEABLE					34950-2011	34950-2021	34951-1631	34951-1641		
KEY A, BLACK, WITH CLIPSLOT	160121-2339	A-BLK-CLIP	GCP	PLR-3	M				4	5		6	7									17	18	19	20		SALEABLE					34950-2011	34950-2021	34951-1631	34951-1641		
KEY A, BLACK, WITH CLIPSLOT	160121-2340	A-BLK-CLIP	GCP	PLR-3	M			3														17	18	19	20		SALEABLE					34950-2011	34950-2021	34951-1631	34951-1641		
KEY A, BLACK, WITH CLIPSLOT	160121-2341	A-BLK-CLIP	GCP	PLR-3	M	1	2	3				6	7	8								17	18	19	20		SALEABLE					34950-2011	34950-2021	34951-1631	34951-1641		
KEY A, BLACK, WITH CLIPSLOT	160121-2342	A-BLK-CLIP	GCP	PLR-3	M			3				6	7									17	18	19	20		SALEABLE					34950-2011	34950-2021	34951-1631	34951-1641		
KEY A, BLACK, WITH CLIPSLOT	160121-2343	A-BLK-CLIP	GCP	PLR-3	M		2	3				6	7									17	18	19	20		SALEABLE					34950-2011	34950-2021	34951-1631	34951-1641		
KEY A, BLACK, WITH CLIPSLOT	160121-2344	A-BLK-CLIP	GCP	PLR-3	M							6										17	18	19	20		SALEABLE					34950-2011	34950-2021	34951-1631	34951-1641		
KEY A, BLACK, WITH CLIPSLOT	160121-2345	A-BLK-CLIP	GCP	PLR-3	M	1	2					6	7	8								17	18	19	20		SALEABLE					34950-2011	34950-2021	34951-1631	34951-1641		
KEY A, BLACK, WITH CLIPSLOT	160121-2346	A-BLK-CLIP	GCP	PLR-3	M							5	6	7	8	9											SALEABLE					34950-2011	34950-2021	34951-1631	34951-1641		
KEY A, BLACK, WITH CLIPSLOT	160121-2347	A-BLK-CLIP	GCP	PLR-3	M		2	3	4	5		6	7	8	9							19	20				SALEABLE					34950-2011	34950-2021	34951-1631	34951-1641		
KEY A, BLACK, WITH CLIPSLOT	160121-2348	A-BLK-CLIP	GCP	PLR-3	M				4	5		6	7	8	9	10	11	12	13	14	15						SALEABLE					34950-2011	34950-2021	34951-1631	34951-1641		
KEY A, BLACK, WITH CLIPSLOT	160121-2349	A-BLK-CLIP	GCP	PLR-3	M				4	5		6	7	8	9	10	11	12	13	14	15						SALEABLE					34950-2011	34950-2021	34951-1631	34951-1641		
KEY A, BLACK, WITH CLIPSLOT	160121-2350	A-BLK-CLIP	GCP	PLR-3	M				4	5		6	7	8	9	10	11	12	13	14	15						SALEABLE					34950-2011	34950-2021	34951-1631	34951-1641		
KEY B, LIGHT GRAY, WITH CLIPSLOT	160121-2351	B-LG-CLIP	GCP	PLR-3	M																						SALEABLE					34950-2011	34950-2021	34951-1631	34951-1641		
KEY B, LIGHT GRAY, WITH CLIPSLOT	160121-2352	B-LG-CLIP	GCP	PLR-3	M		2				5						8					11	12	13	14	15	16	17	18	19	20			34950-2011	34950-2021	34951-1631	34951-1641
KEY B, LIGHT GRAY, WITH CLIPSLOT	160121-2353	B-LG-CLIP	GCP	PLR-3	M																						SALEABLE					34950-2011	34950-2021	34951-1631	34951-1641		
KEY B, LIGHT GRAY, WITH CLIPSLOT	160121-2354	B-LG-CLIP	GCP	PLR-3	M																						SALEABLE					34950-2011	34950-2021	34951-1631	34951-1641		
KEY B, LIGHT GRAY, WITH CLIPSLOT	160121-2355	B-LG-CLIP	GCP	PLR-3	M		2																				SALEABLE					34950-2011	34950-2021	34951-1631	34951-1641		
KEY A, BLACK, WITH CLIPSLOT	160121-2356	A-BLK-CLIP	GCP	PLR-3	M	1	2																				SALEABLE					34950-2011	34950-2021	34951-1631	34951-1641		
KEY A, BLACK, WITH CLIPSLOT	160121-2357	A-BLK-CLIP	GCP	PLR-3	M				4	5		6	7	8	9	10	11	12	13	14	15						SALEABLE					34950-2011	34950-2021	34951-1631	34951-1641		
KEY A, BLACK, WITH CLIPSLOT	160121-2358	A-BLK-CLIP	GCP	PLR-3	M				4	5		6	7	8	9	10	11	12	13	14	15						SALEABLE					34950-2011	34950-2021	34951-1631	34951-1641		
KEY A, BLACK, WITH CLIPSLOT	160121-2359	A-BLK-CLIP	GCP	PLR-3	M				4	5		6	7	8	9	10	11	12	13	14	15						SALEABLE					34950-2011	34950-2021	34951-1631	34951-1641		
KEY A, BLACK, WITH CLIPSLOT	160121-2360	A-BLK-CLIP	GCP	PLR-3	M				4	5		6	7	8	9	10	11	12	13	14	15						SALEABLE					34950-2011	34950-2021	34951-1631	34951-1641		
KEY A, BLACK, WITH CLIPSLOT	160121-2361	A-BLK-CLIP	GCP	PLR-3	M			4				7	8	9	10	11	12	13	14	15							SALEABLE					34950-2011	34950-2021	34951-1631	34951-1641		
KEY A, BLACK, WITH CLIPSLOT	160121-2362	A-BLK-CLIP	GCP	PLR-3	M							7	8														SALEABLE					34950-2011	34950-2021	34951-1631	34951-1641		
KEY A, BLACK, WITH CLIPSLOT	160121-2363	A-BLK-CLIP	GCP	PLR-3	M			4				7	8	9	10	11	12	13	14	15							SALEABLE					34950-2011	34950-2021	34951-1631	34951-1641		
KEY A, BLACK, WITH CLIPSLOT	160121-2364	A-BLK-CLIP	GCP	PLR-3	M							7	8														SALEABLE					34950-2011	34950-2021	34951-1631	34951-1641		
KEY A, BLACK, WITH CLIPSLOT	160121-2365	A-BLK-CLIP	GCP	PLR-3	M			4	5		6	7	8	9	10	11	12	13	14	15							SALEABLE					34950-2011	34950-2021	34951-1631	34951-1641		
KEY A, BLACK, WITH CLIPSLOT	160121-2366	A-BLK-CLIP	GCP	PLR-3	M				5	6		7	8	9	10	11	12	13	14	15							SALEABLE					34950-2011	34950-2021	34951-1631	34951-1641		
KEY A, BLACK, WITH CLIPSLOT	160121-2367	A-BLK-CLIP	GCP	PLR-3	M			4	5		6	7	8	9	10	11	12	13	14	15							SALEABLE					34950-2011	34950-2021	34951-1631	34951-1641		
KEY A, BLACK, WITH CLIPSLOT	160121-2368	A-BLK-CLIP	GCP	PLR-3	M				4	5		6	7	8	9	10	11	12	13	14	15						SALEABLE					34950-2011	34950-2021	34951-1631	34951-1641		
KEY B, LIGHT GRAY, WITH CLIPSLOT	160121-2369	B-LG-CLIP	GCP	PLR-3	M			3																			SALEABLE					34950-2011	34950-2021	34951-1631	34951-1641		
KEY A, BLACK, WITH CLIPSLOT	160121-2370	A-BLK-CLIP	GCP	PLR-3	M																						SALEABLE					34950-2011	34950-2021	34951-1631	34951-1641		
KEY A, BLACK, WITH CLIPSLOT	160121-2371	A-BLK-CLIP	GCP	PLR-3	M							6	7	8	9	10	11	12	13	14	15						SALEABLE					34950-2011	34950-2021	34951-1631	34951-1641		
KEY A, BLACK, WITH CLIPSLOT	160121-2372	A-BLK-CLIP	GCP	PLR-3	M		3	4				6	7	8	9	10	11	12	13	14	15						SALEABLE					34950-2011	34950-2021	34951-1631	34951-1641		
KEY B, LIGHT GRAY, WITH CLIPSLOT	160121-2373	B-LG-CLIP	GCP	PLR-3	M						5	6	7	8	9	10	11	12	13	14	15						SALEABLE					34950-2011	34950-2021	34951-1631	34951-1641		
KEY B, LIGHT GRAY, WITH CLIPSLOT	160121-2374	B-LG-CLIP	GCP	PLR-3	M																						SALEABLE					34950-2011	34950-2021	34951-1631	34951-1641		
KEY B, LIGHT GRAY, WITH CLIPSLOT	160121-2375	B-LG-CLIP	GCP	PLR-3	M																	14	15				SALEABLE					34950-2011	34950-2021	34951-1631			