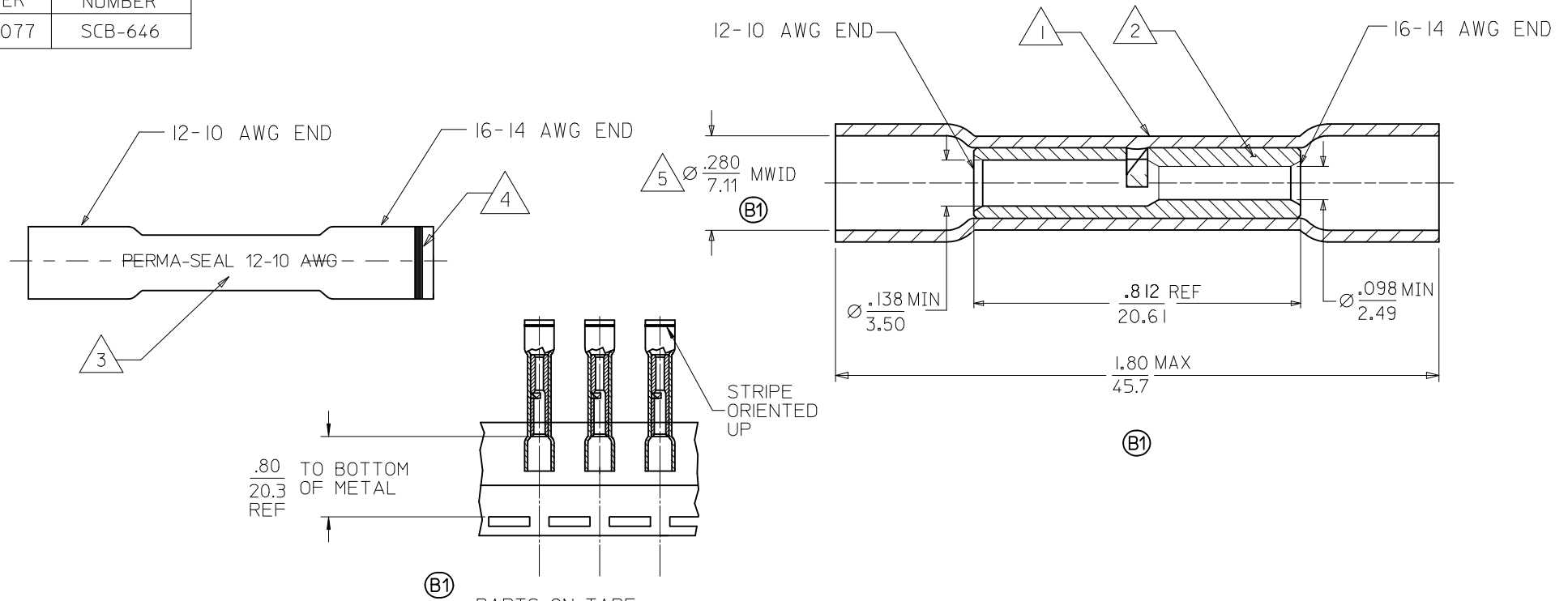


MATERIAL NUMBER	ENGINEERING NUMBER
191640077	SCB-646



.80 TO BOTTOM OF METAL
20.3 REF

(B1) PARTS ON TAPE
191640582 (SCB-646T)

NOTES,

- 1. INSULATION MATERIAL: HEAT SHRINKABLE TUBING WITH HOTMELT INNER LINER. COLOR YELLOW.
- 2. SEAMLESS TIN PLATED COPPER TERMINAL.
- 3. PRINTED TEXT IN BLACK .06 HIGH AS SHOWN. DIRECTION CAN BE REVERSED DUE TO MFG PROCESSES.
- 4. BLUE STRIPE ORIENTATED ON 16-14 AWG END OF CONNECTOR.
- 5. MWID-MAXIMUM WIRE INSULATION DIAMETER.
- (B1) 6. PART IS ROHS COMPLIANT.

SALES DRAWING

UPDATE TOL. TAPE EC NO: WNA2012-0117 DRW: WETHRODAHL 2011/08/25 CHKD: JMAGNEIL 2011/08/25 APPR: JMAGNEIL 2011/08/26	QUALITY SYMBOLS	GENERAL TOLERANCES (UNLESS SPECIFIED)	DIMENSION STYLE	SCALE	DESIGN UNITS	THIRD ANGLE PROJECTION
	▽=0	mm INCH	IN/MM	---	INCH	☉
	▽=0	4 PLACES ± --- ± ---	DRAWN BY DATE	BENDERLE 2002/10/01	TITLE	STEP DOWN BUTT SPLICE PERMA-SEAL NIAC 12-10 AWG 16-14 AWG
		3 PLACES ± --- ± ---	CHECKED BY DATE	HBEITZEL 2002/10/01	MATERIAL NO.	SD-19164-028
	2 PLACES ± --- ± ---	APPROVED BY DATE	RDEROSS 2002/10/01	MOLEX INCORPORATED THIS DRAWING CONTAINS INFORMATION THAT IS PROPRIETARY TO MOLEX INCORPORATED AND SHOULD NOT BE USED WITHOUT WRITTEN PERMISSION		
	1 PLACE ± --- ± ---	ANGULAR ± ---°				
	DRAFT WHERE APPLICABLE MUST REMAIN WITHIN DIMENSIONS		SEE CHART			