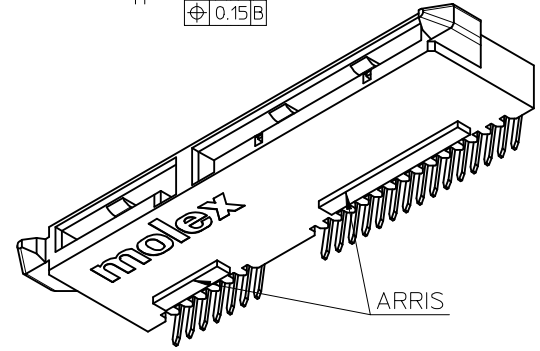
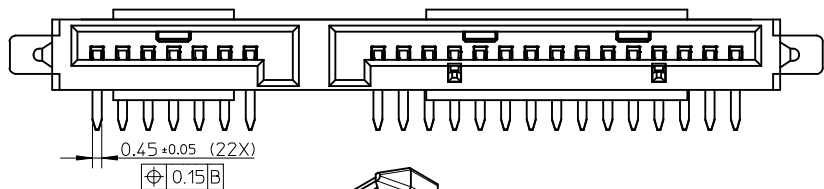
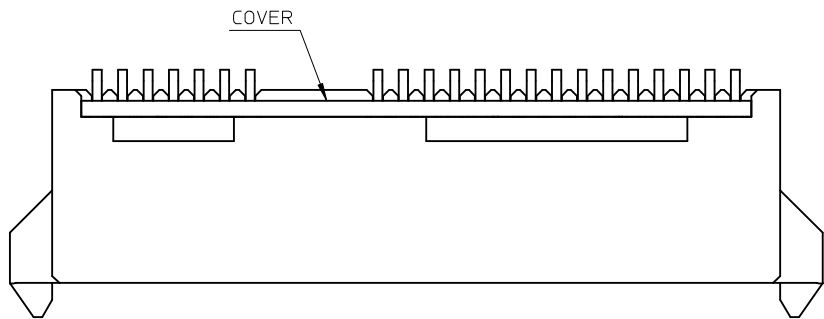
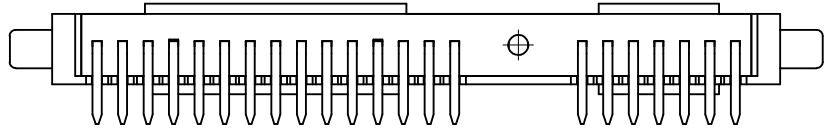


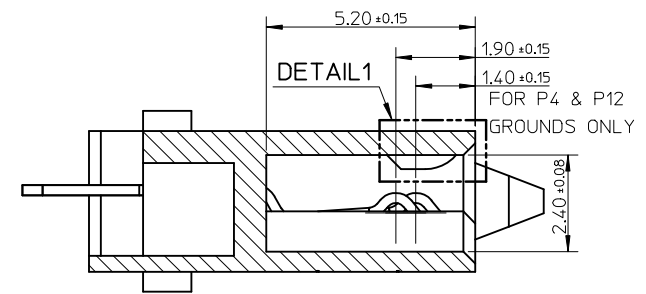


10 9 8 7 6 5 4 3 2 1

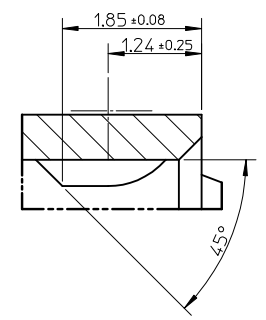
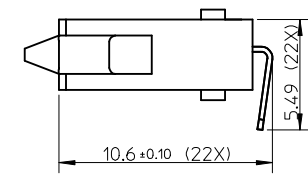


RIGHT ANGLE 90 DEGREE TYPE

OTHER DIMENSIONS REFER TO STRAIGHT TYPE



SECTION Z-Z

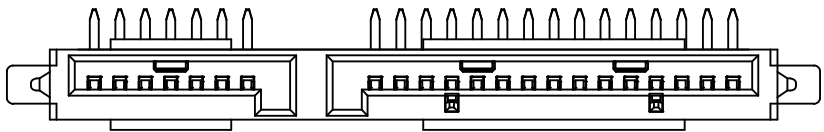
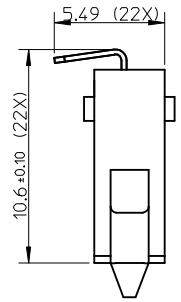
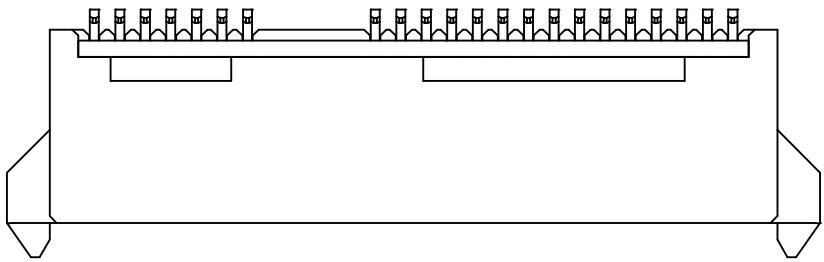
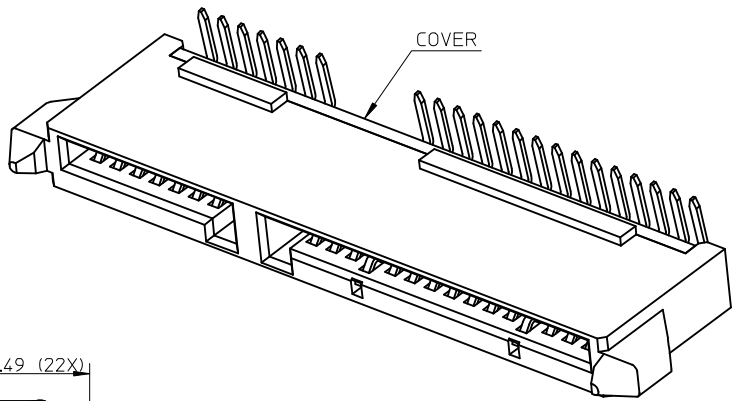
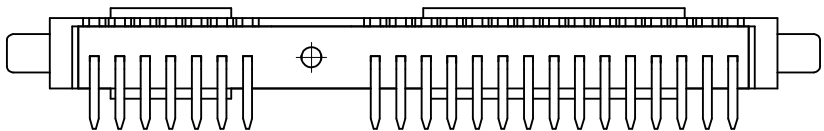


DETAIL 1

SEE SHEET 1 EC NO: SH2011-0156 DRWN: XZHANG 2010/12/13 CHKD: GLLI 2010/12/14 APPR: XJISONG 2010/12/14 REV	QUALITY SYMBOLS $\nabla$ F=0 $\nabla$ F=0 $\nabla$ F=0	GENERAL TOLERANCES (UNLESS SPECIFIED) mm INCH 4 PLACES ± --- ± --- 3 PLACES ± --- ± --- 2 PLACES ± 0.20 ± --- 1 PLACE ± 0.25 ± --- ANGULAR ± 3°	DIMENSION STYLE MM ONLY DRAWN BY: BCHEN26 CHECKED BY: DIXON APPROVED BY: GRATE MATERIAL NO.	DATE: 2005/12/05 DATE: 2005/12/05 DATE: 2005/12/05	SCALE: 4:1 DESIGN UNITS: METRIC THIRD ANGLE PROJECTION	TITLE: COMBO SATA RECEPTACLE CABLE END MOLEX INCORPORATED DOCUMENT NO. SD-47362-100 SHEET NO. 2 OF 4	
	DRAFT WHERE APPLICABLE MUST REMAIN WITHIN DIMENSIONS		SEE SHEET 4	THIS DRAWING CONTAINS INFORMATION THAT IS PROPRIETARY TO MOLEX INCORPORATED AND SHOULD NOT BE USED WITHOUT WRITTEN PERMISSION			

9 8 7 6 5 4 3 2 1

10 9 8 7 6 5 4 3 2 1



RIGHT ANGLE 270 DEGREE TYPE  
OTHER DIMENSIONS REFER TO RIGHT ANGLE 90 DEGREE TYPE

SEE SHEET 1 IEC NO: SH2011-0156 DRWN: XZHANG CHKD: GLLI APPR: XJSONG	2010/12/13 2010/12/14 2010/12/14	DESCRIPTION REV	QUALITY SYMBOLS	GENERAL TOLERANCES (UNLESS SPECIFIED)		DIMENSION STYLE MM ONLY		SCALE 4:1	DESIGN UNITS METRIC	THIRD ANGLE PROJECTION		
			$F_{\text{A}}=0$	mm	INCH	DRAWN BY BCHEN26	DATE 2005/12/05	TITLE COMBO SATA RECEPTACLE CABLE END				
			$F_{\text{B}}=0$	4 PLACES ± ---	± ---	CHECKED BY DIXON	DATE 2005/12/05	MATERIAL NO. GRATE				
			$F_{\text{C}}=0$	3 PLACES ± ---	± ---	APPROVED BY GRATE	DATE 2005/12/05	DOCUMENT NO. SD-47362-100				
				2 PLACES ± 0.20	± ---	SEE SHEET 4		MOLEX INCORPORATED				
				1 PLACE ± 0.25	± ---	SIZE A3		SHEET NO. 3 OF 4				
				ANGULAR ± 3 °		THIS DRAWING CONTAINS INFORMATION THAT IS PROPRIETARY TO MOLEX INCORPORATED AND SHOULD NOT BE USED WITHOUT WRITTEN PERMISSION						
DRAFT WHERE APPLICABLE MUST REMAIN WITHIN DIMENSIONS												

9 8 7 6 5 4 3 2 1

F

E

D

C

B

A

P/N	CONTACT AREA PLATING	REMARK	TYPE	DESCRIPTION
47362-1003	0.38 MICRONS MIN. GOLD PLATING	WITH ARRIS ON BOTH SURFACE WITHOUT BUMPS	STRAIGHT TYPE	WITH HALOGEN
47362-3032	0.38 MICRONS MIN. GOLD PLATING	WITHOUT ARRIS	RIGHT ANGLE TYPE 270 DEGREE	
47362-3031	0.76 MICRONS MIN. GOLD PLATING	WITH BUMPS, WITH COVER		
47362-3030	GOLD FLASH			
47362-3022	0.38 MICRONS MIN. GOLD PLATING	WITH ARRIS ON BOTTOM SURFACE		
47362-3021	0.76 MICRONS MIN. GOLD PLATING	WITH BUMPS, WITH COVER		
47362-3020	GOLD FLASH			
47362-3012	0.38 MICRONS MIN. GOLD PLATING	WITH ARRIS ON TOP SURFACE	RIGHT ANGLE TYPE 90 DEGREE	
47362-3011	0.76 MICRONS MIN. GOLD PLATING	WITH BUMPS, WITH COVER		
47362-3010	GOLD FLASH			
47362-3002	0.38 MICRONS MIN. GOLD PLATING	WITH ARRIS ON BOTH SURFACE		
47362-3001	0.76 MICRONS MIN. GOLD PLATING	WITH BUMPS, WITH COVER		
47362-3000	GOLD FLASH			
47362-2032	0.38 MICRONS MIN. GOLD PLATING	WITHOUT ARRIS	RIGHT ANGLE TYPE 90 DEGREE	
47362-2031	0.76 MICRONS MIN. GOLD PLATING	WITH BUMPS, WITH COVER		
47362-2030	GOLD FLASH			
47362-2022	0.38 MICRONS MIN. GOLD PLATING	WITH ARRIS ON BOTTOM SURFACE		
47362-2021	0.76 MICRONS MIN. GOLD PLATING	WITH BUMPS, WITH COVER		
47362-2020	GOLD FLASH			
47362-2012	0.38 MICRONS MIN. GOLD PLATING	WITH ARRIS ON TOP SURFACE	STRAIGHT TYPE	
47362-2011	0.76 MICRONS MIN. GOLD PLATING	WITH BUMPS, WITH COVER		
47362-2010	GOLD FLASH			
47362-2002	0.38 MICRONS MIN. GOLD PLATING	WITH ARRIS ON BOTH SURFACE		
47362-2001	0.76 MICRONS MIN. GOLD PLATING	WITH BUMPS, WITH COVER		
47362-2000	GOLD FLASH			
47362-1032	0.38 MICRONS MIN. GOLD PLATING	WITHOUT ARRIS	STRAIGHT TYPE	
47362-1031	0.76 MICRONS MIN. GOLD PLATING	WITH BUMPS		
47362-1030	GOLD FLASH			
47362-1022	0.38 MICRONS MIN. GOLD PLATING	WITH ARRIS ON BOTTOM SURFACE		
47362-1021	0.76 MICRONS MIN. GOLD PLATING	WITH BUMPS		
47362-1020	GOLD FLASH			
47362-1012	0.38 MICRONS MIN. GOLD PLATING	WITH ARRIS ON TOP SURFACE	STRAIGHT TYPE	
47362-1011	0.76 MICRONS MIN. GOLD PLATING	WITH BUMPS		
47362-1010	GOLD FLASH			
47362-1002	0.38 MICRONS MIN. GOLD PLATING	WITH ARRIS ON BOTH SURFACE		
47362-1001	0.76 MICRONS MIN. GOLD PLATING	WITH BUMPS		
47362-1000	GOLD FLASH			

P/N	CONTACT AREA PLATING	REMARK	TYPE	DESCRIPTION
47362-1082	0.38 MICRONS MIN. GOLD PLATING	WITH ARRIS ON BOTH SURFACE WITH BUMPS	STRAIGHT TYPE	HALOGEN FREE

SEE SHEET 1 EC NO: SH2011-0156 DRWN:XQZHANG 2010/12/13 CHKD:GLL 2010/12/14 APPR:XJSONG 2010/12/14	QUALITY SYMBOLS	$\nabla_A = 0$ $\nabla_G = 0$ $\nabla_P = 0$
	DESCRIPTION	
	REV	
	J	

GENERAL TOLERANCES (UNLESS SPECIFIED)																
	<table border="1"> <tr> <th></th> <th>mm</th> <th>INCH</th> </tr> <tr> <td>4 PLACES</td> <td>± ---</td> <td>± ---</td> </tr> <tr> <td>3 PLACES</td> <td>± ---</td> <td>± ---</td> </tr> <tr> <td>2 PLACES</td> <td>± 0.20</td> <td>± ---</td> </tr> <tr> <td>1 PLACE</td> <td>± 0.25</td> <td>± ---</td> </tr> </table>		mm	INCH	4 PLACES	± ---	± ---	3 PLACES	± ---	± ---	2 PLACES	± 0.20	± ---	1 PLACE	± 0.25	± ---
	mm	INCH														
4 PLACES	± ---	± ---														
3 PLACES	± ---	± ---														
2 PLACES	± 0.20	± ---														
1 PLACE	± 0.25	± ---														
ANGULAR ± 3 °																
DRAFT WHERE APPLICABLE MUST REMAIN WITHIN DIMENSIONS																

DIMENSION STYLE		SCALE	DESIGN UNITS
MM ONLY		4:1	METRIC
DRAWN BY	DATE	TITLE	
BCHEN26	2005/12/05	COMBO SATA RECEPTACLE CABLE END	
CHECKED BY	DATE	MOLEX INCORPORATED	
DIXON	2005/12/05	SD-47362-100	
APPROVED BY	DATE	SHEET NO.	
GRATE	2005/12/05	4 OF 4	
MATERIAL NO.		DOCUMENT NO.	
SEE TABLE			

THIRD ANGLE PROJECTION	
MATERIAL NO.	
DOCUMENT NO.	
SHEET NO.	
4 OF 4	