

2

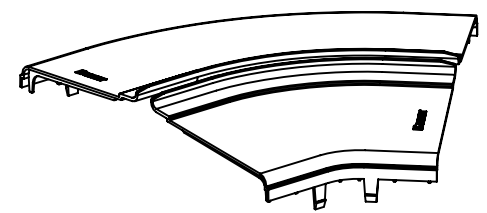
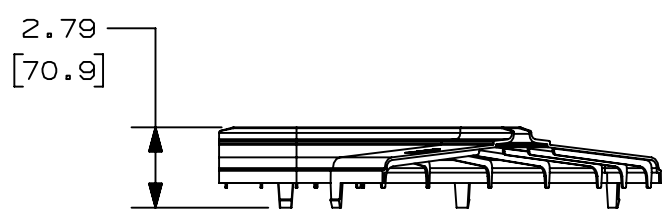
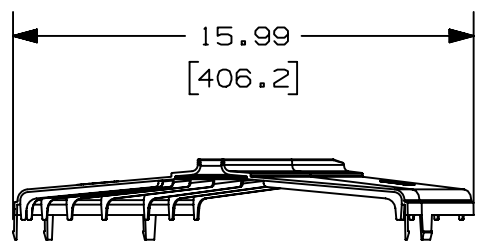
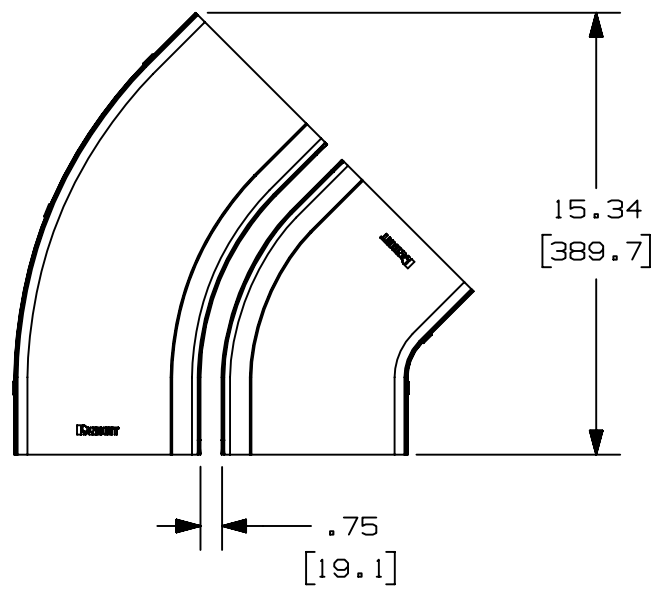
1

THIS COPY IS PROVIDED ON A RESTRICTED BASIS AND IS NOT TO BE USED IN ANY WAY DETRIMENTAL TO THE INTERESTS OF PANDUIT CORP.

PANDUIT PART NUMBER	WEIGHT	MATERIAL
FRH45SC12	0.84 LB/EACH (383g/EACH)	ABS
FRH45SC12L	0.84 LB/EACH (383g/EACH)	PC/ABS

NOTES:

1. SEE CURRENT CATALOG FOR ADDITIONAL PART SUFFIXES TO INDICATE COLOR AND/OR PACKAGE QUANTITY.
2. THE FIBERRUNNER 12x4 HORIZONTAL 45° ANGLE SPLIT COVER REQUIRES NO TOOLS FOR INSTALLATION AND/OR REMOVAL. THE SPLIT COVER CREATES A 3/4" (19.1) RADIUS OPENING TO ALLOW FOR NEW CABLES TO BE ADDED WITHOUT THE NEED FOR REMOVING THE COVERS.
3. DIMENSIONS IN PARENTHESES ARE IN METRIC.



B

B

A

A

D10.100DA/20

REV	DATE	BY	CHK	APR	DESCRIPTION	ECN
01B	9/1/2020	MES	DWR	DWR	UPDATED TITLE BLOCK, ADDED PART NUMBER	V09002DZ/11

TITLE <b>FIBERRUNNER 12x4 HORIZONTAL 45° ANGLE SPLIT COVER (FRH45SC12, FRH45SC12L)</b>		CONTROL DRAWING	
ITEM REVISION NAME <b>D37617DN/01</b>		<b>PANDUIT</b>	
DATASET FILE NAME <b>D37617DN/01</b>			
UNLESS OTHERWISE SPECIFIED, DIMENSIONAL TOLERANCES ARE: (.X) ± (.XX) ± .03 (.8) ANGLES ± (.XXX) ±		MATERIAL: <b>SEE PART NUMBER TABLE ABOVE</b>	
DRAWING NUMBER: <b>37617-66</b>		DRAWING NUMBER: <b>37617-66</b>	
DRAWN BY <b>JNHU</b>	DATE <b>12-29-00</b>	CHK <b>HIW</b>	SCALE <b>NONE</b>
SHT 1 OF 1		SIZE <b>A</b>	

2

1