

SAFETY ORGANIZATIONS

THIS FILTER HAS BEEN FORMALLY RECOGNIZED, CERTIFIED OR APPROVED BY THE LISTED AGENCY. THEREFORE, ALL TEST/REQUIREMENTS SPECIFIED IN THE LATEST REVISION OF THE FOLLOWING AGENCY STANDARDS HAVE BEEN MET:

UL LISTED: UL 935

OPERATING SPECIFICATIONS

LINE CURRENT/VOLTAGE: 3.9 AMP, 125/280 VAC

LINE FREQUENCY: 50-60Hz

MAXIMUM LEAKAGE CURRENT, EACH LINE TO GROUND: 3.0 mA @125V 60Hz

OPERATING AMBIENT TEMP. RANGE: -10°C TO +40°C @ RATED CURRENT, I_r.

IN AN AMBIENT, T_a, HIGHER THAN 40°C, THE MAXIMUM OPERATING CURRENT, I_o, IS AS FOLLOWS:

$$I_o = I_r \sqrt{\frac{85 - T_a}{45}}$$

RELIABILITY SPECIFICATIONS:

STORAGE TEMPERATURE: -40°C TO +85°C
 HUMIDITY: 21 DAYS @ 40°C 95% RH.
 CURRENT OVERLOAD TEST: 6 TIMES I_r FOR 8 SECONDS

TEST SPECIFICATIONS:

INDUCTANCE: 0.18 mH NOMINAL
 CAPACITANCE: (MEASURED @ 1KHz, 0.250VAC MAX., 25°C±1°C)
 LINE TO GROUND: 0.047 μF±20%
 LINE TO LINE: 0.024 μF±20%

L/G AND L/L I.R. NO DISCHARGE RESISTOR: 6000MΩ (MIN.) @ 100VDC, 20°C AND 50% RH

RECOMMENDED RECEIVING INSPECTION HIPOT:

LINE TO GROUND: 1560 VAC FOR 1 MINUTE
 LINE TO LINE: 1560 VAC FOR 1 MINUTE

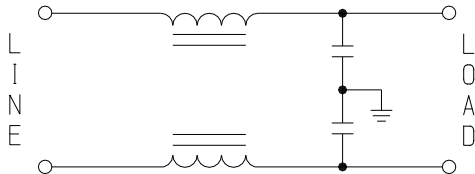
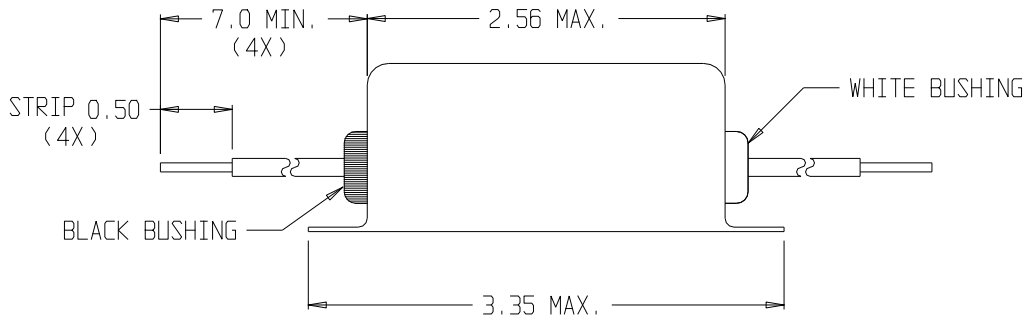
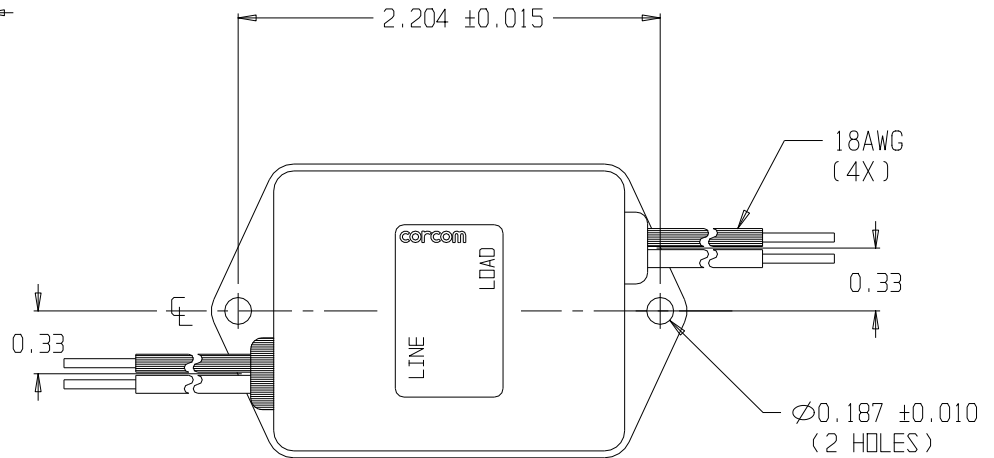
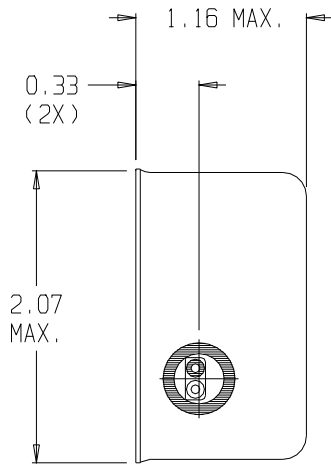
FILTER APPROVAL:

THE BEST WAY TO SELECT AND QUALIFY A FILTER IS FOR YOUR ENGINEERING TO TEST THE UNIT IN YOUR EQUIPMENT.

CUSTOMER DRAWING

CATALOG # 3EFL3

ECN #	APPRVD.	DATE
	PJO	24APR08



ELECTRICAL SCHEMATIC

50 Ω - 50 Ω (MINIMUM) INSERTION LOSS

FREQUENCY MHz	.15	.3	.6	1	4	10	20	/	/	/	/	/
COMMON dB	/	/	/	/	/	/	/	/	/	/	/	/
DIFF. dB	10	18	34	46	56	38	26	/	/	/	/	/

PARTS SHALL COMPLY WITH TYCO ELECTRONICS 230-702 SPECIFICATION FOR HAZARDOUS SUBSTANCES

UNLESS OTHERWISE SPECIFIED TOLERANCE TO BE ±0.025 MATERIAL & FINISH: AS SUPPLIED

NOTES:



POWER LINE FILTER

TYCO ELECTRONICS PART NO. 2-6609092-3

SHEET SIZE	THIRD ANGLE PROJECTION
A	

THIS INFORMATION IS CONFIDENTIAL AND PROPRIETARY TO TYCO ELECTRONICS CORPORATION AND ITS WORLDWIDE SUBSIDIARIES AND AFFILIATES. IT MAY NOT BE DISCLOSED TO ANYONE OTHER THAN TYCO ELECTRONICS PERSONNEL, WITHOUT WRITTEN AUTHORIZATION FROM TYCO ELECTRONICS CORPORATION, HARRISBURG, PENNSYLVANIA USA.

CVM AVAILABLE	YES	NO
	<input type="checkbox"/>	<input checked="" type="checkbox"/>

SCALE: 3/4	DATE: 24APR08	DRAWING NUMBER: 3FL3	REV. 0
DRW. BY: SD	DRIG: PJO		