

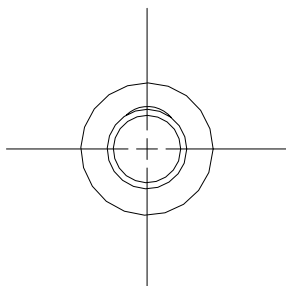
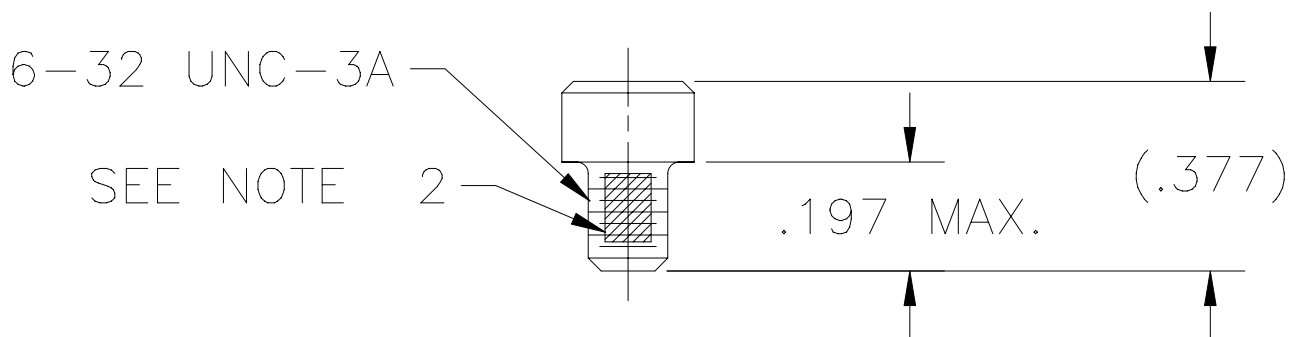
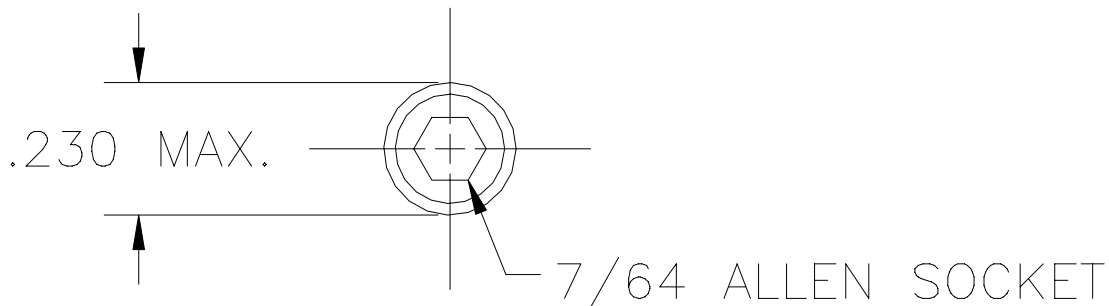


REVISIONS

| LTR | DESCRIPTION              | DATE    | APPROVED  |
|-----|--------------------------|---------|-----------|
| N/C | RELEASED PER ECN T-21495 | 11JUN97 | T. SEATON |

NOTES:

- PART SHALL HAVE SELF LOCKING ELEMENT IN ZONE INDICATED.
- SELF LOCKING ELEMENT SHALL MEET THE REQUIREMENTS OF MIL-F-18240, CONFIGURATION B AND THIS DRAWING.
- PART SHALL MEET THE INSTALLATION REMOVAL AND BREAKAWAY TORQUE VALUES SPECIFIED IN MIL-F-18240.
- MATERIAL: STAINLESS STEEL, 302 HQ PER FF-S-86.
- FINISH: PASSIVATED PER QQ-P-35.



If this document is printed it becomes uncontrolled.  
Check with the web for latest revision.

SPECIFICATION CONTROL DRAWING

UNLESS OTHERWISE SPECIFIED  
DIMENSIONS ARE IN INCHES.  
METRIC DIMENSIONS ARE  
IN BRACKETS.

DECIMALS

.XXX ± .005 [ mm ]  
.XX ± .01 [ mm ]

ANGLES

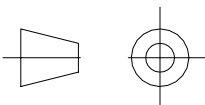
.X ± 1°

WEIGHT

lbs [ g ]

|          |            |         |
|----------|------------|---------|
| DRAWN    | T. SEATON  | 11JUN97 |
| CHECKED  |            |         |
| APPROVED | P. DUTTON  | 11JUN97 |
| PCN      | 733753-000 |         |
| CAD NAME | T21495.DWG |         |

THIRD ANGLE  
PROJECTION



*Raychem*

RAYCHEM CORPORATION  
300 CONSTITUTION DRIVE  
MENLO PARK, CALIFORNIA 94025

TITLE

ADAPTER SCREW  
MTC100Q, RECEPTACLE  
.063 MAX THICKNESS PANEL

|      |                 |          |     |
|------|-----------------|----------|-----|
| SIZE | CODE IDENT. NO. | DWG. NO. | REV |
| A    | 06090           | CHA-0296 | N/C |

DO NOT SCALE THIS DRAWING

SHEET 1 OF 1

