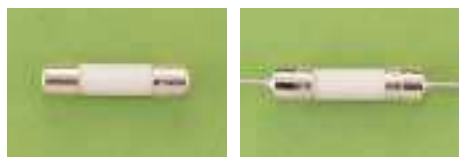


## 5HFD0903



### Electrical Characteristics (IEC-127-2 STANDARD SHEET 1)

Rated Current	1.5 In		2.1 In		2.75 In		4 In		10 In
	MIN	MAX	MIN	MAX	MIN	MAX	MIN	MAX	MAX
100mA to 3.15A	1	30	10	2	3	300	20		
4A and above	1	30	10	3	3	300	20		
	hr.	min.	ms	sec	ms	ms	ms		

### Approvals



Safety Agency Approvals	Amp range / Volt @ I.R.ability
Certificate No. 9351184; 9431177 Licence No. 40000506 Certificate No. E1262	1A - 6.3A / 250V AC@ 1,500A
Recognized File No. E20624 Acceptance File No. LR39772	100mA -10A / 250V AC@ 1,500A
File No. JET1037-31003-1004, JET1037-31003-1005	1A - 5A / 250V AC@ 1,500A
Licence No. 2002010207021529	100mA - 10A / 250V AC@ 1,500A

### Operating Temperature

-55°C to +125°C

### Physical Specification

#### Materials

Ceramic body / Nickel Plated Brass Caps

Lead wire:

Tin-lead plated Copper,  
Diameter 0.032", 6.3A and less  
Diameter 0.040", 8A and above

#### Marking

On fuse:

"bel", "F", "Current Rating", "H", "250V",  
and "Appropriate Safety Logos"

On label:

Above info plus "5HF" or "5HFP", "CE" and interrupting rating

#### Packaging

1. In bulk:

5HF - 1,000 pcs per box; 5HFP - 500 pcs per box

2. On Axial Tape & Reel:

1,500 pcs per reel

3. Tape & Reel specification:

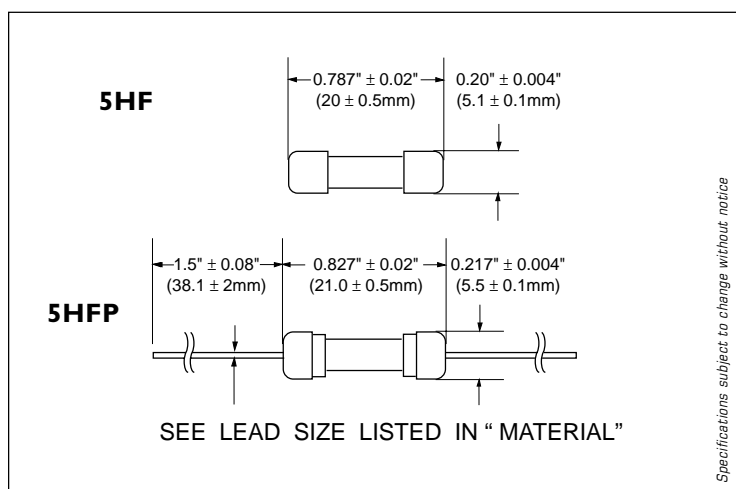
per EIA-296-E & IEC 286-1

@ 10mm Pitch and 63.5mm inside Tape Spacing

Catalog Number	Ampere Rating	Typical Cold Resistance (ohm)	Volt-drop @100% In (Volt) max.	Melting I <sup>2</sup> T < 10 mSec (A <sup>2</sup> Sec)	Melting I <sup>2</sup> T @10 In (A <sup>2</sup> Sec)	Maximum Power Dissipation (W)
5HF (P) 100	100mA	3.85	0.56	0.003	0.002	0.30
5HF (P) 125	125mA	2.78	0.54	0.005	0.004	0.36
5HF (P) 160	160mA	2.01	0.52	0.009	0.008	0.43
5HF (P) 200	200mA	1.45	0.50	0.016	0.014	0.52
5HF (P) 250	250mA	1.05	0.48	0.028	0.026	0.63
5HF (P) 315	315mA	0.76	0.46	0.051	0.046	0.76
5HF (P) 400	400mA	0.55	0.44	0.091	0.084	0.92
5HF (P) 500	500mA	0.40	0.43	0.16	0.15	1.11
5HF (P) 630	630mA	0.29	0.41	0.29	0.27	1.35
5HF (P) 800	800mA	0.21	0.20	0.36	0.35	0.58
5HF (P) 1	1A	0.15	0.18	0.65	0.63	0.69
5HF (P) 1.25	1.25A	0.11	0.17	1.17	1.15	0.81
5HF (P) 1.6	1.6A	0.08	0.16	2.10	2.07	0.96
5HF (P) 2	2A	0.06	0.15	3.8	3.7	1.1
5HF (P) 2.5	2.5A	0.04	0.14	6.8	6.8	1.3
5HF (P) 3.15	3.15A	0.031	0.14	12.2	12.3	1.6
5HF (P) 4	4A	0.023	0.13	22	22	1.9
5HF (P) 5	5A	0.016	0.12	39	40	2.2
5HF (P) 6.3	6.3A	0.012	0.113	70	73	2.7
5HF (P) 8	8A	0.009	0.106	126	131	3.1
5HF (P) 10	10A	0.006	0.100	227	238	3.7

Consult manufacturer for other ratings

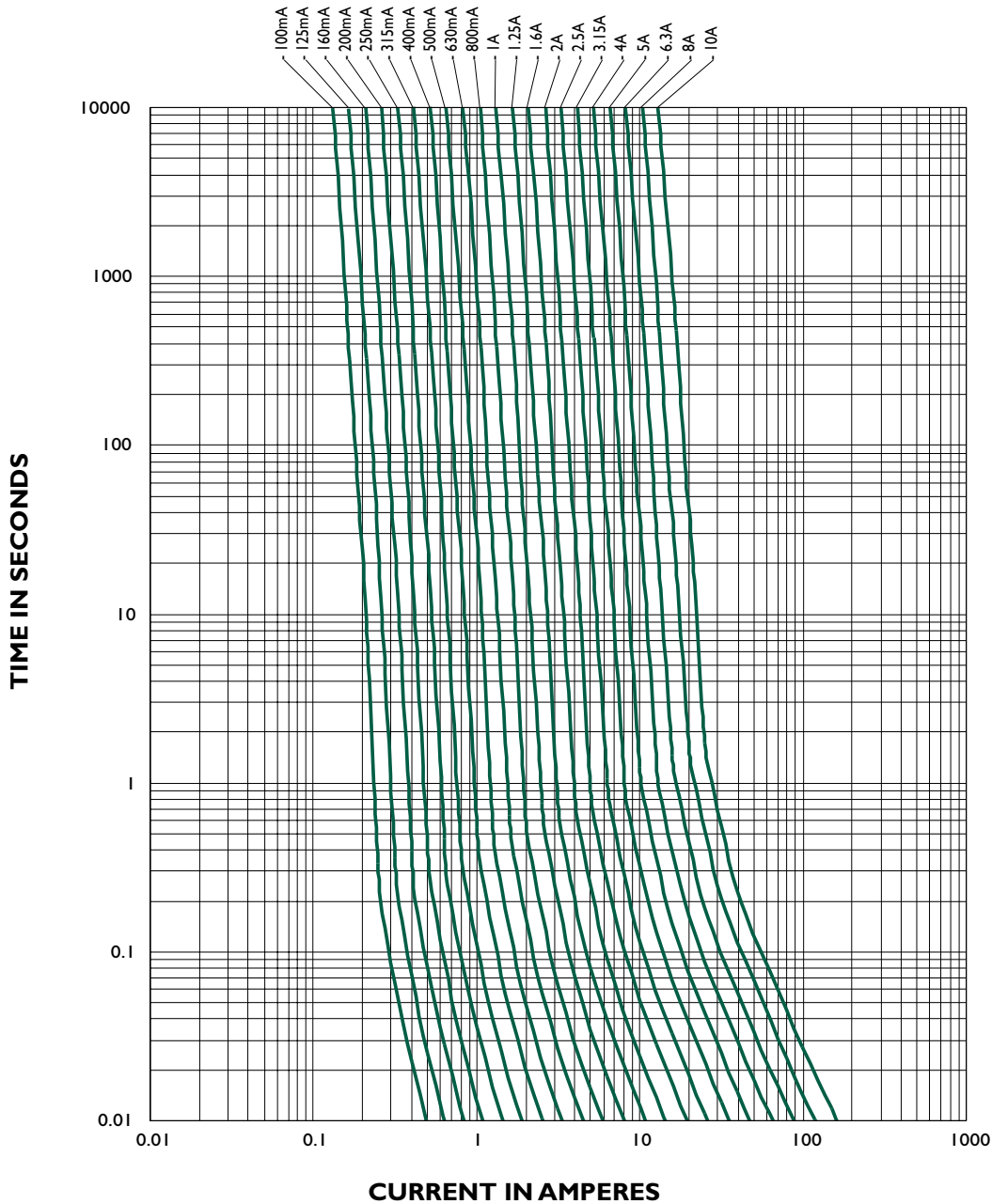
### Mechanical Dimensions



Specifications subject to change without notice

ORDERING INFORMATION SEE PAGES 67 & 68

### 5HF / 5HFP - TIME CURRENT CHARACTERISTIC CURVE



Specifications subject to change without notice

NOTE - see important information under "User Guide" on P.08

**Corporate Office**  
**Bel Fuse Inc.**  
 206 Van Vorst Street, Jersey City, NJ 07302  
 Tel: 201-432-0463  
 Fax: 201-432-9542  
 E-Mail: belfuse@belfuse.com  
 Website: www.belfuse.com

**Far East Office**  
**Bel Fuse Ltd.**  
 8F/8 Luk Hop Street  
 San Po Kong  
 Kowloon, Hong Kong  
 Tel: 852-2328-5515  
 Fax: 852-2352-3706

**European Office**  
**Bel Fuse Europe Ltd.**  
 Preston Technology Management Centre  
 Marsh Lane, Preston PR1 8UD  
 Lancashire, U.K  
 Tel: 44-1772-556601  
 Fax: 44-1772-888366