

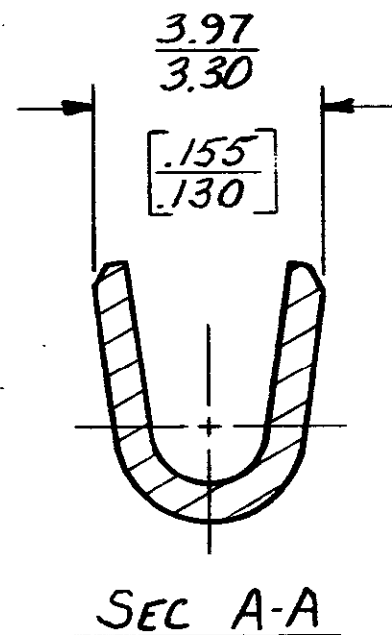
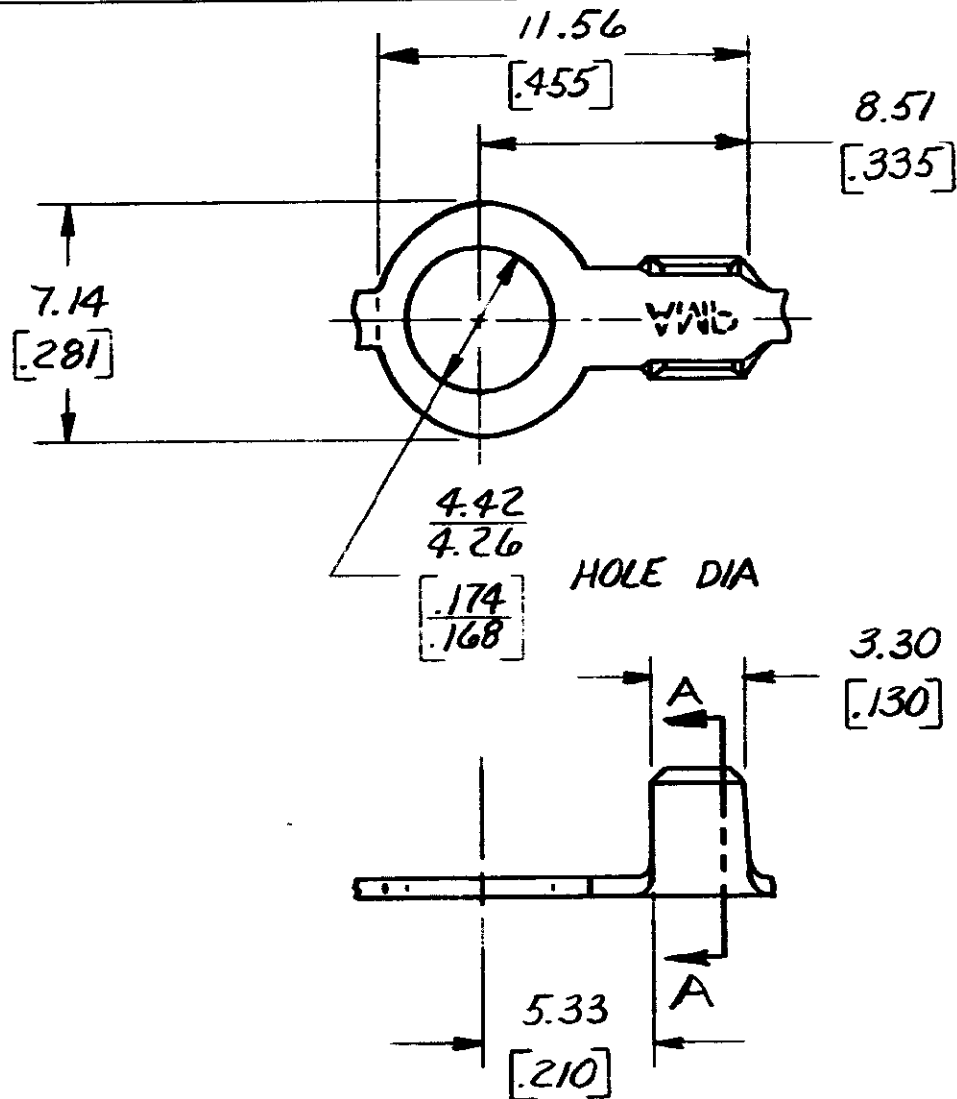
THIS DRAWING IS UNPUBLISHED.

RELEASED FOR PUBLICATION

, 19

© COPYRIGHT 19 BY AMP INCORPORATED, HARRISBURG, PA. ALL INTERNATIONAL RIGHTS RESERVED. AMP PRODUCTS MAY BE COVERED BY U.S. AND FOREIGN PATENTS AND/OR PATENTS PENDING.

REVISIONS						
P	F	ZONE	LTR	DESCRIPTION	DATE	APPROVED
	✓		C	REDRAWN	2/6/84	SS/



- 1. DIMS IN BRACKETS ARE IN INCHES.
- 2. CONTINUOUS STRIP ON REELS.

METRIC

UNLESS OTHERWISE SPECIFIED DIMENSIONS ARE IN INCHES - MM		CONTRACT NO		0.8 - 2.0 mm ² #78-#14		40951	
TOLERANCES ON:		DR		WIRE RANGE		PART NO	
DECIMALS ±0.38 [015]		2-6-89		AMP		AMP INCORPORATED	
ANGLES ±		CHK		HARRISBURG, PA.		NAME	
MATERIAL		APPD		RING			
0.51 [020]		APPD		SIZE		FSCM NO	
BRASS		DSGN APPD		B		00779	
FINISH		OTHER APPD		DRAWING NO		40951	
NONE				SCALE		SHEET	

CUSTOMER DRAWING