

Technical specification:

Rated voltage: max. 30 V

Current rating: 2A signal contact, total ampacity max. 12A

Insulation resistance: IEC 60512 >=100 MΩ

Pollution degree: IEC 60664-1 3/2

Degree of protection: IEC 60529 IP 67, in mated condition

Temperature range: IEC 60664-1 -20°C ... +80°C (unmoved)

Mating cycles: IEC 60512-9a <=100

Materials:

Contact: CuSn6

Contact plating: Nickel, gold plated

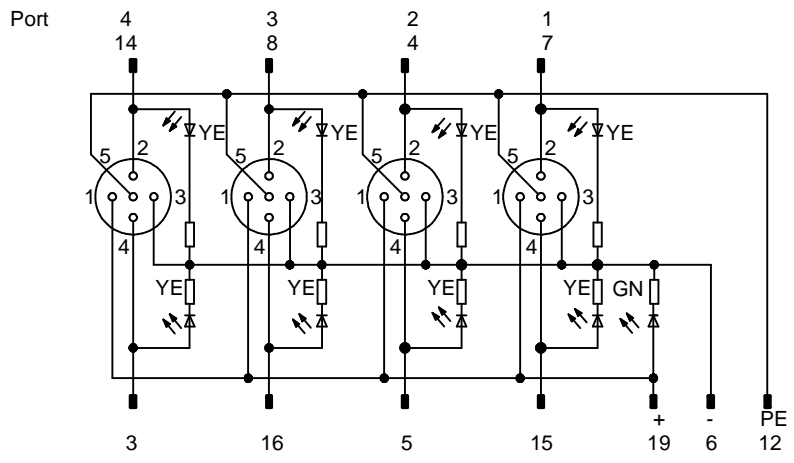
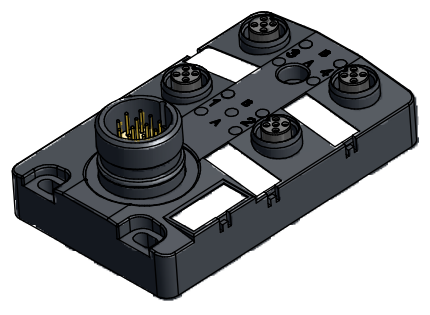
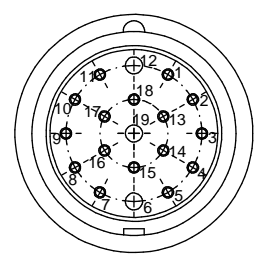
Contact carrier: PBT, UL 94

Sealing: FPM

Housing: PBT, UL 94 similar to RAL 7024

Grouting: Polyurethane-resin, UL 94

Pin-Configuration M23x1



Part no:	Description:
43-05014	SAL - 12 - 4FK5 - 9L

DO NOT ALTER CAD DRAWING BY HAND Directive 2002/95/EC RoHS compliant	Index: b 22.08.11 VF Ä3941 data sheet revised	dim. in mm	title: Junction box M12x1 4-way with connector M23x1, plastic housing						
	tolerance of cable:	<table border="1"> <tr> <td>date</td> <td>name</td> </tr> <tr> <td>05.10.07</td> <td>Fromm</td> </tr> <tr> <td>14.02.08</td> <td>W. Schmidt</td> </tr> </table>		date	name	05.10.07	Fromm	14.02.08	W. Schmidt
	date	name							
	05.10.07	Fromm							
14.02.08	W. Schmidt								
general tolerance:		part no: see table							
THIS DRAWING MAY NOT BE COPIED OR REPRODUCED IN ANY WAY, AND MAY NOT BE PASSED ON TO A THIRD PARTY WITHOUT WRITTEN PERMISSION. OWNERSHIP AND COPYRIGHT OF CONEC GmbH									