

1-353293-6 ✓ ACTIVE

AMP Mini CT

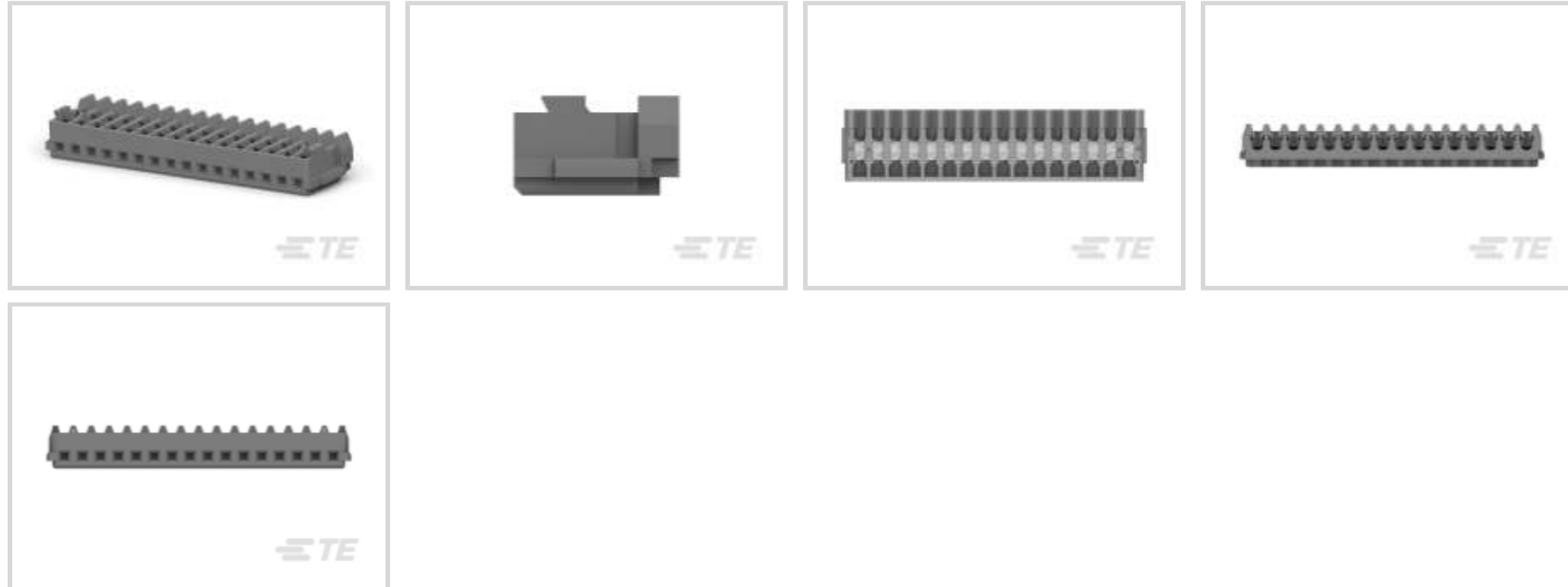
TE Internal #: 1-353293-6

Connector Assembly, Receptacle, Wire-to-Board, 16 Position, .06 in [1.5 mm] Centerline, Insulation Displacement (IDC), 1 Row, Natural, AMP Mini CT

[View on TE.com >](#)



Connectors > PCB Connectors > Wire-to-Board Connectors > Wire-to-Board Connector Assemblies & Housings



Connector Product Type: **Connector Assembly**

Connector & Housing Type: **Receptacle**

Connector System: **Wire-to-Board**

Number of Positions: **16**

Centerline (Pitch): **1.5 mm [.06 in]**

Features

Product Type Features

Connector Product Type	Connector Assembly
Connector & Housing Type	Receptacle
Connector System	Wire-to-Board
Sealable	No
Connector & Contact Terminates To	Wire & Cable

Configuration Features

Number of Positions	16
Number of Rows	1

Body Features

Primary Product Color	Natural
-----------------------	---------

Contact Features

Contact Current Rating (Max)	2 A
------------------------------	-----

Termination Features

--	--



Termination Method to Wire & Cable

Insulation Displacement (IDC)

Mechanical Attachment

Mating Retention Type

Lock

Mating Retention

With

Connector Mounting Type

Cable Mount (Free-Hanging)

Housing Features

Centerline (Pitch)

1.5 mm [.06 in]

Usage Conditions

Operating Temperature Range

-30 – 105 °C [-22 – 221 °F]

Operation/Application

Circuit Application

Power & Signal

Product Compliance

For compliance documentation, visit the product page on [TE.com](https://www.te.com)>

EU RoHS Directive 2011/65/EU

Compliant

EU ELV Directive 2000/53/EC

Compliant

China RoHS 2 Directive MIIT Order No 32, 2016

No Restricted Materials Above Threshold

EU REACH Regulation (EC) No. 1907/2006

Current ECHA Candidate List: JUNE 2023 (235)
Candidate List Declared Against: JAN 2023 (233)
Does not contain REACH SVHC

Halogen Content

Not Low Halogen - contains Br or Cl > 900 ppm.

Solder Process Capability

Not applicable for solder process capability

Product Compliance Disclaimer

This information is provided based on reasonable inquiry of our suppliers and represents our current actual knowledge based on the information they provided. This information is subject to change. The part numbers that TE has identified as EU RoHS compliant have a maximum concentration of 0.1% by weight in homogenous materials for lead, hexavalent chromium, mercury, PBB, PBDE, DBP, BBP, DEHP, DIBP, and 0.01% for cadmium, or qualify for an exemption to these limits as defined in the Annexes of Directive 2011/65/EU (RoHS2). Finished electrical and electronic equipment products will be CE marked as required by Directive 2011/65/EU. Components may not be CE marked. Additionally, the part numbers that TE has identified as EU ELV compliant have a maximum concentration of 0.1% by weight in homogenous materials for lead, hexavalent chromium, and mercury, and 0.01% for cadmium, or qualify for an exemption to these limits as defined in the Annexes of Directive 2000/53/EC (ELV). Regarding the REACH Regulation, the information TE provides on SVHC in articles for this part number is based on the latest European Chemicals Agency (ECHA) 'Guidance on requirements for substances in articles' posted at this URL: <https://echa.europa.eu/guidance-documents/guidance-on-reach>

Compatible Parts



TE Part # 1-292230-6
1.5 MINI CT SGL V SMT W/BOSS 1



TE Part # 3-292208-2
MINI CT D/R DIP 32P V NAT



TE Part # 1-292215-6
MINI CT SGL RELAY 16P NAT



TE Part # 1-292207-6
MINI CT SGL DIP V 16P NAT



TE Part # 3-353294-2
AMP MINI D/R HDR HSG 32P NATU



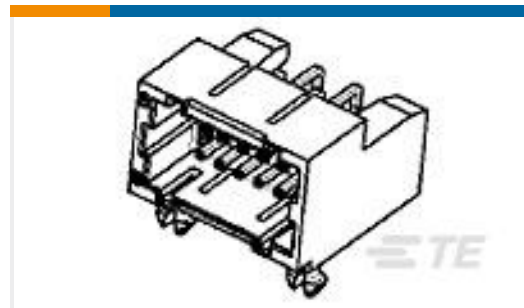
TE Part # CAT-AM7053-H342
MINI COMMON TERMINATION HEADERS



TE Part # 1-292232-6
1.5 MINI CT SGL V SMT W/BOS,PO



TE Part # 1-292228-6
1.5 MINI CT SGL H SMT W/O BOSS



TE Part # 3-292262-2
DBL ROW (H) DIP TYPE WITH BOAR



TE Part # 3-292216-2
MINI CT D/R RELAY 32P V NAT



TE Part # 1-292227-6
1.5 MINI CT SGL H SMT W BOSS 1



TE Part # 1-292231-6
1.5 MINI CT SGL V SMT W/O BOSS



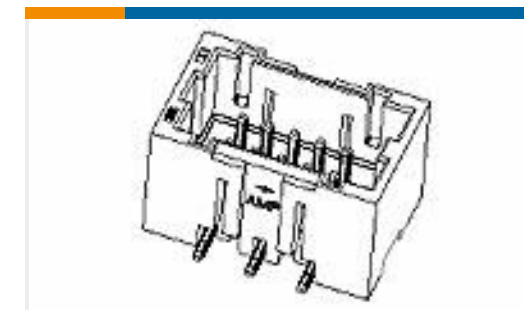
TE Part # 1-292272-6
S/R POST HDR ASSY V DIP AU-PL. 16P GRAY



TE Part # 1-292371-6
SINGLE ROW POST HEADER ASS'Y SMT TYPE W/



TE Part # 1-292372-6
SINGLE ROW POST HEADER ASS'Y SMT TYPE W/



TE Part # 3-292229-2
1.5 MINI CT D/R SMT 32P V ONTA



TE Part # 6-292207-6
MINI CT SGL DIP V 16P BLUE



TE Part # 6-292227-6
1.5 MINI CT SGL H SMT W BOSS 1



TE Part # 6-292228-6
1.5 MINI CT SGL H SMT W/O BOSS

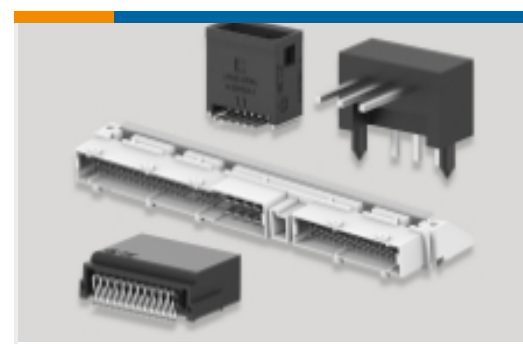


TE Part # 6-292230-6
1.5 MINI CT SGL V SMT W/BOSS 1

Also in the Series | **AMP Mini CT**



PCB Connector Mounting(10)

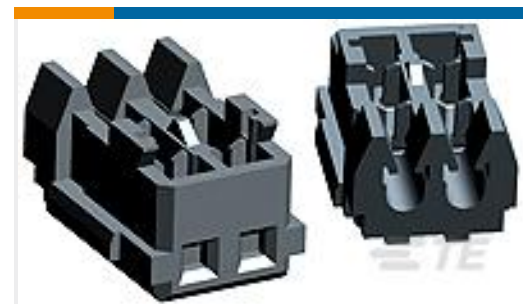
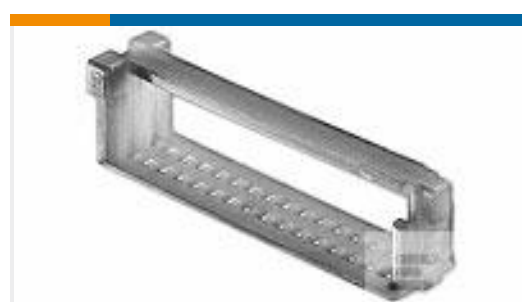


PCB Headers & Receptacles(332)

Wire-to-Board Connector Assemblies
& Housings(172)

Wire-to-Board Connector Contacts(4)

Customers Also Bought

TE Part #292254-5
CT RELAY HDR ASSY 5P NATTE Part #353293-8
MINI CT MT REC ASSY 8P GRAYTE Part #292215-6
MINI CT SGL RELAY 6P NATTE Part #292215-4
MINI CT SGL RELAY 4P NATTE Part #2-353294-2
AMP MINI D/R HDR HSG 22P NATUTE Part #1-353293-5
1.5 MINI-CT RECEPTACLETE Part #3-353293-1
1.5MM CT MT REC ASSY 11P BLACKTE Part #353293-3
MINI CT MT REC ASSY 3P GRAYTE Part #3-353293-2
1.5MM CT MT REC ASSY 12P BLACKTE Part #2-353293-5
1.5MM CT MT REC ASSY 5P BLACK

Documents

CAD Files

Customer View Model

[ENG_CVM_CVM_1-353293-6_K.2d_dxf.zip](#)

English

[3D PDF](#)

3D

Customer View Model

[ENG_CVM_CVM_1-353293-6_K.3d_igs.zip](#)



English

Customer View Model

[ENG_CVM_CVM_1-353293-6_K.3d_stp.zip](#)

English

By downloading the CAD file I accept and agree to the [Terms and Conditions](#) of use.

Product Specifications

Product Specification

Japanese

[AMP MINI CCOMMON TERMINATION \(CT\), CONNECTOR, 1.5mm PITCH, M/T TYPE, LEAD FREE VERSION](#)

Japanese

Product Specification

English

[CT DOUBLE ROW CONNECTOR](#)

English

Product Specification

English

Product Environmental Compliance

[MD_1-353293-6_111620152314_dmtec](#)

English

[MD_1-353293-6_111620152314_dmtec](#)

English

Instruction Sheets

[AIR MINI PRESS FOR AMP MINI CT CONNECTOR](#)

Japanese

[Instruction Sheet \(non U.S.\)](#)

Japanese

[Instruction Sheet for Mini CT DC Drawer Connector SF Type](#)

Japanese

[Instruction Sheet \(non U.S.\)](#)

English

[1.5mm Pitch Mini CT DC Drawer Connector SF Type](#)

Japanese

[Instruction Sheet \(non U.S.\)](#)

Japanese

[1.5mm Pitch Mini CT Hybrid Drawer Connector SF Type](#)

Japanese

[Instruction Sheet \(non U.S.\)](#)

Japanese

[1.5mm Pitch Mini CT Hybrid Drawer Connector Slim Type](#)

Japanese



Instruction Sheet (non U.S.)

Japanese

Agency Approvals

UL

English