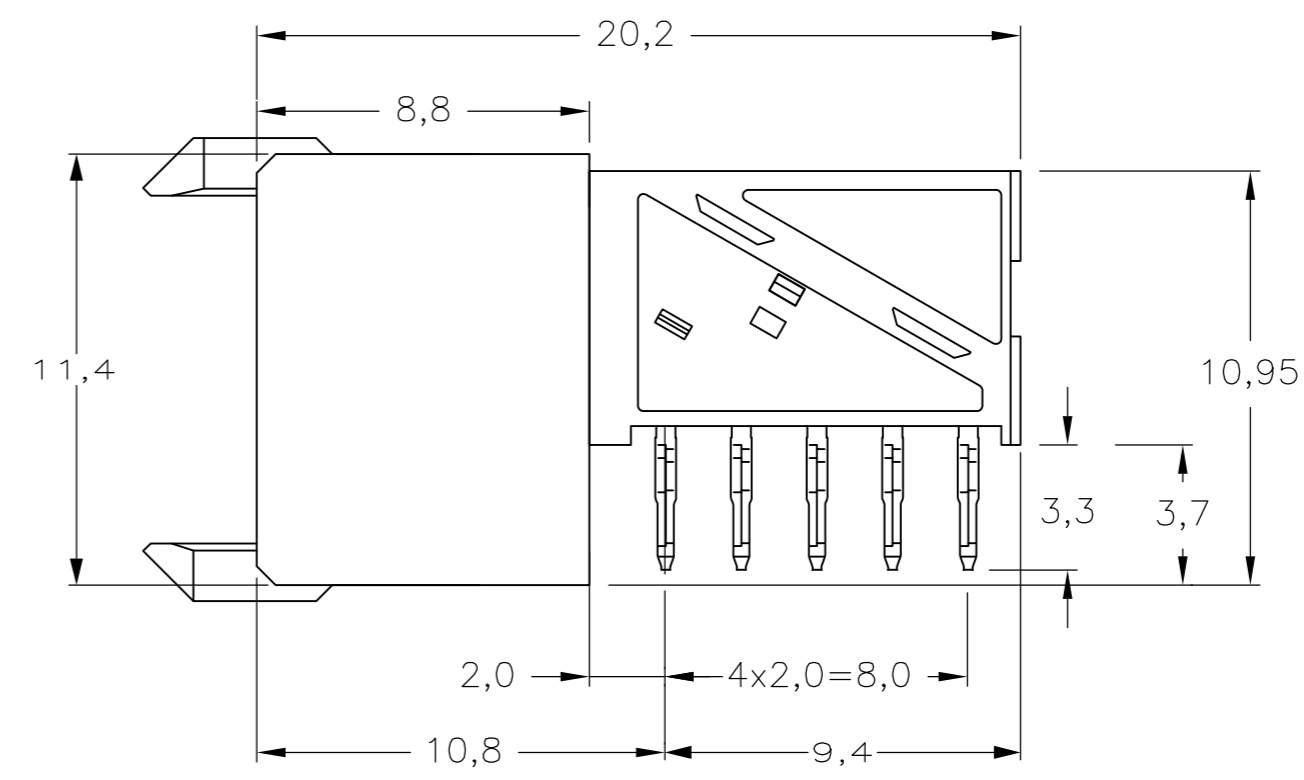
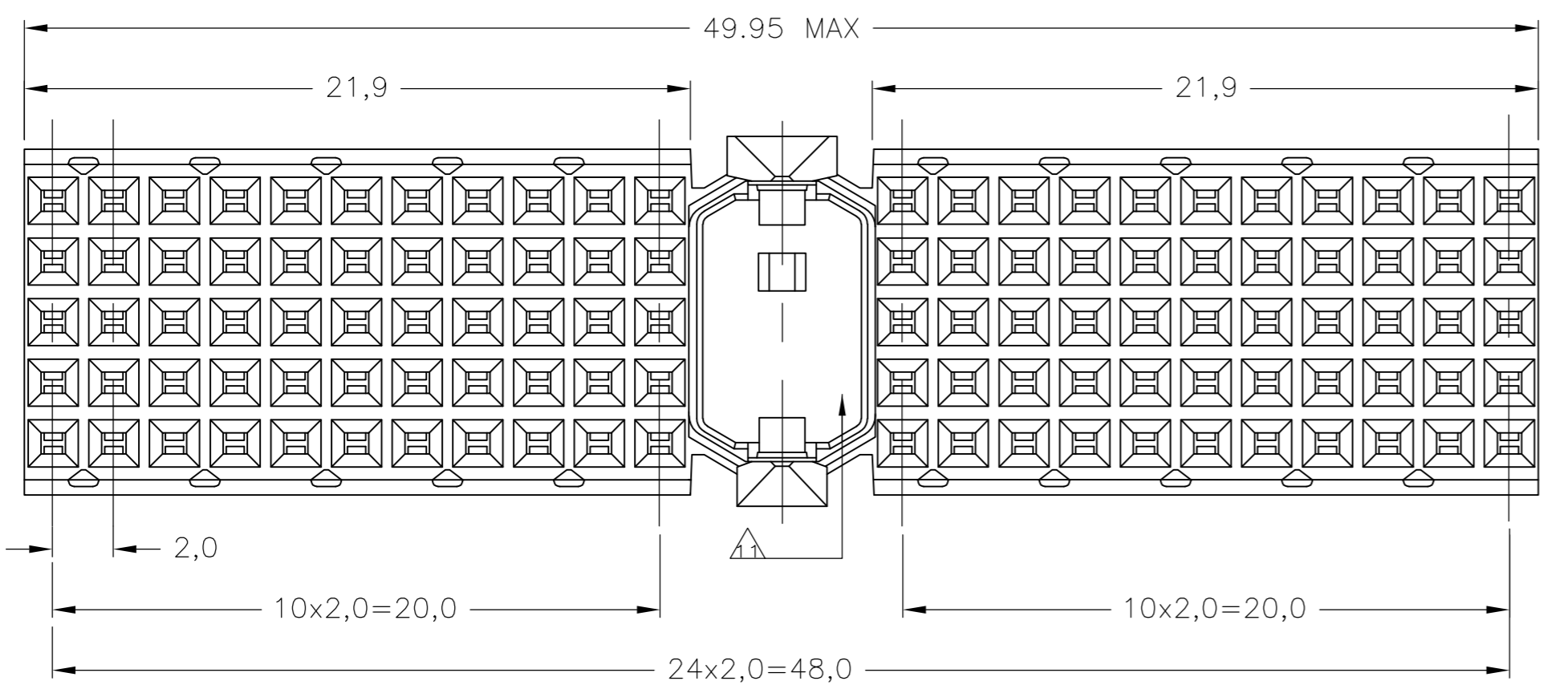
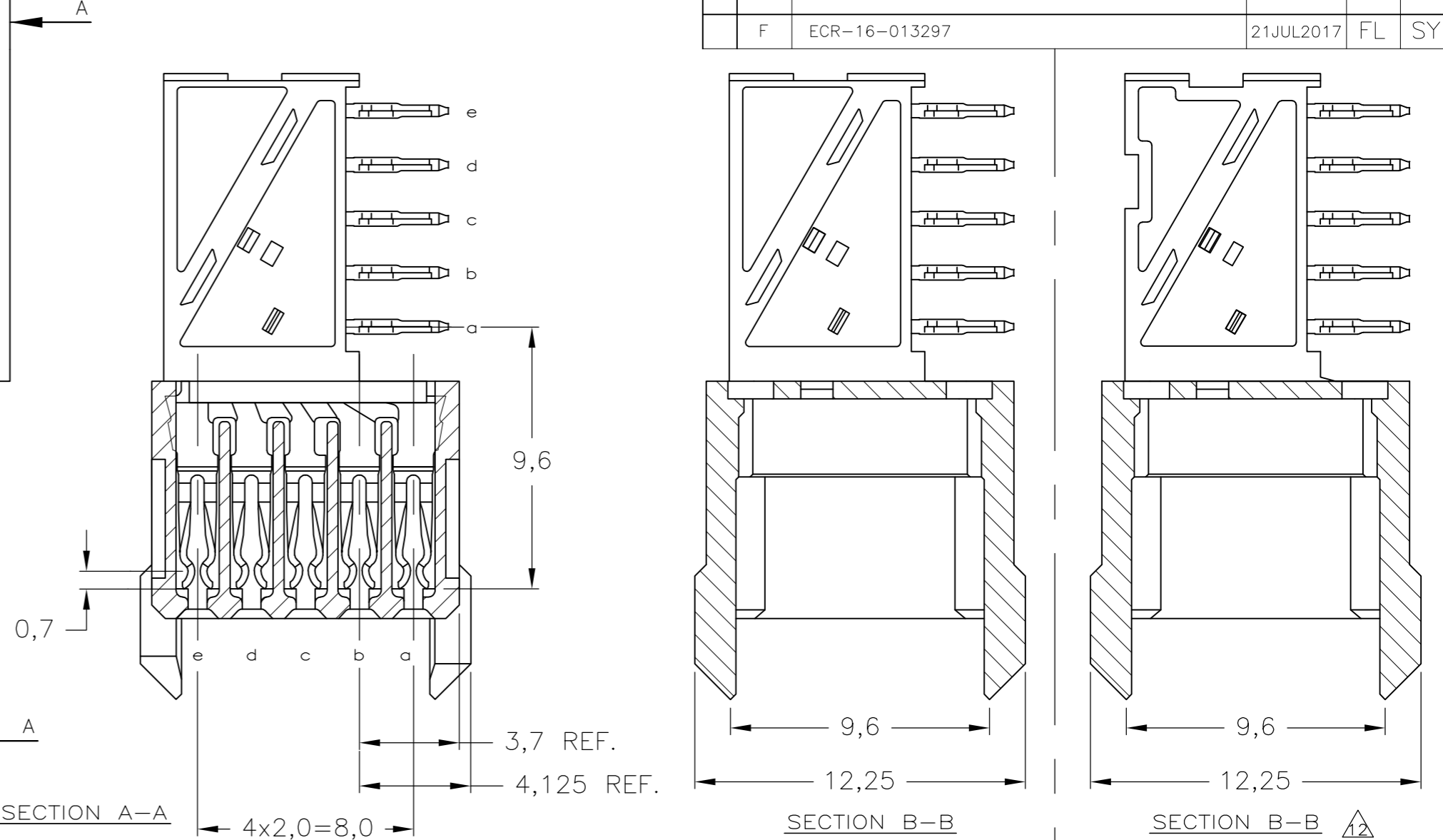
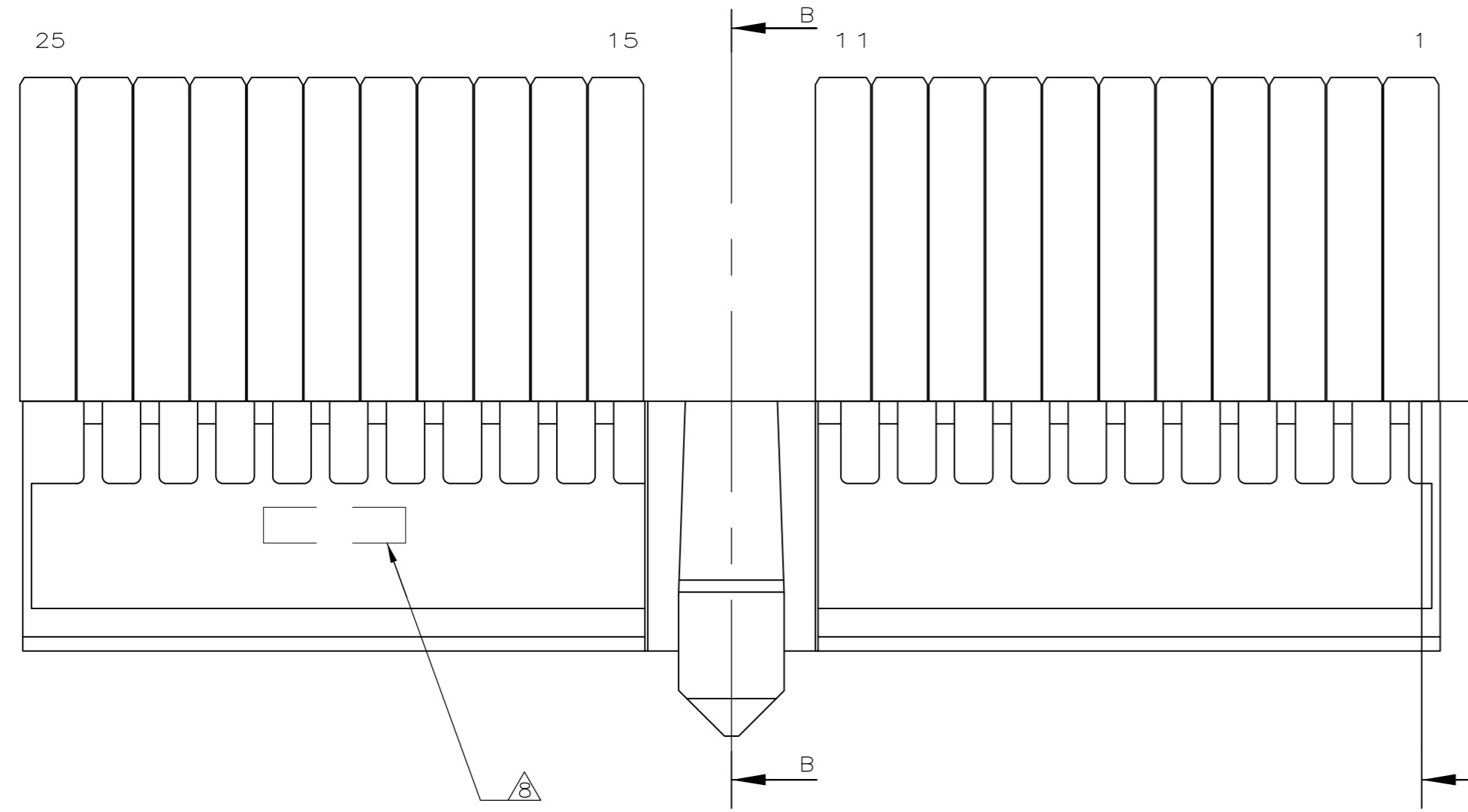
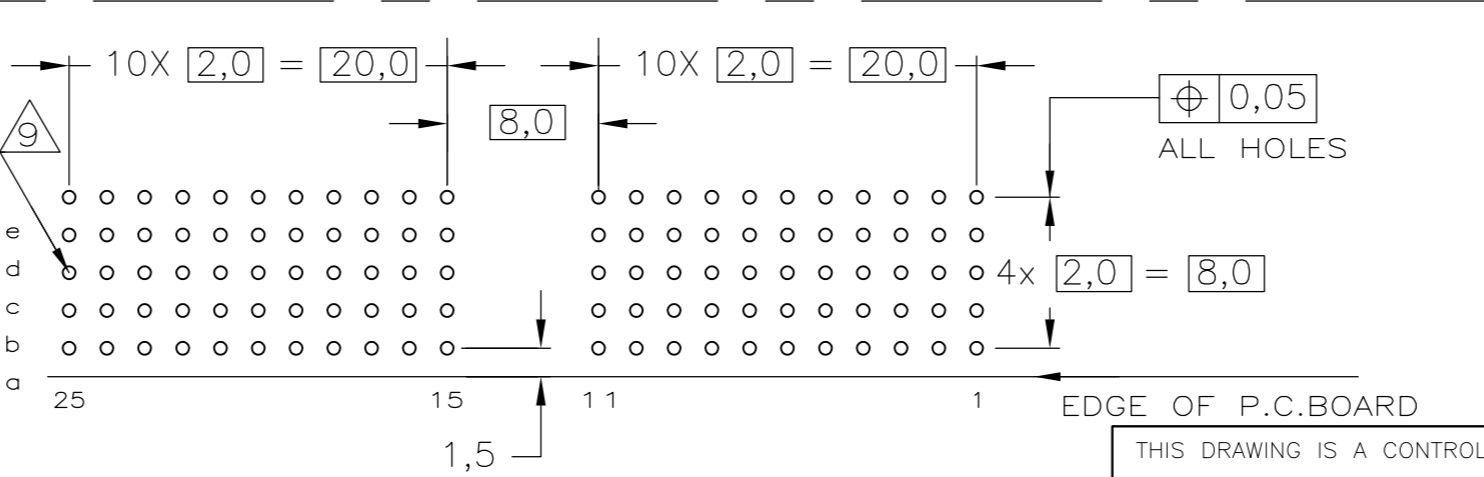


THIS DRAWING IS UNPUBLISHED. RELEASED FOR PUBLICATION  
 © COPYRIGHT - By - ALL RIGHTS RESERVED.

REVISIONS				
P	LTR	DESCRIPTION	DATE	APVD
F	ECR-16-013297		21JUL2017	FL SY



- NOTES:**
- 1 MATERIAL CONTACT; PHOSPHORBRONZE
  - 2 MATERIAL HOUSING; GLASSFILLED POLYESTER (GRAY) UL-RATING 49V0
  - 3 GENERAL PLATING SPECIFICATION: UNDERPLATING (ENTIRE CONTACT): 1,27µm NICKEL MIN. AND ACTION PIN: 0,5µm TIN MIN. FOR PLATING OF MATING SURFACES SEE APPLICABLE SPECIFICATION REFERENCE FOR EACH DASH NUMBER.
  - 4 CONFORMS TO ALL TESTING ACCORDING IEC 61076-4-101 PERFORMANCE LEVEL 2.
  - 5 CONFORMS TO ALL TESTING ACCORDING IEC 61076-4-101 PERFORMANCE LEVEL 1.
  - 6 CONNECTOR TESTED AND QUALIFIED AGAINST TELCORDIA GR-1217-CORE QUALITY LEVEL III, CENTRAL OFFICE APPLICATIONS.
  - 7 CONNECTOR TESTED AND QUALIFIED AGAINST TELCORDIA GR-1217-CORE QUALITY LEVEL III, UNCONTROLLED ENVIRONMENT APPLICATIONS.
  - 8 CONNECTOR LUBRICATED WITH TELCORDIA GR-1217-CORE APPROVED LUBRICANT.
  - 9 CONNECTOR MARKED WITH PARTNUMBER AND DATECODE. THE MARKING CAN APPEAR ON THE FRONT SIDE OR ON THE BACK SIDE.
  - 10 PLATED-THROUGH HOLES AT 2x2mm SQUARE GRID. 110 HOLES.
  - 11 FITS WITH INTEGRATED GROUND RETURN UPPERSHIELD, BASIC P.N. 5338107 AND INTEGRATED GROUND RETURN LOWERSHIELD, BASIC P.N. 5338108
  - 12 AREA RESERVED FOR CODING KEY, BASIC P.N. 100526
  - 13 CONNECTOR ASSEMBLED WITH ALTERNATE FEMALE CONTACTS.
  - 14 0,76µm MIN. GOLD PLATING AT MATING SURFACES.



SCALE 2,5:1  
 COMPONENT SIDE AS SHOWN  
 RECOMMENDED PCB-HOLE LAY-OUT

P.C.B. HOLE DIM. ACTION PIN  
 FOR DETAILS SEE APPLICATION SPECIFICATION

FINISH	MATERIAL	PARTNUMBER
233		3-5100147-0
263		1-5100147-9
253		5100147-9
243		5100147-4
233		5100147-1

THIS DRAWING IS A CONTROLLED DOCUMENT.

DWN	05AUG2004	K.N.KIRAN	TE Connectivity
CHK	22SEP2004		
APVD	22SEP2004	B.MOOIJ	Z-PACK 2mm HM TYPE A 110 POS. FEMALE CONNECTOR
PRODUCT SPEC	108-19082	114-19029	SIZE A2 CAGE CODE 00779 DRAWING NO. C=5100147
APPLICATION SPEC	114-19029	WEIGHT 0.00000	RESTRICTED TO -
CUSTOMER DRAWING		SCALE 5:1 SHEET 1 of 1 REV F	