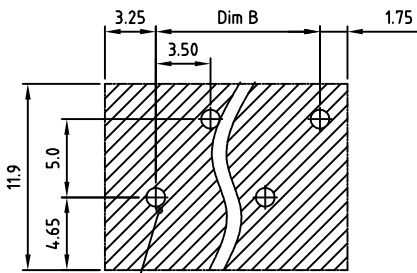
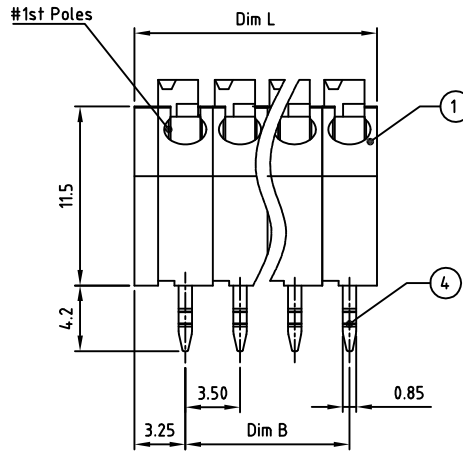
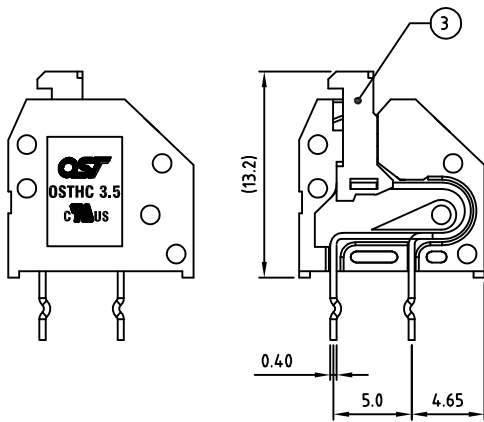
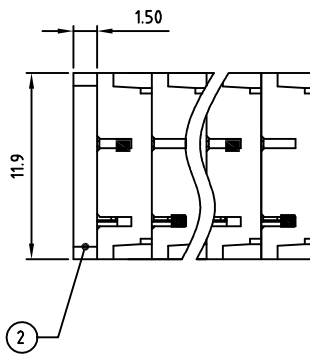


Transfer or duplication of this document as well as the utilisation or communication of its content are not permitted unless express consent is granted. Violations give rise to claims for damages. All rights reserved in case of patent, utility model or design patent registrations.



PCB LAYOUT

PIN 1 FORWARD



Technical data

- 1.Nominal voltage: 300V/5.5A  
PITCH:3.5mm
- 2.Connection capacity:  
AWG 22-16
- 3.Insulation Withstanding Voltage:  
AC 1600V/MIN
- 4.Insulation Resistance:  
1000MΩ or more at DC500V
- 5.Stripping length: 9-10mm
- 6.Operating temperature range:-40°C ~ 115°C  
Soldering temperature:250°C±10°C /5s
- 7.Undimensioned Tolerances:

Dim.L=Px3.5+1.5		
Dim.B=(P-1)x3.5		
P= number of poles(2-24P)		
0-30mm	±0.15	±0.20
over 30mm-60mm	±0.20	±0.25
over 60mm-90mm	±0.25	±0.30
over 90mm	±0.30	±0.40

8.Safety approval:

9.RoHS Compliance

Part No.: OSTHCXX0080

No. of Poles	COLOR
02 2 Poles	0: Black
03 3 Poles	2: Red
...	3: Orange
24 24 Poles	4: Yellow
	5: Green
	6: Blue
	8: Grey (Standard)

Nonstandard colors  
Mins could apply

4	CONTACT	PHBZ	Tin PLATED	P	
3	LEVEL	PA66 UL94V-0	ALL COLOR	P	
2	End COVER	PA66 UL94V-0	ALL COLOR	1	
1	BODY	PA66 UL94V-0	ALL COLOR	P	
ITEM	NAME OF PART	MATERIAL	NOTES	Q"TY	
DWG	WF. Zhang	DATE 2017.09.26	UNITS: MM	SHEET: 1 OF 1	Tolerance
CHK.	WF. Zhang	DATE 2018.01.30	SCALE: NONE 3:1 ( : )	REV: A	X. ±0.50
APP.		DATE	TITLE: OSTHC Series 3.5mm center Staggered contact		X.XX ±0.30
			PART NO. OSTHCXX0080		X* ±1°
			DWG NO. OSTHCXX0080.DWG		

SIGN	DESCRIPTION	CHK.	DATE	



ON-SHORE TECHNOLOGY, INC.