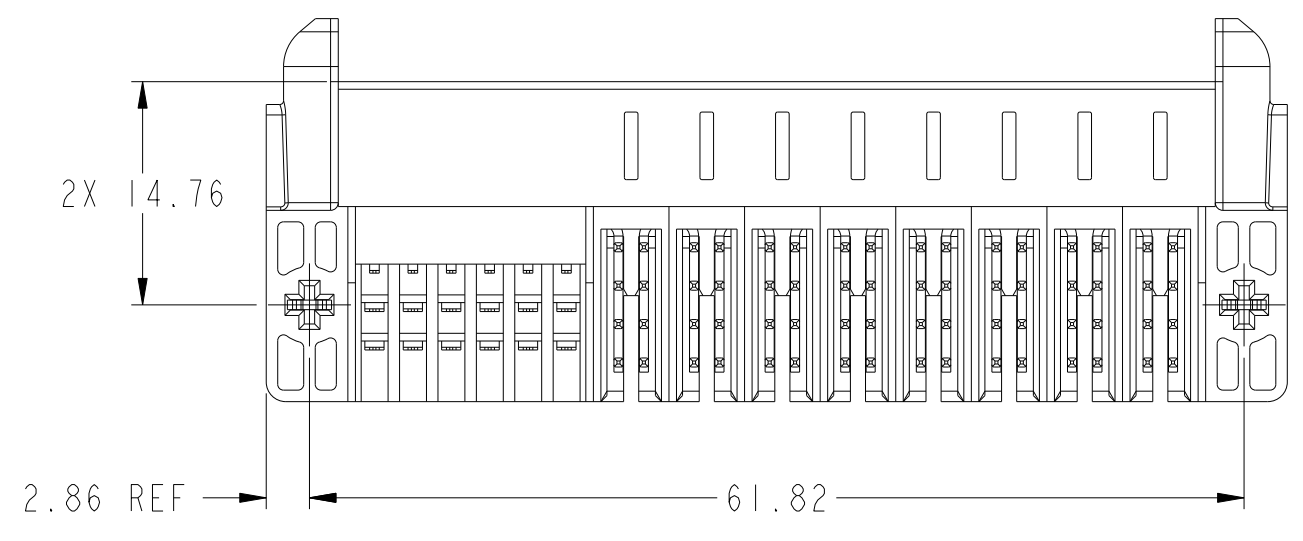
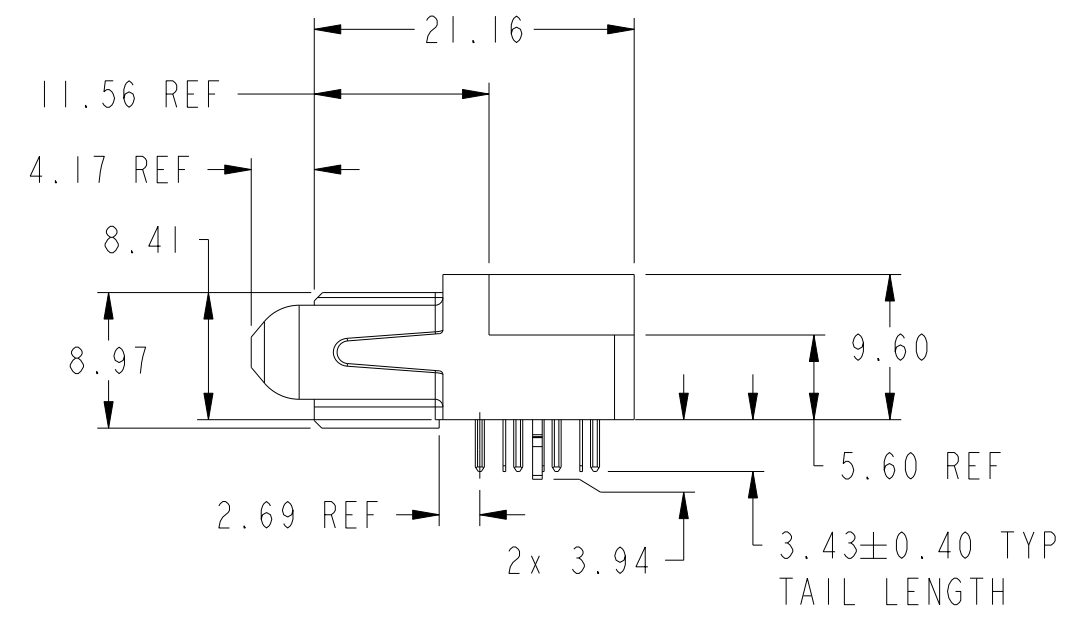
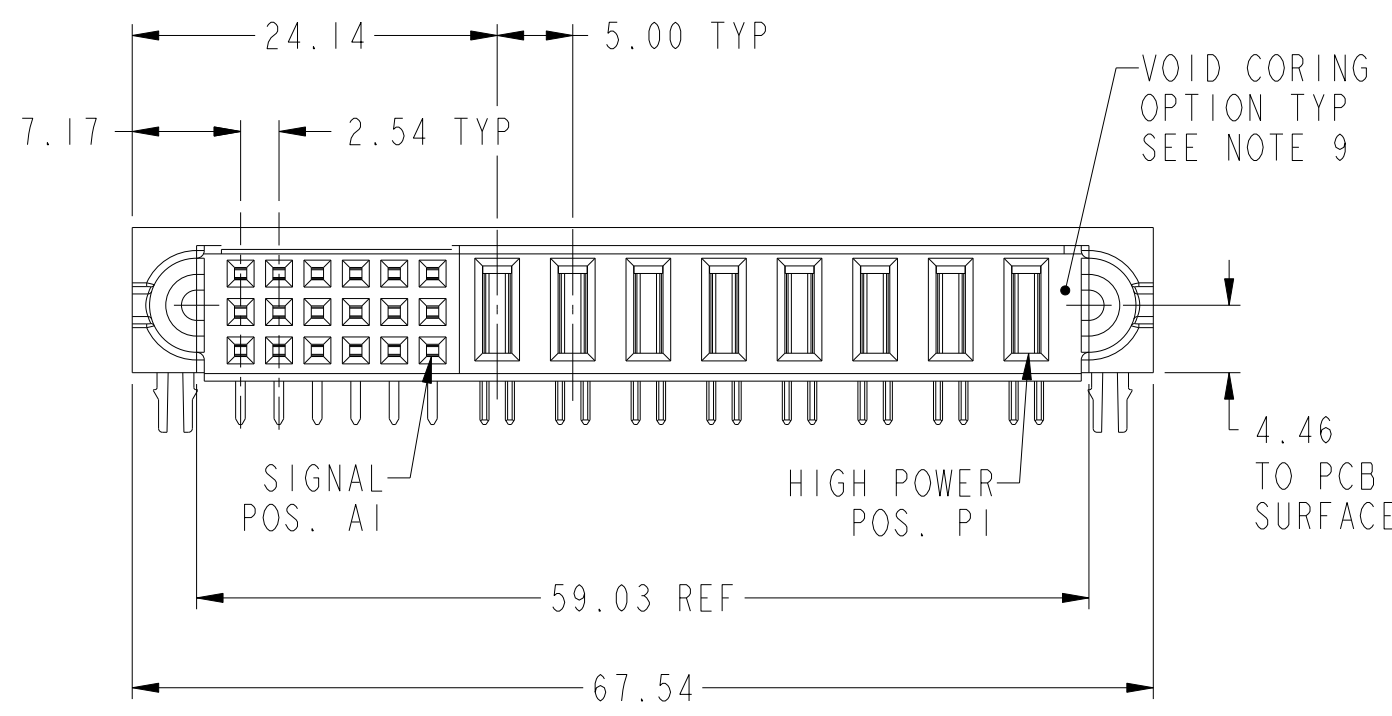
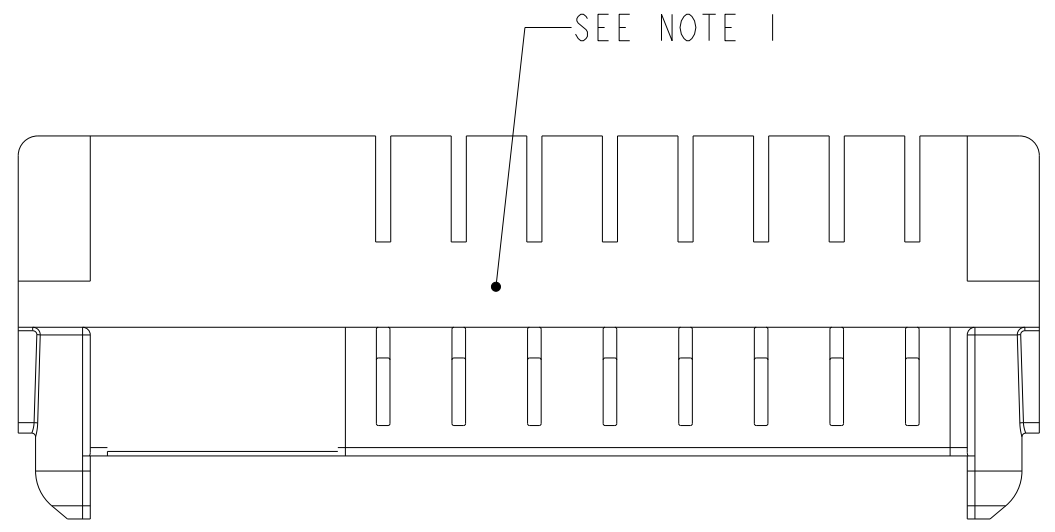


PRODUCT NUMBER  
10127401-04HI400LF



Copyright FCI.  
**FCI**

spec ref	-	dr	Daniel Xiao	2014/07/02	projection	mm	size	A2	scale	2:1	
tolerance std	ASME Y14.5	eng	De-Ming Lu	2015/12/29			ecn no	-			
TOLERANCES UNLESS OTHERWISE SPECIFIED		chr	Fancy Zhang	2015/12/29			rel level	Released			
surface	ASME Y14.5	appr	Pei-Ming Zheng	2015/12/29			product family	PwrBlade ULTRA	cat. no.	-	Product - Customer Drw
		linear	0.X	±0.5			title	8HP+18S, SOLDER-TO-BOARD		rev	A
			0.XX	±0.25			dwg no	10127401-04HI400			
		angular	0°	±2°			rel level	Released			

PDS: Rev :A

STATUS:Released

Printed: Jan 06, 2016

PRODUCT NO.

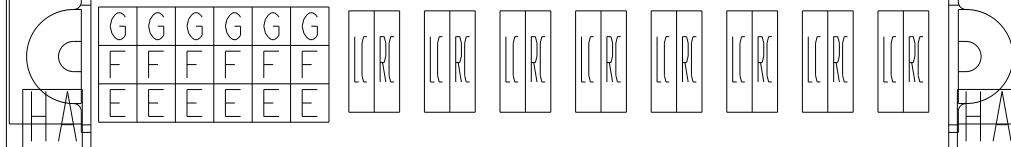
ROWS

SIGNAL

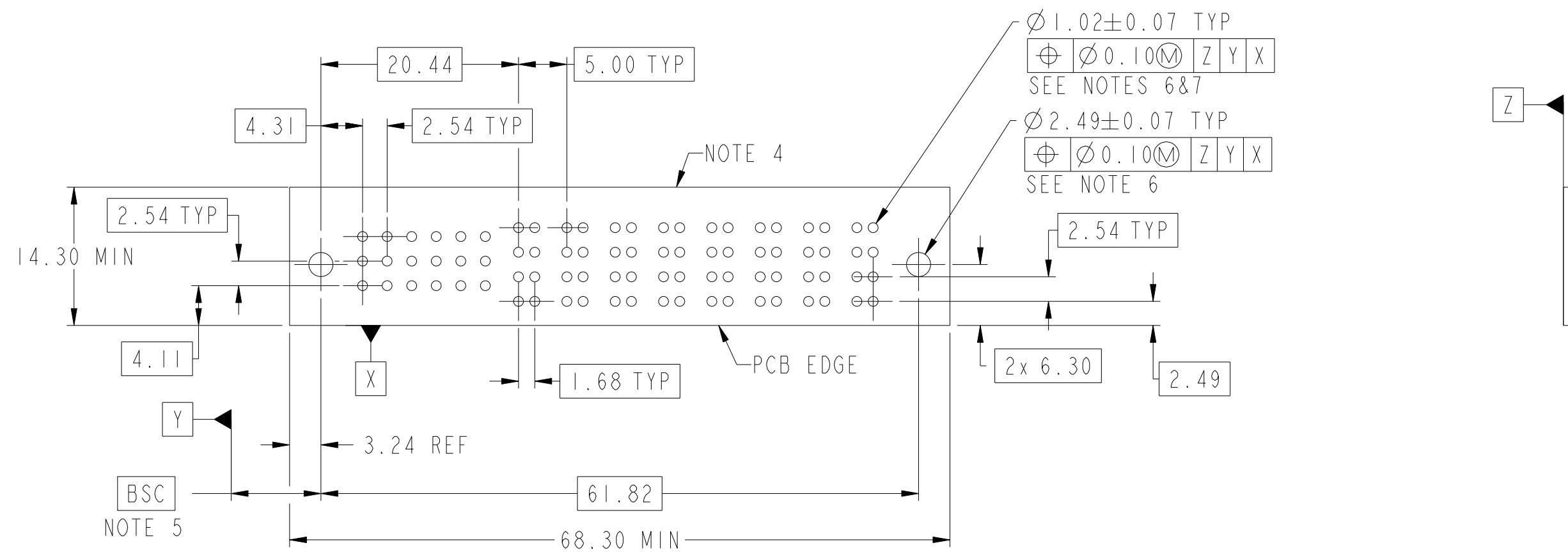
HIGH POWER

10127401-04HI400LF

C  
B  
A



CODE	DESCRIPTION
RC	RIGHT POWER CONTACT
LC	LEFT POWER CONTACT
E	SIGNAL CONTACT
F	SIGNAL CONTACT
G	SIGNAL CONTACT
HA	HOLD DOWN



spec ref	-	dr	Daniel Xiao	2014/07/02	projection	mm	size	A2	scale	2:1
tolerance std	ASME Y14.5	eng	De-Ming Lu	2015/12/29			ecn no	-	rel level	Released
TOLERANCES UNLESS OTHERWISE SPECIFIED		chr	Fancy Zhang	2015/12/29						
TOLERANCES UNLESS OTHERWISE SPECIFIED		appr	Pei-Ming Zheng	2015/12/29						
surface	linear	0.X	±0.5		<b>8HP+18S, SOLDER-TO-BOARD</b> R/A RECEPTACLE, PwrBlade ULTRA	dwg no <b>10127401-04HI400</b>	rev <b>A</b>	Product - Customer Drw		
ASME Y14.5	angular	0°	±2°					cat. no.	-	sheet 2 of 3

PDS: Rev :A

STATUS:Released

Printed: Jan 06, 2016



Copyright FCI.

PRODUCT NUMBER

10127401-04H1400LF

NOTES:

- ①. "FCI", PART NUMBER AND DATE CODE TO BE MARKED ON THIS SURFACE.  
THE P/N CAN BE OMITTED IF THERE IS NOT ENOUGH SPACE ON THIS SURFACE.
2. MATERIALS:  
HOUSING: GLASS FILLED WITH HIGH TEMP POLYAMIDE, UL94V-0.  
POWER CONTACTS: COPPER ALLOY.  
SIGNAL CONTACTS: COPPER ALLOY.  
HOLD DOWN: COPPER ALLOY.
3. PLATING SPECIFICATION: FCI 10135186.
- ④. DENOTES CONNECTOR KEEP OUT ZONE.
- ⑤. DATUM AND BASIC DIMENSION ARE ESTABLISHED BY CUSTOMER.
- ⑥. ALL HOLE DIAMETERS ARE FINISHED HOLE SIZES.
- ⑦. 1.150±0.025mm DRILLED HOLE PLATED WITH 7.62µm MIN Sn OVER  
25.4µm-76.2µm Cu PLATING TO ACHIEVE A 1.02±0.07mm FINISHED HOLE.
8. PRODUCT SPECIFICATION: FCI GS-12-1176.  
APPLICATION SPECIFICATION: FCI GS-20-0389.  
PRODUCT PACKAGE SPECIFICATION: FCI GS-14-2354.
- ⑨. THE VOID CORING BETWEEN POWER MODULES, SIGNAL MODULES AND END MODULES ARE  
OPTIONAL AND THE SHAPE MAY BE DIFFERENT TO OPTIMIZE THE MOLDING  
PROCESS. THE VOID CORING WILL NOT EFFECT THE PRODUCT FUNCTION.



Copyright FCI.

spec ref	-	dr	Daniel Xiao	2014/07/02	projection	mm	size	A2	scale	2:1
tolerance std	-	eng	De-Ming Lu	2015/12/29			ecn no	-	rel level	Released
ASME Y14.5	TOLERANCES UNLESS OTHERWISE SPECIFIED	chr	Fancy Zhang	2015/12/29						
		appr	Pei-Ming Zheng	2015/12/29						
surface	✓	product family	PwrBlade ULTRA		title	8HP+18S, SOLDER-TO-BOARD		dwg no	10127401-04H1400	
ASME Y14.5	linear	www.fci.com	cat. no.		R/A RECEPTACLE, PwrBlade ULTRA		rev	A		sheet 3 of 3
	angular							Product - Customer Drw		