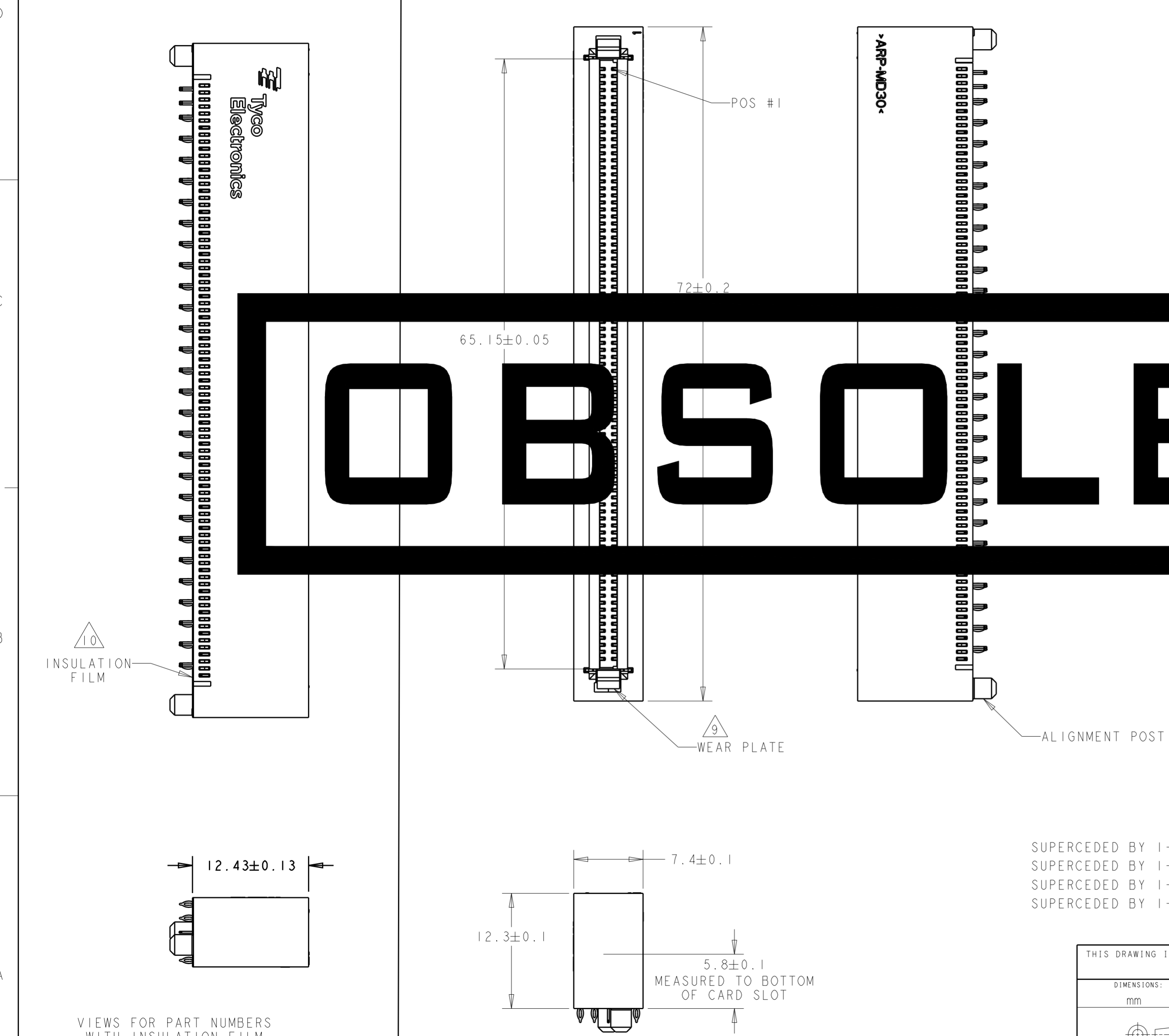


LOC	DIST	REVISIONS			
P	LTR	DESCRIPTION	DATE	DWN	APVD
CC	00	C	REVISED PER ECR-12-009949	rev.date.1	F.L F.Y



- 1 PCB HOLE DIMENSIONS:  
 DRILLED HOLE = 0.64 ± 0.02 mm  
 FINISHED HOLE = 0.55 mm REF  
 Cu THICKNESS = 25-50 um WITH EITHER  
 PLATING THICKNESS:  
 HASL Sn Pb = 4-10 um OR  
 IMMERSION Sn = MIN 0.5 um OR  
 OSP = 0.2-0.5 um OR  
 IMMERSION Au/Ni = 0.5-1.2 um Au OVER 3.0-7.0 um Ni OR  
 IMMERSION Ag = 0.1 um MIN
- 2 MATERIAL:  
 HOUSING- LCP, 94V-0 RATED, COLOR- BLACK  
 CONTACTS- COPPER ALLOY  
 WEAR PLATE- STAINLESS STEEL  
 INSULATION FILM- MYLAR
- 3 FINISH- MATING AREA- 0.76 um MIN GOLD OR  
 0.64 um MIN PALLADIUM-NICKEL OVER 1.27um MIN NICKEL  
 COMPLIANT PIN AREA- 0.5 um BRIGHT TIN OVER 1.27 um
- 4 CONNECTOR MARKED WITH PART NUMBER AND DATE OF MANUFACTURE AND CODE.
- 5 DATE OF MANUFACTURE TO BE ESTABLISHED BY THE MANUFACTURER
- 6 CONTACT AREA LUBRICATED WITH BELLCORE APPROVED LUBRICANT USING TECHNICAL REFERENCE GR-1270-100000 ISSUE 1 NOVEMBER 1997
- 7 REFER TO THE CONNECTOR APPLICATION SPECIFICATION 114-13180 FOR SPECIFIC INFORMATION.
- 8 FINISH- MATING AREA- 0.76 um MIN GOLD OR 0.64 um MIN PALLADIUM-NICKEL OVER 1.27 um MIN NICKEL COMPLIANT PIN AREA- 0.5 um BRIGHT TIN OVER 1.27 um
- 9 WEAR PLATE EXTENDS FROM TOP OF CONNECTOR TO BOTTOM OF SLOT AND IS USED TO ELIMINATE WEAR OF THE HOUSING CAUSED BY THE EDGE OF THE PCB CARD.
- 10 INSULATION FILM USED WHEN ADDITIONAL INSULATION SPACING IS NEEDED BETWEEN PCB TRACES AND CONTACTS.

OBSOLETE

SUPERCEDED BY 1-1469820-4  
 SUPERCEDED BY 1-1469820-3  
 SUPERCEDED BY 1-1469820-2  
 SUPERCEDED BY 1-1469820-1

INSULATION FILM	FINISH	WEAR PLATE	ALIGNMENT POSTS	PART NUMBER
YES	8	YES	YES	2-1469820-4
YES	8	YES	NO	2-1469820-3
YES	3	YES	YES	2-1469820-2
YES	3	YES	NO	2-1469820-1
NO	8	YES	YES	1-1469820-4
NO	8	YES	NO	1-1469820-3
NO	3	YES	YES	1-1469820-2
NO	3	YES	NO	1-1469820-1
NO	8	NO	YES	1469820-4
NO	8	NO	NO	1469820-3
NO	3	NO	YES	1469820-2
NO	3	NO	NO	1469820-1

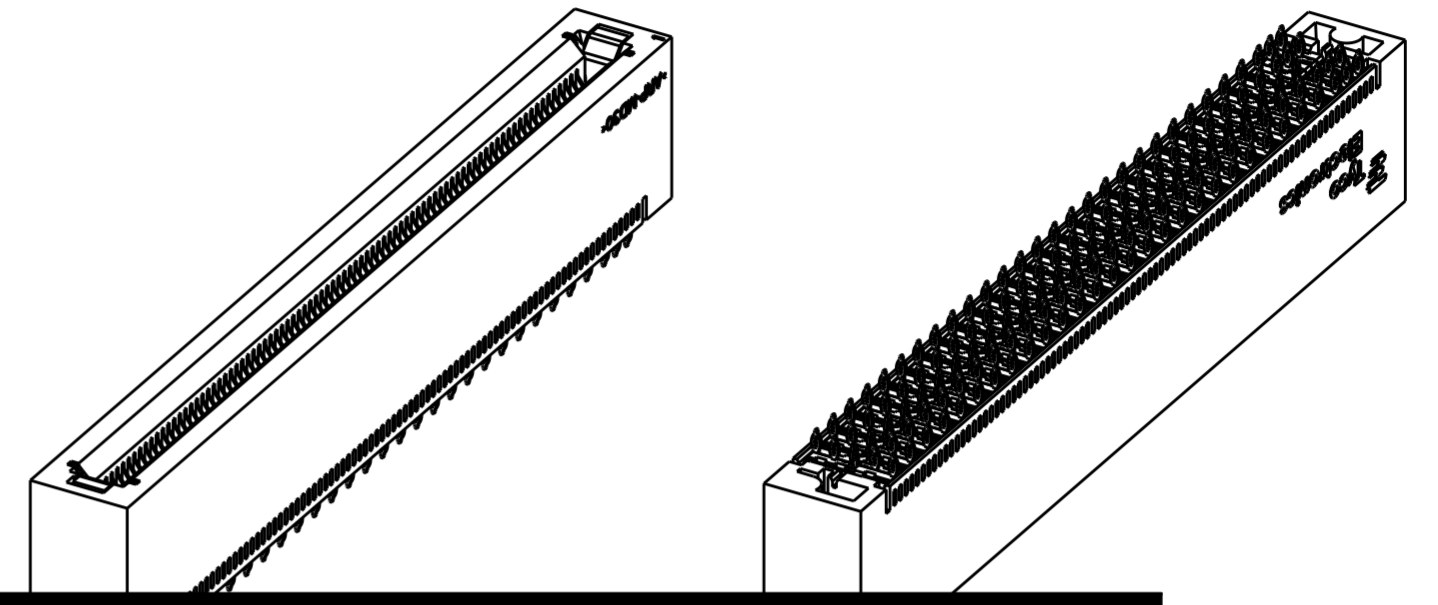
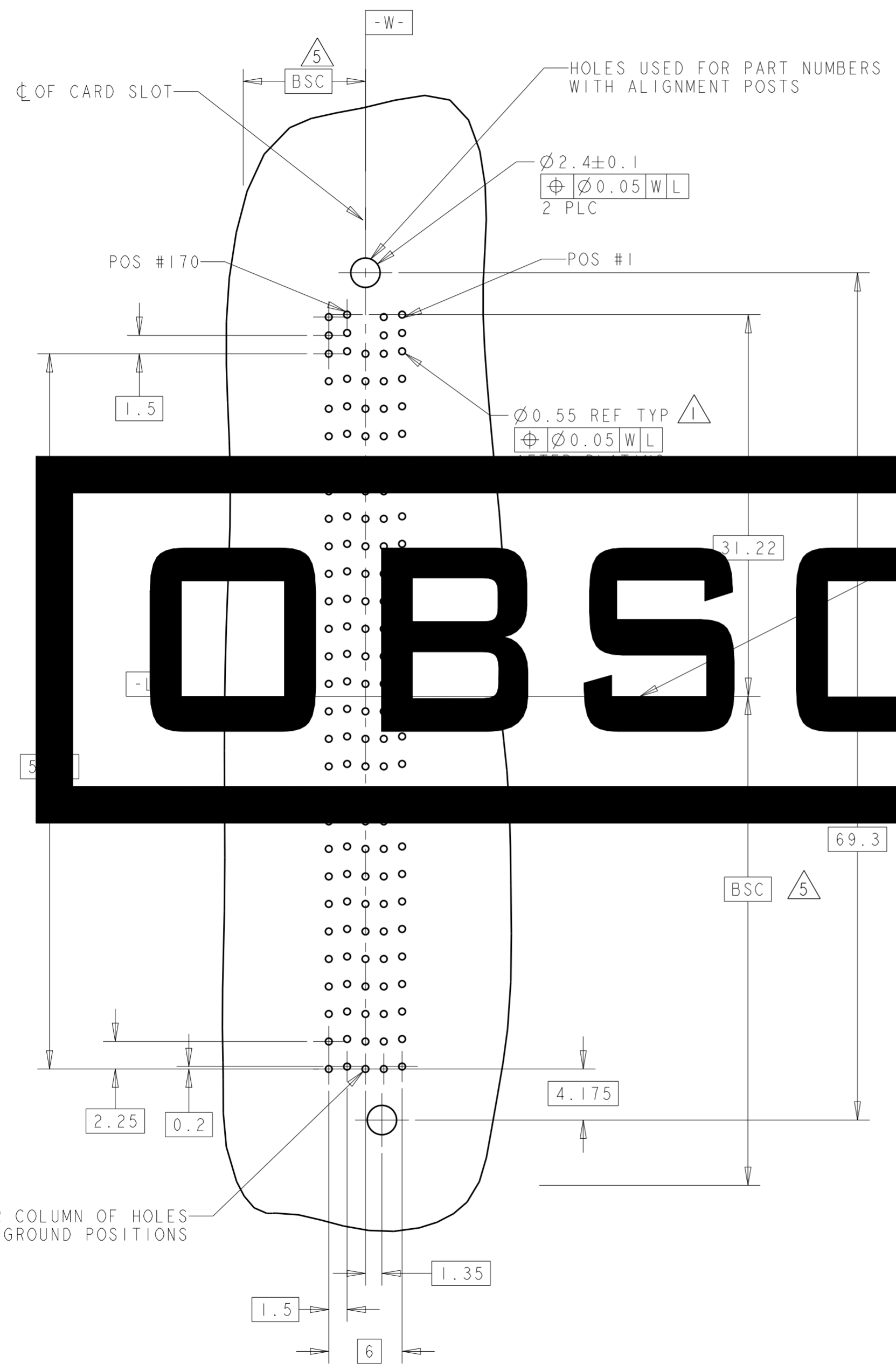
VIEWS FOR PART NUMBERS WITH INSULATION FILM  
 2-1469820-1 THRU 2-1469820-4

THIS DRAWING IS A CONTROLLED DOCUMENT.

DWN: D. SZCZESNY	31MAR06	<b>STE</b> TE Connectivity	
CHK: -	-		
APVD: -	-	NAME: CARD EDGE CONNECTOR, VERTICAL MICRO TCA	
PRODUCT SPEC: 108-2254	APPLICATION SPEC: 114-13180	SIZE: A2	CAGE CODE: 00779
MATERIAL: -	FINISH: -	DRAWING NO: C-1469820	RESTRICTED TO: -
CUSTOMER DRAWING		SCALE: 3:1	SHEET 1 OF 2

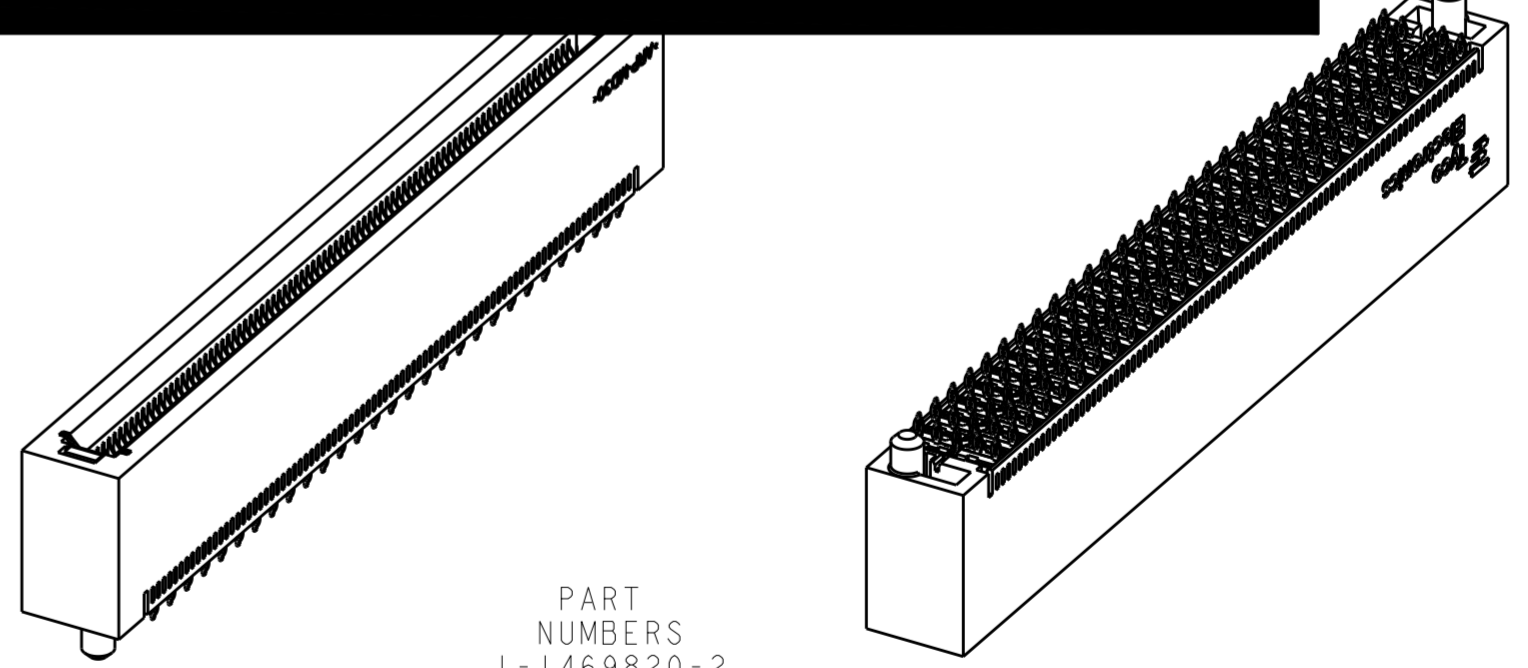
THIS DRAWING IS UNPUBLISHED. RELEASED FOR PUBLICATION 20  
 © COPYRIGHT 20 BY - ALL RIGHTS RESERVED.

LOC	DIST	REVISIONS					
CC	00	P	LTR	DESCRIPTION	DATE	DWN	APVD
		-		SEE SHEET 1			



**OBSOLETE**

PART NUMBERS  
 1-1469820-3  
 2-1469820-1  
 2-1469820-3  
 WITHOUT POSTS



PART NUMBERS  
 1-1469820-2  
 1-1469820-4  
 2-1469820-2  
 2-1469820-4  
 WITH POSTS

CENTER COLUMN OF HOLES ARE GROUND POSITIONS

THIS DRAWING IS A CONTROLLED DOCUMENT.		DWN D. SZCZESNY	31MAR06	TE Connectivity
DIMENSIONS: mm		CHK -	APVD -	
TOLERANCES UNLESS OTHERWISE SPECIFIED: 0 PLC ±0.1 1 PLC ±0.1 2 PLC ±0.13 3 PLC ±0.013 4 PLC ±0.0001 ANGLES ± FINISH		PRODUCT SPEC 108-2254 APPLICATION SPEC 114-13180		SIZE A200779
MATERIAL		WEIGHT -		DRAWING NO C-1469820
		CUSTOMER DRAWING		RESTRICTED TO -
		SCALE 2:1		SHEET 2 OF 2 REV C