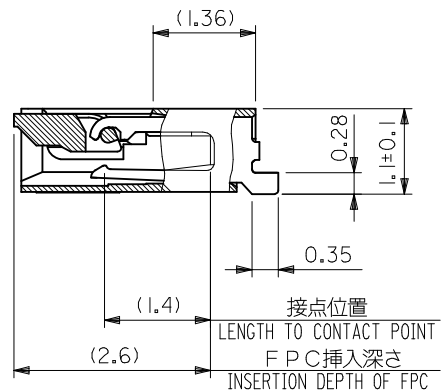
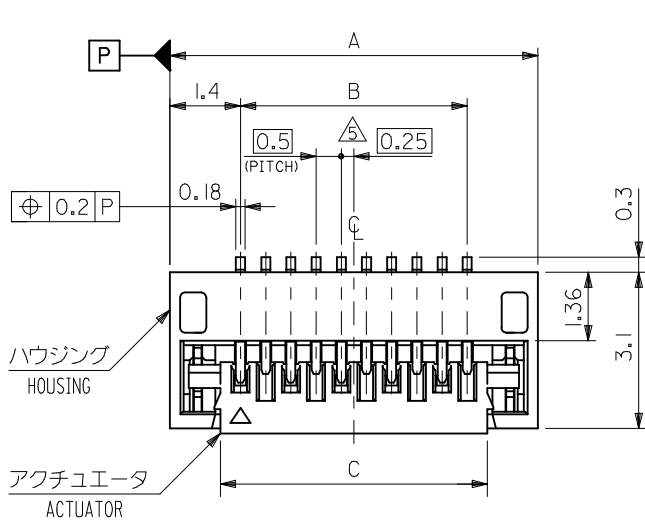
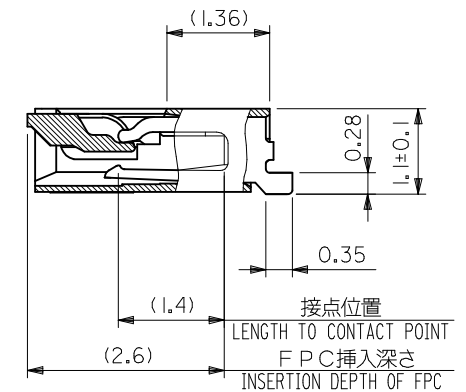


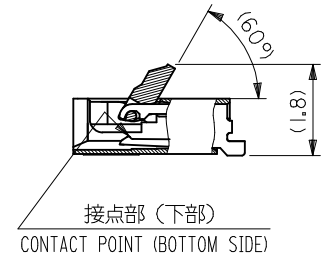
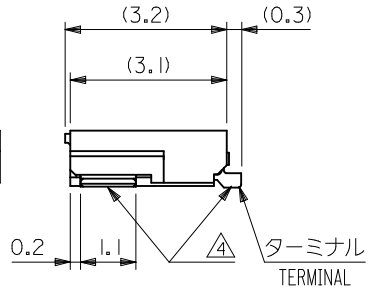
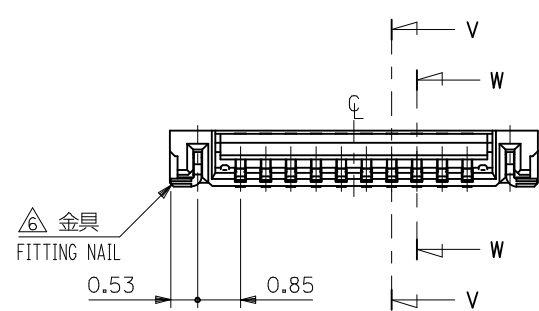
10 9 8 7 6 5 4 3 2 1



断面 V-V 奇数極 (ODD CIRCUIT)
SECT. V-V (Scale 15:1)



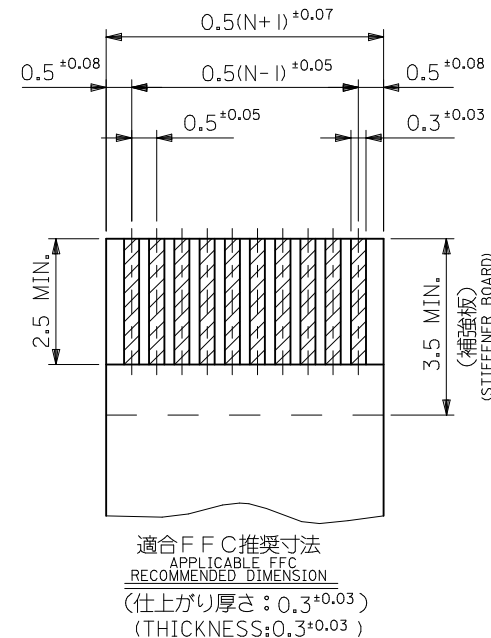
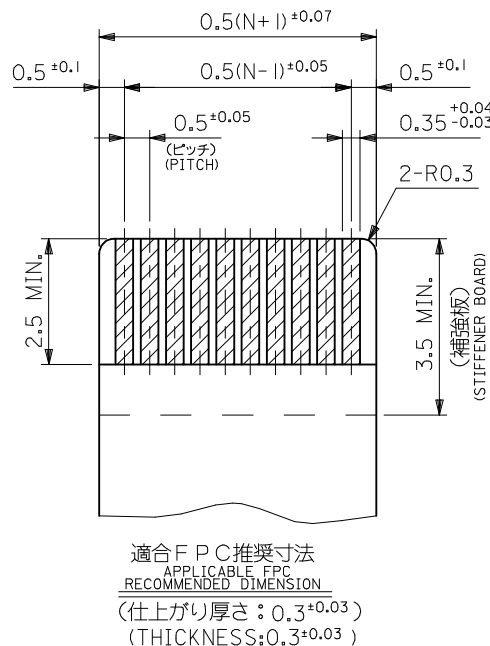
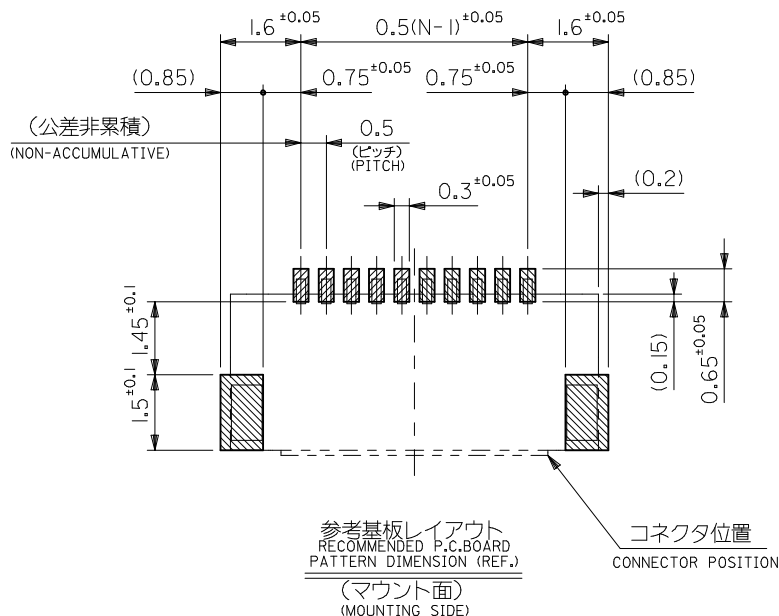
断面 W-W 偶数極 (EVEN CIRCUIT)
SECT. W-W (Scale 15:1)



(アクチュエータが開いた状態)
(WHEN ACTUATOR IS OPENED)

9.3	8.5	11.3	51441-1871	51441-1829	18
8.8	8.0	10.8	51441-1771	51441-1729	17
8.3	7.5	10.3	51441-1671	51441-1629	16
6.3	5.5	8.3	51441-1271	51441-1229	12
5.8	5.0	7.8	51441-1171	51441-1129	11
5.3	4.5	7.3	51441-1071	51441-1029	10
4.8	4.0	6.8	51441-0971	51441-0929	9
4.3	3.5	6.3	51441-0871	51441-0829	8
3.8	3.0	5.8	51441-0771	51441-0729	7
C	B	A	EMBOSSED TAPE	製品番号	極数
			ORDER No. オーダー番号	MATERIAL No.	CIRCUIT

REVISED EC NO: J2008-4048 DRWN: MABEI 2008/06/13 CHKD: THARUYAMA 2008/06/16 APPR: NUKITA 2008/06/16	GENERAL TOLERANCES (UNLESS SPECIFIED)		DIMENSION STYLE MM ONLY		SCALE 10:1		DESIGN UNITS METRIC		MODEL NO. 51441-**-29	
	10 UNDER	±0.2	DRAWN BY M. NAGATA	DATE 2004/03/23	TITLE 0.5 FPC CONN. (E/O) HSG ASSY BTM CONT(H=1.1) GOLD PLATING -LEAD FREE-					
	10 OVER 30 UNDER	±0.25	CHECKED BY K. TOJO	DATE 2004/03/23	MOLEX INCORPORATED					
	30 OVER	±0.3	APPROVED BY M. SASAO	DATE 2004/03/23	DOCUMENT NO. SD-51441-009					
	ANGULAR ±3 °	DRAFT WHERE APPLICABLE MUST REMAIN WITHIN DIMENSIONS		MATERIAL NO. SEE TABLE		SHEET NO. 1 OF 2		THIS DRAWING CONTAINS INFORMATION THAT IS PROPRIETARY TO MOLEX INCORPORATED AND SHOULD NOT BE USED WITHOUT WRITTEN PERMISSION		



注記 NOTES

1. 使用材料 MATERIAL

ハウジング : 液晶ポリマー ガラス充填, UL94V-0 (ベージュ)
HOUSING LIQUID CRYSTAL POLYMER GLASS FILLED, UL94V-0(BEIGE)
アクチュエータ: ポリフェニレンサルファイド ガラス充填, UL94V-0 (黒)
ACTUATOR POLYPHENYLENE SULFIDE GLASS FILLED, UL94V-0(BLACK)
ターミナル : リン青銅 (t=0.18)
TERMINAL PHOSPOR BRONZE
金具 : リン青銅 (t=0.15)
FITTING NAIL PHOSPOR BRONZE

3. エンボステープ梱包時は、アクチュエータが閉じた状態とする。

IN THE PACKAGE, ACTUATOR OF PART NO.51441-**-11 SHOULD BE CLOSED.

△ソルダータール及び金具の平坦度は、0.1以下。

SOLDER TAIL AND FITTING NAIL COPLANARITY TO BE 0.1 MAXIMUM.

△偶数極に適用。

APPLY FOR EVEN CIRCUIT.

△パターンはくり止め用金具

FITTING NAIL FOR PREVENTION OF PEELING OF PCB PATTERN.

7. 本製品は51441-**-21の鉛フリー品である。

THIS PRODUCT IS LEAD FREE OF 51441-**-21

FPC/FFCについて:

打抜き方向は導体側から補強板側を推奨いたします。

導体部については軟銅箔35マイクロメートルまたは50マイクロメートルを推奨いたします。

ABOUT FPC/FFC

RECOMMENDED PUNCHER DIRECTION : FROM CONDUCTOR SIDE TO STIFFENER FILM SIDE.

RECOMMENDED CONDUCTOR SPEC :

THICKNESS OF SOFT COPPER FOIL : 35 MICROMETER OR 50 MICROMETER

FPCについて:

補強フィルム材質はポリイミドを推奨します。

接着剤は熱硬化接着剤を推奨します。

ABOUT FPC

RECOMMENDED MATERIAL :

STIFFENER FILM : POLYIMIDE

BONDING AGENT : THERMOSETTING BONDING AGENT

2. メッキ仕様 PLATING

ターミナル TERMINAL
ニッケル下地金メッキ
GOLD OVER NICKEL PLATING

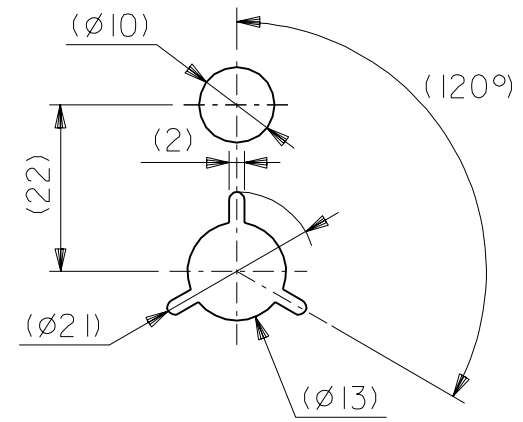
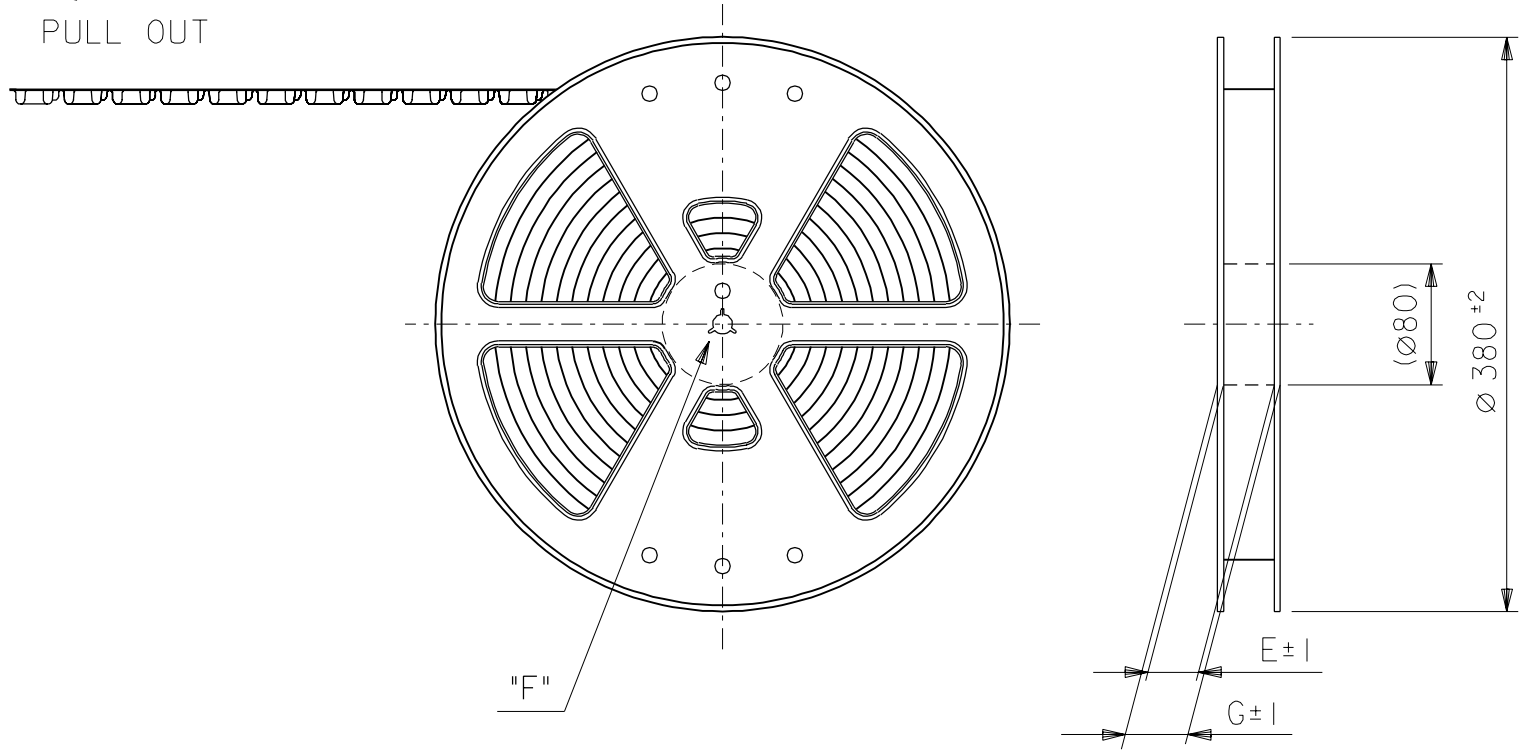
金具 FITTING NAIL

ニッケル下地鍍メッキ
TIN OVER NICKEL PLATING

REVISED EC NO: J2008-4048 DRWN: MWABEI 2008/06/13 CHKD: THARUYAMA 2008/06/16 APPR: NUKITA 2008/06/16	GENERAL TOLERANCES (UNLESS SPECIFIED)		DIMENSION STYLE MM ONLY		51441-**-29		MODEL NO.	
	10 UNDER ±0.2		DRAWN BY DATE M. NAGATA 2004/03/23		SCALE 10:1	DESIGN UNITS METRIC	THIRD ANGLE PROJECTION	
	10 OVER 30 UNDER ±0.25		CHECKED BY DATE K. TOJO 2004/03/23		TITLE 0.5 FPC CONN. (E/O) HSG ASSY BTM CONT(H=1.1) GOLD PLATING -LEAD FREE-			
	30 OVER ±0.3		APPROVED BY DATE M. SASAO 2004/03/23		MOLEX INCORPORATED			
ANGULAR ±3 °		MATERIAL NO. SEE SHEET 1		DOCUMENT NO. SD-51441-009		SHEET NO. 2 OF 2		
DRAFT WHERE APPLICABLE MUST REMAIN WITHIN DIMENSIONS		SIZE A3		THIS DRAWING CONTAINS INFORMATION THAT IS PROPRIETARY TO MOLEX INCORPORATED AND SHOULD NOT BE USED WITHOUT WRITTEN PERMISSION				

DWG. NO.
SD-51441-010

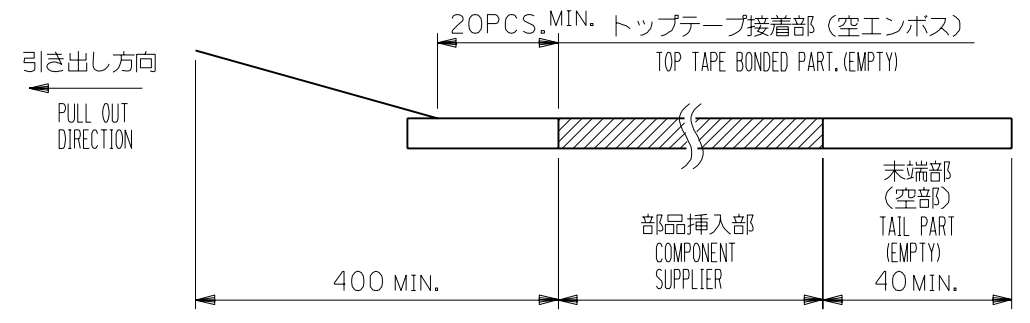
引き出し方向
PULL OUT



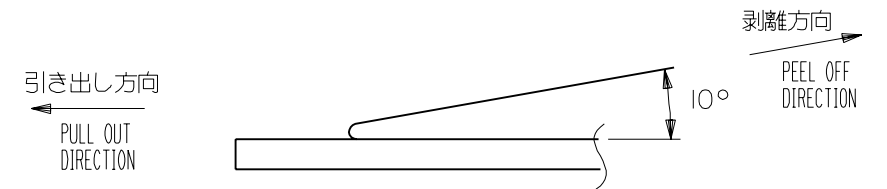
DETAIL "F"

注記 NOTES

- 製品詳細寸法については、図面SD-51441-003を参照下さい。
RE DETAILED DIMENSION, SEE SD-51441-003.
- 梱包数量：3000個/リール
NUMBER OF CONNECTORS : 3000PCS/REEL
- リードテープ長さ LEAD TAPE LENGTH



- トップテープの剥離強度：0.1~1.3N(10~130gf)
(剥離方向は下図参照)
尚、本規格値は出荷時に適用。(但し、輸送時に剥離が発生しないこと。)
PEELING OFF FORCE OF TOP TAPE : 0.1~1.3N(10~130gf)
(PEELING DIRECTION AS SHOWN IN FOLLOWING FIG,)
THIS REQUIREMENT SHOULD BE APPLIED AT SHIPMENT.
PEEL OFF SHOULD NOT BE ALLOWED, DURING TRANSPORTATION.



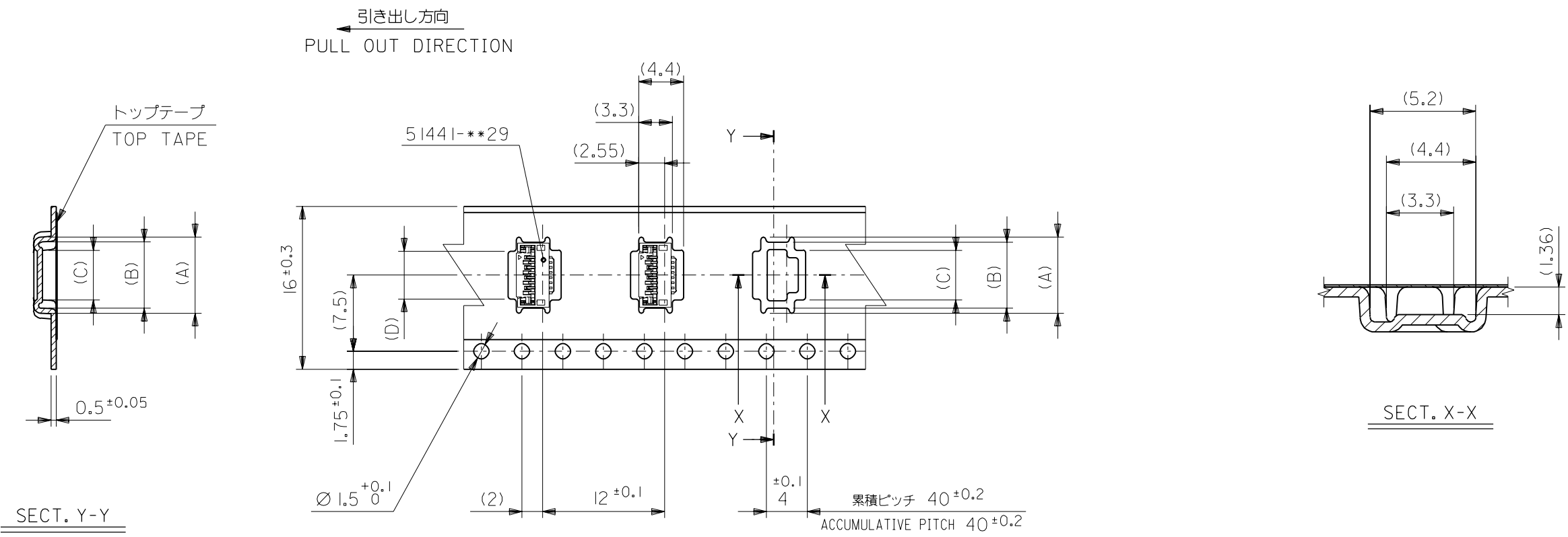
- 材料 (MATERIAL)
キャリアテープ (CARRIER TAPE) : ポリプロピレン (POLYPROPYLENE)
トップテープ (TOP TAPE) : PET, PE, PEF
リール (REEL) : ポリスチレン (PS) <リサイクル材を含む>
POLYSTYRENE(PS) <RECYCLE MATERIAL CONTAINED>
- 本製品は51441-**-91の鉛フリー品である。
THIS PRODUCT IS LEAD FREE OF 51441-**-91

DO NOT SCALE DRAWING

EC NO. DRWN: CHK: APPR:		EC NO. DRWN: CHK: APPR:		EC NO. DRWN: CHK: APPR:		EC NO. DRWN: CHK: APPR:		RELEASED '04/03/23 EC NO. J2004-3278 DRWN: M.NAGATA CHK: K.TOJO APPR: M.SASAO		MATERIAL 材料 注記参照 SEE NOTES		GENERAL TOLERANCES: (UNLESS SPECIFIED) 一般公差		51441-**-91		MODEL No.		DIMENSIONS:		SHT		REV	
										FINISH 仕上げ //		10 UNDER 未満 ±0.2		SCALE —#—		DESIGN UNITS <input checked="" type="checkbox"/> mm <input type="checkbox"/> INCH		<input type="checkbox"/> mm <input type="checkbox"/> INCH		<input type="checkbox"/> mm <input checked="" type="checkbox"/> mm ONLY		REVISION ON CAD ONLY	
										WIRE RANGE 適用電線範囲 //		10 OVER 30 UNDER 以上 未満 ±0.25		DRAWN BY & DATE M.NAGATA '04/03/23		THIRD ANGLE PROJECTION		TITLE: Embstp Pkg FOR 0.5 FPC Conn (E/O) Btm Cont GOLD PLATING (Hgt=1.1mm) -LEAD FREE-					
										INS. RANGE 被覆外径 //		30 OVER 以上 ±0.3		APPROVED BY & DATE M.SASAO '04/03/23		MATERIAL NO. SEE CHART		DRAWING NO. SD-51441-010		SHEET NO. 1 OF 3		SIZE B	
												ANGLE 角度 ±3°		CAD FILENAME SD-51441-010.S01		THIS DRAWING CONTAINS INFORMATION THAT IS PROPRIETARY TO MOLEX INCORPORATED AND SHOULD NOT BE USED WITHOUT WRITTEN PERMISSION.							

SD-51441-010.S01

DWG. NO.
SD-51441-010



16mm幅キャリアテープ
16mm WIDTH CARRIER TAPE

16	21.4	17.4	4.7	4.89	6.5	7.5	51441-0871	8
			4.2	4.39	6.0	7.0	51441-0771	7
キャリアテープ幅 CARRIER TAPE WIDTH	G	E	(D)	(C)	(B)	(A)	MATERIAL NO.	種数 CKT.

51441-***71		MODEL No.	DIMENSIONS:		SHT	REV
SCALE	DESIGN UNITS	THIRD ANGLE PROJECTION		<input type="checkbox"/> mm <input type="checkbox"/> INCH	<input type="checkbox"/> mm <input checked="" type="checkbox"/> ONLY	REVISE ON CAD ONLY
DRAWN BY & DATE M.NAGATA '04/03/23		TITLE: Embstp Pkg FOR 0.5 FPC Conn (E/O) Btm Cont GOLD PLATING (Hgt=1.1mm) -LEAD FREE-				
CHECKED BY & DATE K.TOJO '04/03/23		MOLEX INCORPORATED				
APPROVED BY & DATE M.SASAO '04/03/23		CAD FILENAME	MATERIAL NO.	DRAWING NO.	SHEET NO.	
SD-51441-010.S02		SEE CHART	SD-51441-010	2 OF 3		

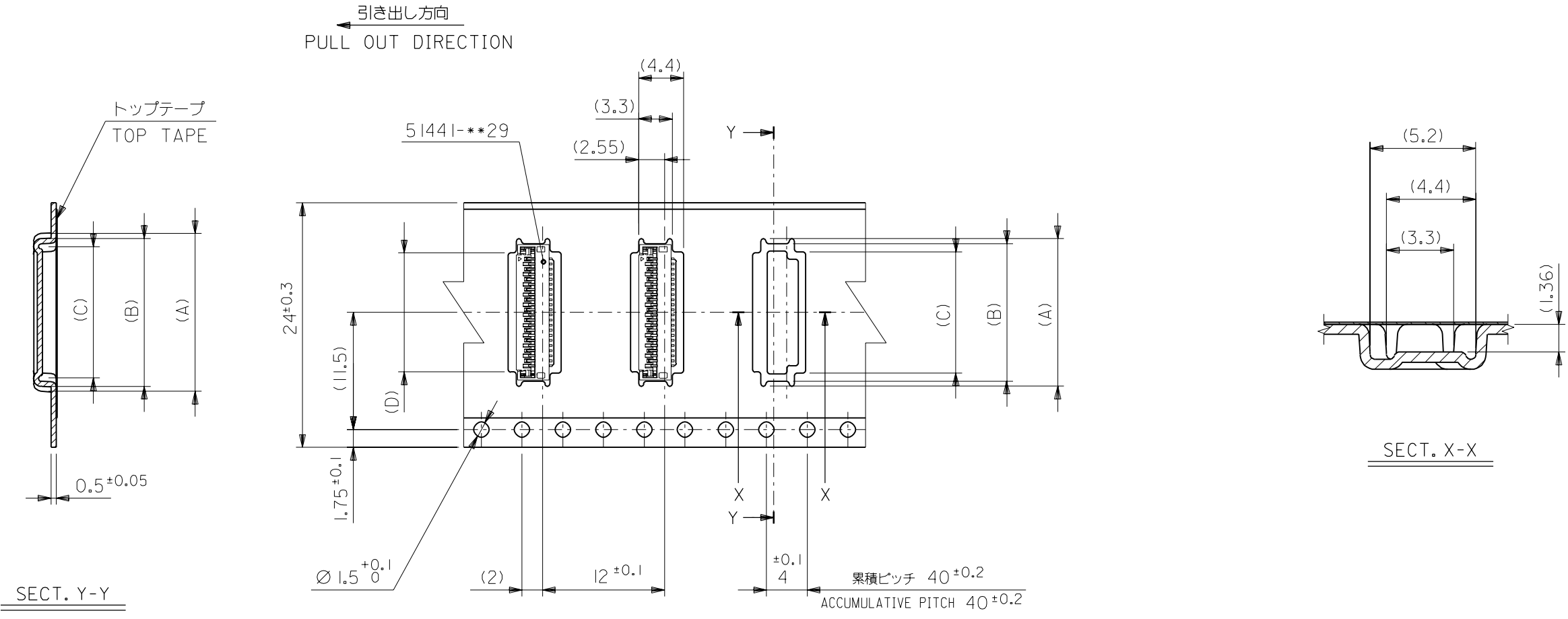
EC NO. DRWN: CHK: APPR:	EC NO. DRWN: CHK: APPR:	EC NO. DRWN: CHK: APPR:	EC NO. DRWN: CHK: APPR:	RELEASED '04/03/23 EC NO. J2004-3278 DRWN: M.NAGATA CHK: K.TOJO APPR: M.SASAO	DESCRIPTION	MATERIAL 材料	GENERAL TOLERANCES: (UNLESS SPECIFIED) 一般公差
					注記参照 SEE NOTES		10 UNDER 未満 ±0.2
							10 OVER 以上 30 UNDER 未満 ±0.25
							30 OVER 以上 ±0.3
							ANGLE 角度 ±3°

DO NOT SCALE DRAWING

THIS DRAWING CONTAINS INFORMATION THAT IS PROPRIETARY TO MOLEX INCORPORATED AND SHOULD NOT BE USED WITHOUT WRITTEN PERMISSION.

SD-51441-010.S04

DWG. NO.
SD-51441-010



24mm幅キャリアテープ
24mm WIDTH CARRIER TAPE

24	29.4	25.4	9.7	9.89	11.5	12.5	51441-1871	18
			9.2	9.39	11.0	12.0	51441-1771	17
			8.7	8.89	10.5	11.5	51441-1671	16
			6.7	6.89	8.5	9.5	51441-1271	12
			6.2	6.39	8.0	9.0	51441-1171	11
			5.7	5.89	7.5	8.5	51441-1071	10
5.2	5.39	7.0	8.0	51441-0971	9			
キャリアテープ幅 CARRIER TAPE WIDTH	G	E	(D)	(C)	(B)	(A)	MATERIAL NO.	種数 CKT.

DO NOT SCALE DRAWING

EC NO. DRWN: CHK: APPR:	EC NO. DRWN: CHK: APPR:	EC NO. DRWN: CHK: APPR:	EC NO. DRWN: CHK: APPR:	EC NO. DRWN: CHK: APPR:	RELEASED '04/03/23 EC NO. J2004-3278 DRWN: M.NAGATA CHK: K.TOJO APPR: M.SASAO	DESCRIPTION MATERIAL 材料 注記参照 SEE NOTES FINISH 仕上げ // WIRE RANGE 適用電線範囲 // INS. RANGE 被覆外径 //	GENERAL TOLERANCES: (UNLESS SPECIFIED) 一般公差 10 UNDER 未満 ±0.2 10 OVER 以上 30 UNDER 未満 ±0.25 30 OVER 以上 ±0.3 ANGLE 角度 ±3°	SCALE # DESIGN UNITS <input checked="" type="checkbox"/> mm <input type="checkbox"/> INCH DRAWN BY & DATE M.NAGATA '04/03/23 CHECKED BY & DATE K.TOJO '04/03/23 APPROVED BY & DATE M.SASAO '04/03/23 CAD FILENAME SD-51441-010.S03	MODEL No. DIMENSIONS: <input type="checkbox"/> mm <input type="checkbox"/> INCH <input checked="" type="checkbox"/> mm ONLY THIRD ANGLE PROJECTION TITLE: Embstp Pkg FOR 0.5 FPC Conn (E/O) Btm Cont GOLD PLATING (Hgt=1.1mm) -LEAD FREE- MATERIAL NO. SEE CHART DRAWING NO. SD-51441-010 SHEET NO. 3 OF 3	SHT REV REVISE ON CAD ONLY
					0					

THIS DRAWING CONTAINS INFORMATION THAT IS PROPRIETARY TO MOLEX INCORPORATED AND SHOULD NOT BE USED WITHOUT WRITTEN PERMISSION.

SD-51441-010.S03