

THIS DRAWING IS UNPUBLISHED. RELEASED FOR PUBLICATION  
 © COPYRIGHT - By - ALL RIGHTS RESERVED.

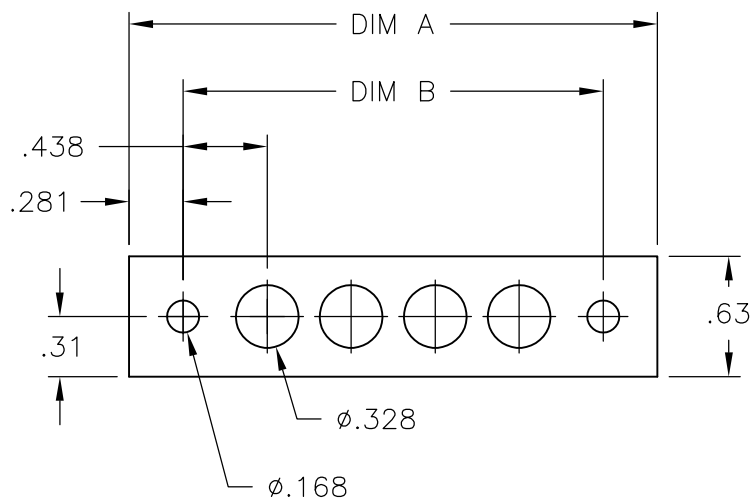
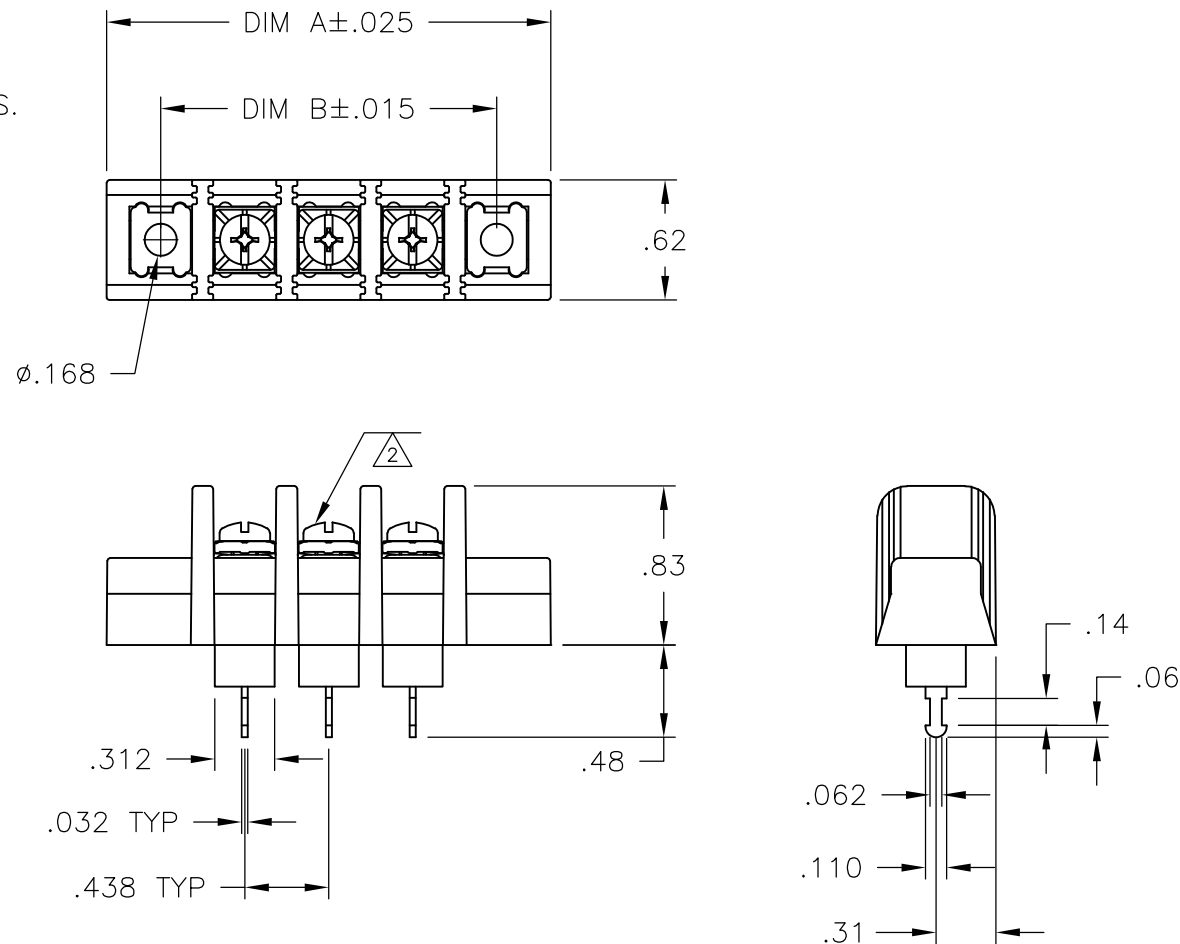
|     |      |           |     |                           |         |     |      |
|-----|------|-----------|-----|---------------------------|---------|-----|------|
| LOC | DIST | REVISIONS |     |                           |         |     |      |
| FT  | 0    | P         | LTR | DESCRIPTION               | DATE    | DWN | APVD |
|     |      |           | B   | REVISED PER ECO-11-023039 | 21FEB12 | KH  | MS   |

**MECHANICAL:**  
 HOUSING: THERMOPLASTIC, UL94V-0, BLACK.  
 TERMINALS: BRASS, BRIGHT TIN PLATE.  
 SCREWS: 6-32, STEEL, PLATED .0002 MIN ZINC W/  
 CLEAR CHROMATE COATING.

**ELECTRICAL:**  
 MAXIMUM CURRENT: 20A.  
 OPERATING VOLTAGE: 600V  
 WIRE RANGE: 12-22 AWG

**ENVIRONMENTAL:**  
 OPERATING TEMP.: -60°C TO +105°C

- 1 NO BUSHINGS IN THE END CAVITIES.
- 2 ALL SCREWS BOTTOMED, TORQUE 2 TO 4 IN-LBS.



| DIM A  | NO. OF POS. | CATALOG NUMBER | PART NUMBER |
|--------|-------------|----------------|-------------|
| 11.937 | 25          | SSB7TG250102   | 2-1546976-5 |
| 11.500 | 24          | SSB7TG240102   | 2-1546976-4 |
| 11.062 | 23          | SSB7TG230102   | 2-1546976-3 |
| 10.625 | 22          | SSB7TG220102   | 2-1546976-2 |
| 10.187 | 21          | SSB7TG210102   | 2-1546976-1 |
| 9.750  | 20          | SSB7TG200102   | 2-1546976-0 |
| 9.312  | 19          | SSB7TG190102   | 1-1546976-9 |
| 8.875  | 18          | SSB7TG180102   | 1-1546976-8 |
| 8.437  | 17          | SSB7TG170102   | 1-1546976-7 |
| 8.000  | 16          | SSB7TG160102   | 1-1546976-6 |
| 7.562  | 15          | SSB7TG150102   | 1-1546976-5 |
| 7.125  | 14          | SSB7TG140102   | 1-1546976-4 |
| 6.687  | 13          | SSB7TG130102   | 1-1546976-3 |
| 6.250  | 12          | SSB7TG120102   | 1-1546976-2 |
| 5.812  | 11          | SSB7TG110102   | 1-1546976-1 |
| 5.375  | 10          | SSB7TG100102   | 1-1546976-0 |
| 4.937  | 9           | SSB7TG090102   | 1546976-9   |
| 4.500  | 8           | SSB7TG080102   | 1546976-8   |
| 4.062  | 7           | SSB7TG070102   | 1546976-7   |
| 3.625  | 6           | SSB7TF060102   | 8-1437416-5 |
| 3.625  | 6           | SSB7TG060102   | 1546976-6   |
| 3.187  | 5           | SSB7TG050102   | 1546976-5   |
| 2.750  | 4           | SSB7TG040102   | 1546976-4   |
| 2.312  | 3           | SSB7TG030102   | 1546976-3   |
| 1.875  | 2           | SSB7TG020102   | 1546976-2   |
| 1.437  | 1           | SSB7TG010102   | 1546976-1   |

|  |  |                         |                              |  |
|--|--|-------------------------|------------------------------|--|
| THIS DRAWING IS A CONTROLLED DOCUMENT. |  | DWN S SCHL GEL 11/17/06 | <b>STE</b> TE Connectivity   |  |
| DIMENSIONS: INCHES                     |  | CHK S YODER 11/17/06    |                              |  |
| TOLERANCES UNLESS OTHERWISE SPECIFIED: |  | APVD S YODER 11/17/06   | NAME SSB7TGXX0102            |  |
| 0 PLC ± -                              |  | PRODUCT SPEC            | SIZE                         |  |
| 1 PLC ± -                              |  | APPLICATION SPEC        | CAGE CODE                    |  |
| 2 PLC ± .02                            |  | WEIGHT -                | DRAWING NO                   |  |
| 3 PLC ± .010                           |  | CUSTOMER DRAWING        | RESTRICTED TO                |  |
| 4 PLC ± -                              |  |                         | A3 00779 C-8-1437416-5       |  |
| ANGLES ± 1°                            |  |                         | SCALE NTS SHEET 1 OF 1 REV B |  |
| FINISH -                               |  |                         |                              |  |