

## Han Q1/0-M/M with housing (HBMA, black)



Image is for illustration purposes only. Please refer to product description.

|                    |   |
|--------------------|---|
| Part number        | 09 12 001 2661  |
| Specification      | Han Q1/0-M/M with housing (HBMA, black)   |
| HARTING eCatalogue | <a href="https://b2b.harting.com/09120012661">https://b2b.harting.com/09120012661</a> |

### Identification

|                      |                          |
|----------------------|--------------------------|
| Category             | Connector sets           |
| Series               | Han <sup>®</sup> Q       |
| Identification       | 1/0 protected            |
| Type of hood/housing | Bulkhead mounted housing |

### Version

|                    |                         |
|--------------------|-------------------------|
| Termination method | Axial screw termination |
| Gender             | Male                    |
| Size               | 3 A                     |
| Number of contacts | 1                       |
| Locking type       | Single locking lever    |

|         |   |
|---------|---|
| Details | <p>The described connectors are connectors without breaking capacity (COC) according to IEC 61984 and must not be coupled or decoupled under electrical load during use as intended!</p> <p>Only cables with protection class 2 shall be used!</p> <p>The axial screw termination is suitable for fine stranded wires according to EN 60228 class 5. Using alternative cables have to be tested separately.</p> <p>For the assembly within bulkhead mounted housings the described installation conditions of the data and type sheets must be respected.</p> <p>For the connection of the conductor into the axial screw contact use hex key with A/F 4.</p> |
|---------|---|

### Technical characteristics

|                       |       |
|-----------------------|-------|
| Rated current         | 100 A |
| Rated voltage         | 400 V |
| Rated impulse voltage | 6 kV  |
| Pollution degree      | 3     |



Pushing Performance  
 Since 1945

## Technical characteristics

|                       |                     |
|-----------------------|---------------------|
| Insulation resistance | >10 <sup>10</sup> Ω |
| Contact resistance    | ≤0.3 mΩ             |
| Limiting temperature  | -40 ... +125 °C     |
| Mating cycles         | ≥500                |

## Material properties

|   |   |
|---|---|
| Material (insert)                         | Polycarbonate (PC)  |
| Colour (insert)                           | RAL 7032 (pebble grey)  |
| Material (contacts)                       | Copper alloy  |
| Surface (contacts)                        | Silver plated   |
| Material (hood/housing)                   | Zinc die-cast   |
| Surface (hood/housing)                    | Powder-coated   |
| Colour (hood/housing)                     | RAL 9005 (jet black)  |
| Material (seal)                           | NBR   |
| Material (locking)                        | Steel   |
| Surface (locking)                         | Zinc plated   |
| Material flammability class acc. to UL 94 | V-0   |
| RoHS                                      | compliant with exemption  |
| RoHS exemptions                           | 6(a) / 6(a)-I: Lead as an alloying element in steel for machining purposes and in galvanised steel containing up to 0,35 % lead by weight / Lead as an alloying element in steel for machining purposes containing up to 0,35 % lead by weight and in batch hot dip galvanised steel components containing up to 0,2 % lead by weight<br>6(c): Copper alloy containing up to 4 % lead by weight |
| ELV status                                | compliant with exemption  |
| China RoHS                                | 50  |
| REACH Annex XVII substances               | Not contained   |
| REACH ANNEX XIV substances                | Not contained   |
| REACH SVHC substances                     | Yes   |
| REACH SVHC substances                     | Potassium 1,1,2,2,3,3,4,4,4-nonafluorobutane-1-sulphonate<br>Lead   |
| ECHA SCIP number                          | 1e38d35d-d1be-4585-8e03-95faccd739bf  |
| California Proposition 65 substances      | Yes   |
| California Proposition 65 substances      | Lead<br>Nickel<br>Naphthalene   |
| Fire protection on railway vehicles       | EN 45545-2 (2020-08)  |

## Material properties

|                                    |              |
|------------------------------------|--------------|
| Requirement set with Hazard Levels | R22 (HL 1-3) |
|                                    | R23 (HL 1-3) |

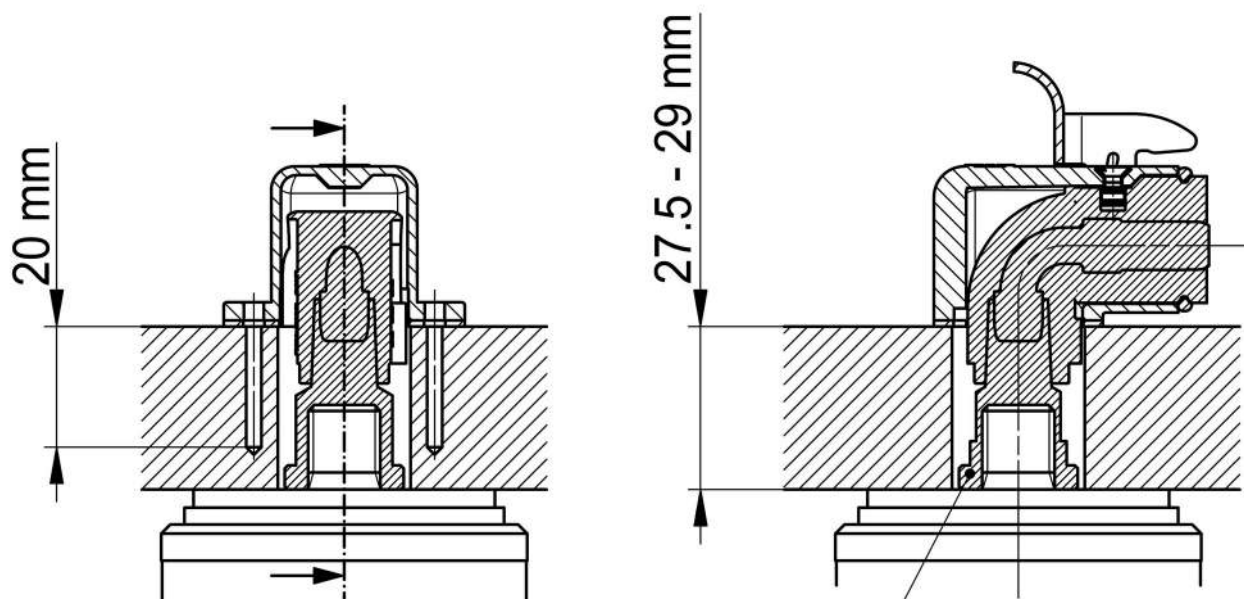
## Specifications and approvals

|                |             |
|----------------|-------------|
| Specifications | IEC 60664-1 |
|                | IEC 61984   |

## Commercial data

|                                |   |
|--------------------------------|---|
| Packaging size                 | 1   |
| Net weight                     | 95.9 g  |
| Country of origin              | Germany   |
| European customs tariff number | 85366990  |
| GTIN                           | 5713140189706                                       |
| eCl@ss                         | 27440114 Rectangular connector (for field assembly) |

## Maximum drilling depth and insulation spacing



Female contact M12