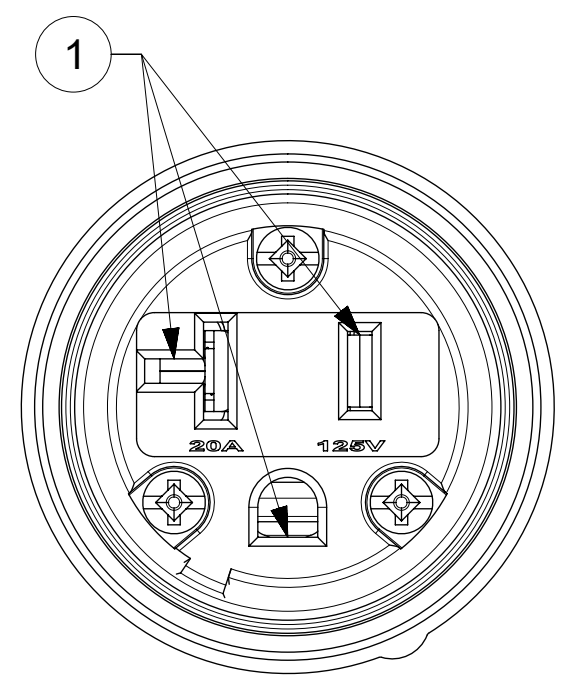
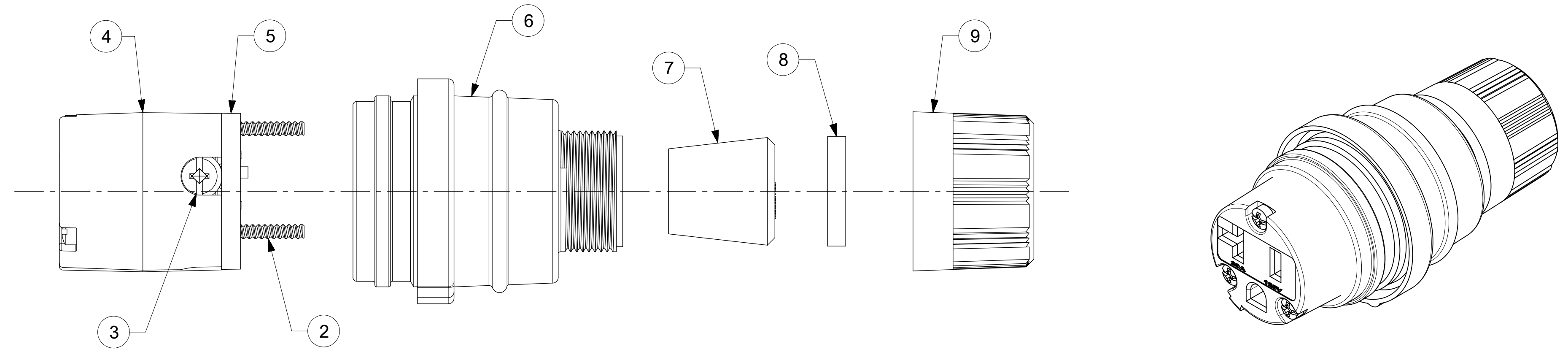
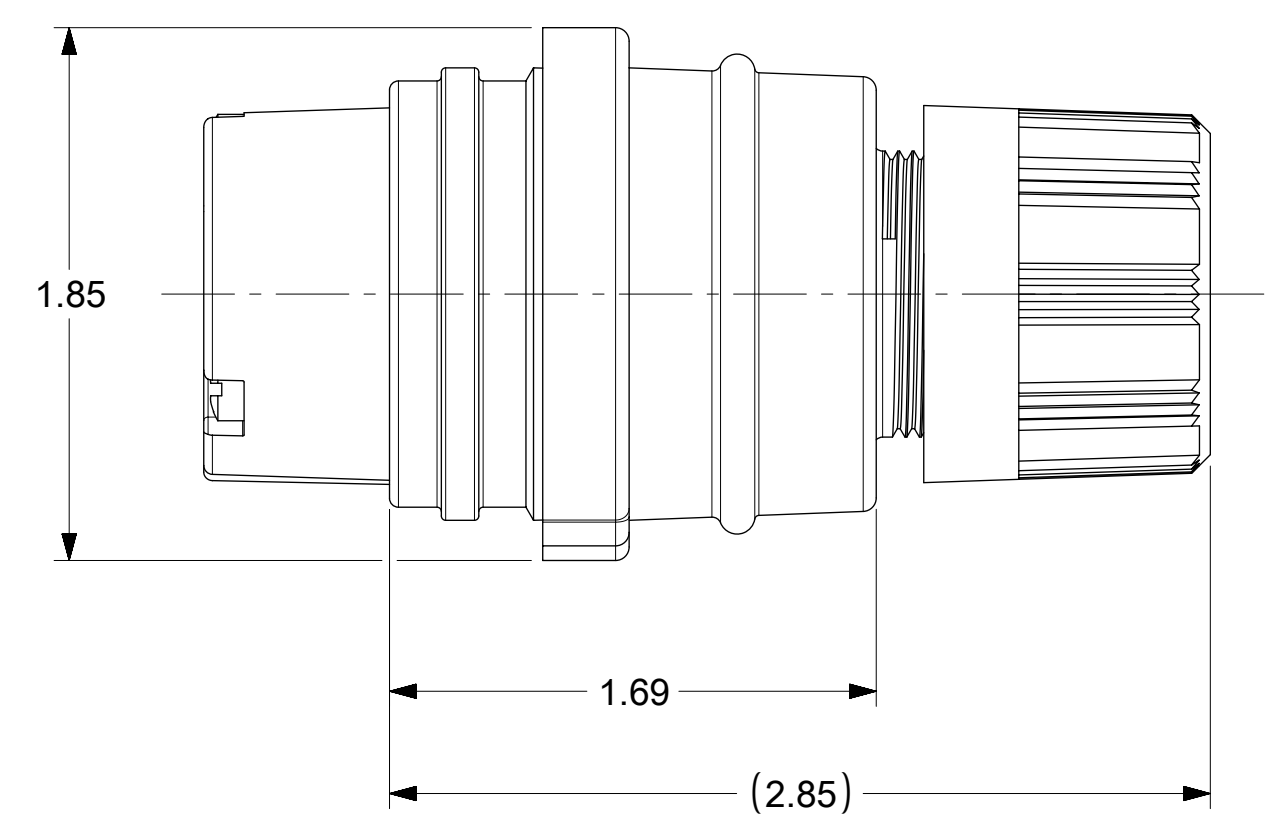


ORDER NO.	WOODHEAD NO.	COLOR
130146-0195	15W33MB-P	YELLOW



FACE VIEW



- NOTES:**
- SEE INSTRUCTION SHEET NUMBER 1301414770 FOR PRODUCT SPECIFICATION.
 - CABLE RANGE FROM 0.375" TO 0.625"

ITEM NO.	DESCRIPTIONS	MATERIAL	QTY.
1	BLADES	BRASS	3
2	RETAINING SCREWS	STAINLESS STEEL	3
3	TERMINAL SCREWS	BRASS, ZINC PLATED	3
4	INSERT	NYLON	1
5	TERMINAL COVER	POLYCARBONATE	1
6	HOUSING	RUBBER WITH NYLON THREAD	1
7	GROMMETS	RUBBER	5
8	FRICTION RING	NYLON	1
9	COMPRESSION NUT	NYLON	1

SYMBOLS		THIS DRAWING CONTAINS INFORMATION THAT IS PROPRIETARY TO MOLEX ELECTRONIC TECHNOLOGIES, LLC AND SHOULD NOT BE USED WITHOUT WRITTEN PERMISSION		CURRENT REV DESC: RELEASED	
▽ = 0	INCH	SCALE	NTS	<p>molex</p> <p>WATERTITE CONNECTOR, 5-20R</p> <p>PRODUCT CUSTOMER DRAWING</p> <p>DOCUMENT NUMBER: 1301460195 DOC TYPE: PSD DOC PART: 000 REVISION: A</p> <p>MATERIAL NUMBER: SEE TABLE CUSTOMER: GENERAL MARKET SHEET NUMBER: 1 OF 1</p>	
▽ = 0	GENERAL TOLERANCES (UNLESS SPECIFIED)		EC NO: 613681		
▽ = 0	ANGULAR TOL ± 0.5°		DRWN: ABABU01 2018/11/13		
▽ = 0	4 PLACES ±		CHK'D: DNGUYEN62 2019/03/13		
▽ = 0	3 PLACES ± 0.005		APPR: HKNEELAND 2019/03/21		
▽ = 0	2 PLACES ± 0.01		INITIAL REVISION:		
▽ = 0	1 PLACE ± 0.02		DRWN: ABABU01 2018/11/13		
⊠ = 0	0 PLACES ±		APPR: HKNEELAND 2019/03/21		
■ = 0	DRAFT WHERE APPLICABLE MUST REMAIN WITHIN DIMENSIONS		THIRD ANGLE PROJECTION	DRAWING	SERIES
▽ = 0			⊕	C-SIZE	130146