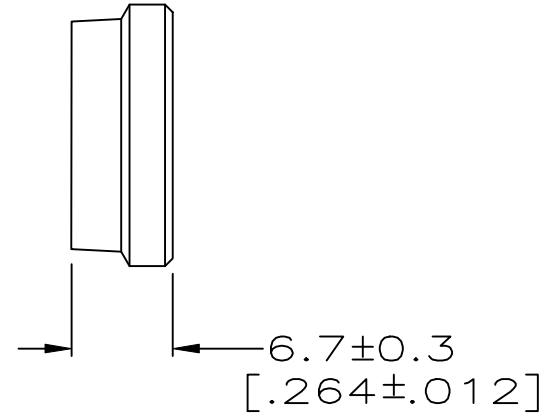
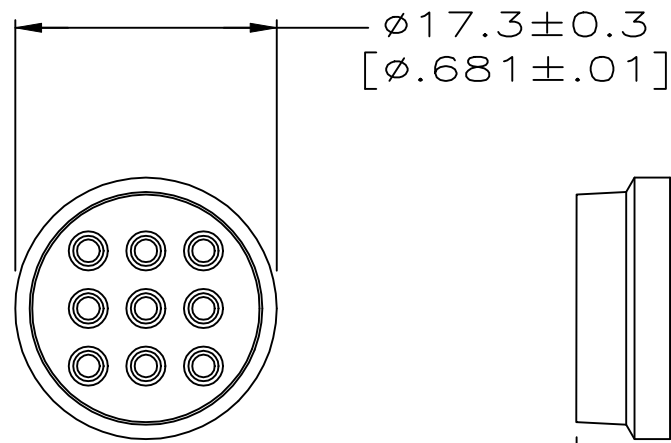
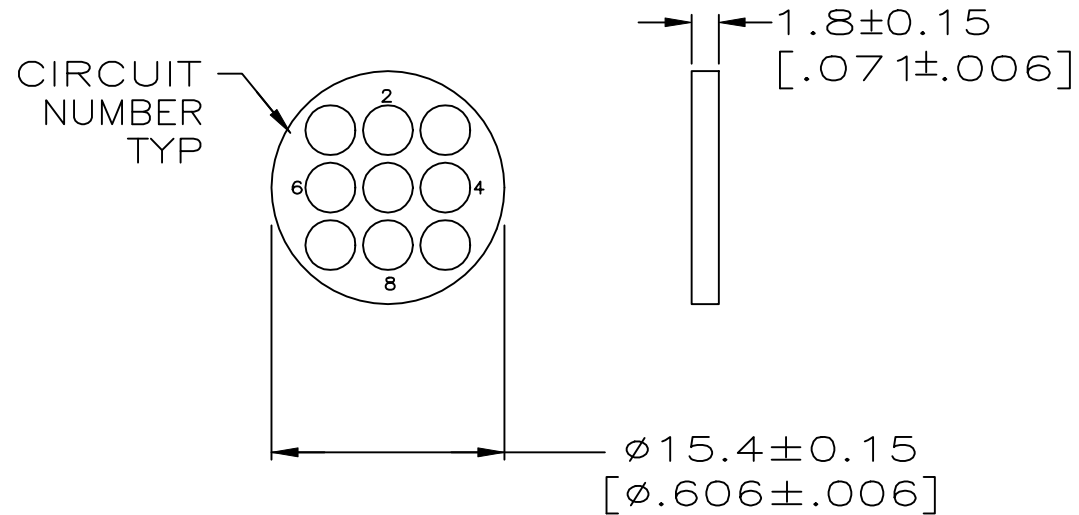


P	LTR	DESCRIPTION	DATE	DWN	APVD
A		REV PER EC 0002-187-96	23FEB96	BC	AF
B		REV PER ECR-18-000581	23JAN2018	RS	MZ



SEAL
MATERIAL: SILICON, BLACK
QTY=1


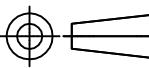


PRESSURE PLATE
MATERIAL: NYLON, BLACK
QTY=1

- INSULATION RANGE: $\phi 1.90$ [$\phi 0.075$] TO $\phi 2.54$ [$\phi 0.100$]
- FOR USE WITH PIN CONTACTS.

213926-1

PART
NUMBER

THIS DRAWING IS A CONTROLLED DOCUMENT.		DWN W.G.LENKER 09 OCT 95	 TE Connectivity Ltd.			
DIMENSIONS: mm [INCHES]		CHK R.STONE 11 OCT 95				
TOLERANCES UNLESS OTHERWISE SPECIFIED:		APVD A.FRANTUM 11 OCT 95	NAME SEAL KIT, R.H., UNASSEMBLED, SIZE 13-9, CPC			
 0 PLC ± - 1 PLC ± - 2 PLC ± - 3 PLC ± - 4 PLC ± - ANGLES ± -		PRODUCT SPEC 108-1579	RESTRICTED TO			
MATERIAL SEE CALLOUTS		FINISH -	APPLICATION SPEC -	SIZE A3	CAGE CODE 00779	DRAWING NO C=213926
CUSTOMER DRAWING			WEIGHT	SCALE 2:1	SHEET 1 OF 1	REV B