

PRODUCT DATASHEET

PART NUMBER: C6330NL

- Diplexer 10-55/90-1002 MHz
- Impedance = 75 Ohms
- DOCSIS 3.0 Compliant
- Metal Housing, Through Hole
- RoHS Compliant

Electrical Specifications @ 25°C

INSERTION LOSS : COMMON TO LOWPASS

10-55 MHz	70-90 MHz	90-165 MHz	165-770 MHz	770-1002 MHz					
1.5 dB Max	45 dB Min	55 dB Min	50 dB Min	45 dB Min					

INSERTION LOSS : COMMON TO HIGHPASS

10-55 MHz	90-1002 MHz								
55 dB Min	1.0 dB Max								

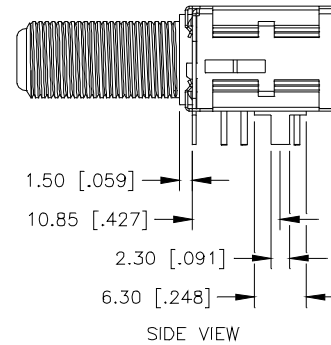
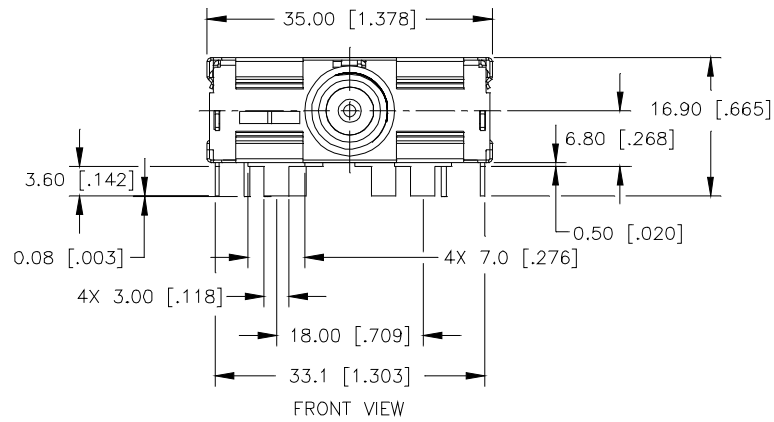
ISOLATION: HIGHPASS TO LOWPASS

10-55 MHz	70-90 MHz	90-165 MHz	165-1002 MHz						
55 dB Min	45 dB Min	55 dB Min	45 dB Min						

RETURN LOSS:

10-55 MHz	90-1002 MHz								
12 dB Min	12 dB Min								

Mechanical Specifications



DIMENSIONS	mm [INCH]
TOLERANCES	.X = ±0.3 [±.012] .XX = ±0.30 [±.012]

DESIGNATIONS	
COMMON PORT (CP)	FC
HIGHPASS	PIN 1
LOWPASS	PIN 3
GROUND (GND)	PINS 2 & 4

