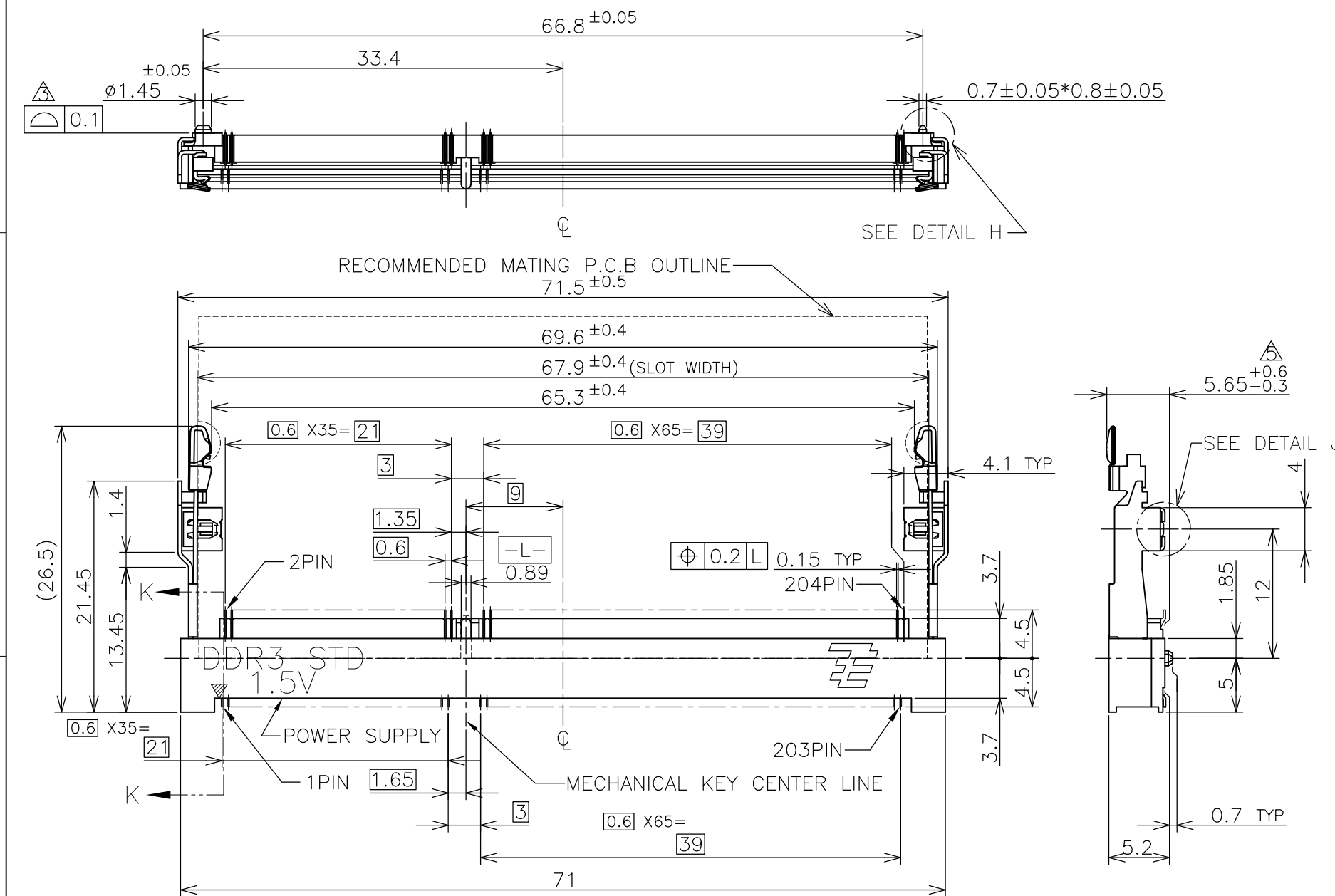


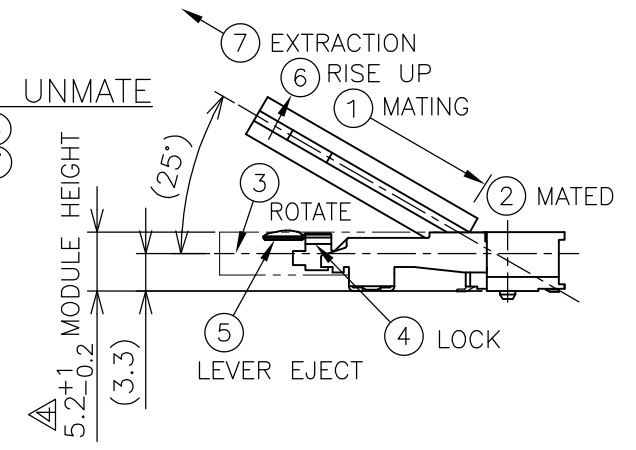
THIS DRAWING IS UNPUBLISHED. RELEASED FOR PUBLICATION SEP ,2007.  
 © COPYRIGHT 2007 By - ALL RIGHTS RESERVED.

| LOC |  | DIST |     | REVISIONS                 |           |     |      |
|-----|--|------|-----|---------------------------|-----------|-----|------|
| ES  |  | P    | LTR | DESCRIPTION               | DATE      | DWN | APVD |
|     |  |      | C   | REVISED PER ECR-12-004002 | 01MAR2012 | W.W | C.W  |



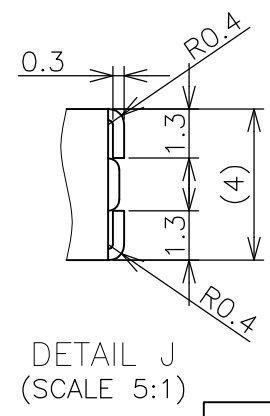
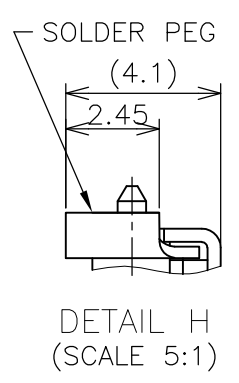
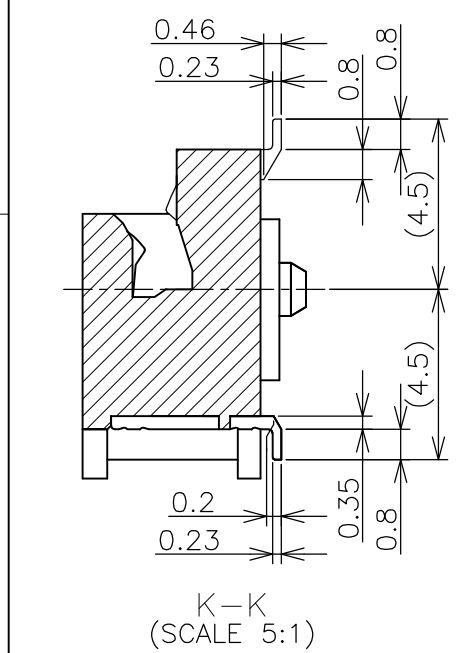
HOW TO MATE AND UNMATE

- MATE: ① → ④
- UNMATE: ⑤ → ⑦



(APPLIED TO SHEET 1-2)

- MATERIAL ; HOUSING: HIGH TEMPERATURE THERMO PLASTIC UL94V-0  
 COLOR: BLACK  
 CONTACT: COPPER ARROY  
 LOCK LEVER: STAINLESS STEEL  
 PEG: COPPER ARROY
  1. FINISH ; CONTACT AREA: GOLD FLASH  
 ALL OVER NICKEL.  
 SOLDERING AREA: GOLD FLASH PLATING  
 PEG: MATTE TIN PLATING
  2. FINISH ; CONTACT AREA: 0.000254MIN GOLD  
 ALL OVER NICKEL.  
 SOLDERING AREA: GOLD FLASH PLATING  
 PEG: MATTE TIN PLATING.
- △ COPLANARITY: 0.1 MAX. (BEFORE SOLDERING)  
 △ THE FLOATING VALUE BY SOLDERING IS NOT INCLUDED.  
 △ NOT MATING CONDITION.
6. IF THE MODULE DOESN'T INSERT AND LOCK IN THE LATCH SMOOTHLY, OPEN WIDE BOTH LATCHES BY MANUAL. AND THE MODULE MUST BE INSERTED AND LOCKED IN THE LATCH.



GENERAL TOLERANCE  
 10 ≥ : ±0.2  
 30 ≥ > 10 : ±0.25  
 100 ≥ > 30 : ±0.3  
 ANGLES : ±3°

|                |                      |          |               |          |              |     |           |
|----------------|----------------------|----------|---------------|----------|--------------|-----|-----------|
| AVAILABLE      | EMBOSS (SEE SHEET 4) | WITHBOSS | BLACK         | NOTE 2-2 | 1.5V         | 204 | 1932207-2 |
| AVAILABLE      | EMBOSS (SEE SHEET 4) | WITHBOSS | BLACK         | NOTE 2-1 | 1.5V         | 204 | 1932207-1 |
| TOOLING STATUS | PACKAGING TYPE       | REMARK   | HOUSING COLOR | FINISH   | POWER SUPPLY | POS | PART NO.  |

THIS DRAWING IS A CONTROLLED DOCUMENT.

|                  |                    |         |                            |
|------------------|--------------------|---------|----------------------------|
| DWN              | B.WONG             | 25JUN09 | <br>TE Connectivity        |
| CHK              | W.COREL            |         |                            |
| APVD             | Y.STEVEN           | 25JUN09 |                            |
| NAME             | DDR3 SODIMM SOCKET |         |                            |
| PRODUCT SPEC     | 108-78493          |         | 0.6mm PITCH 204POS         |
| APPLICATION SPEC |                    |         | 5.2mm HEIGHT STANDARD TYPE |
| WEIGHT           | 4.4g               | A300779 | C-1932207                  |
| CUSTOMER DRAWING | SCALE              | 2:1     | SHEET 1 OF 4               |

THIS DRAWING IS UNPUBLISHED.

RELEASED FOR PUBLICATION SEP , 2007.

LOC ES DIST

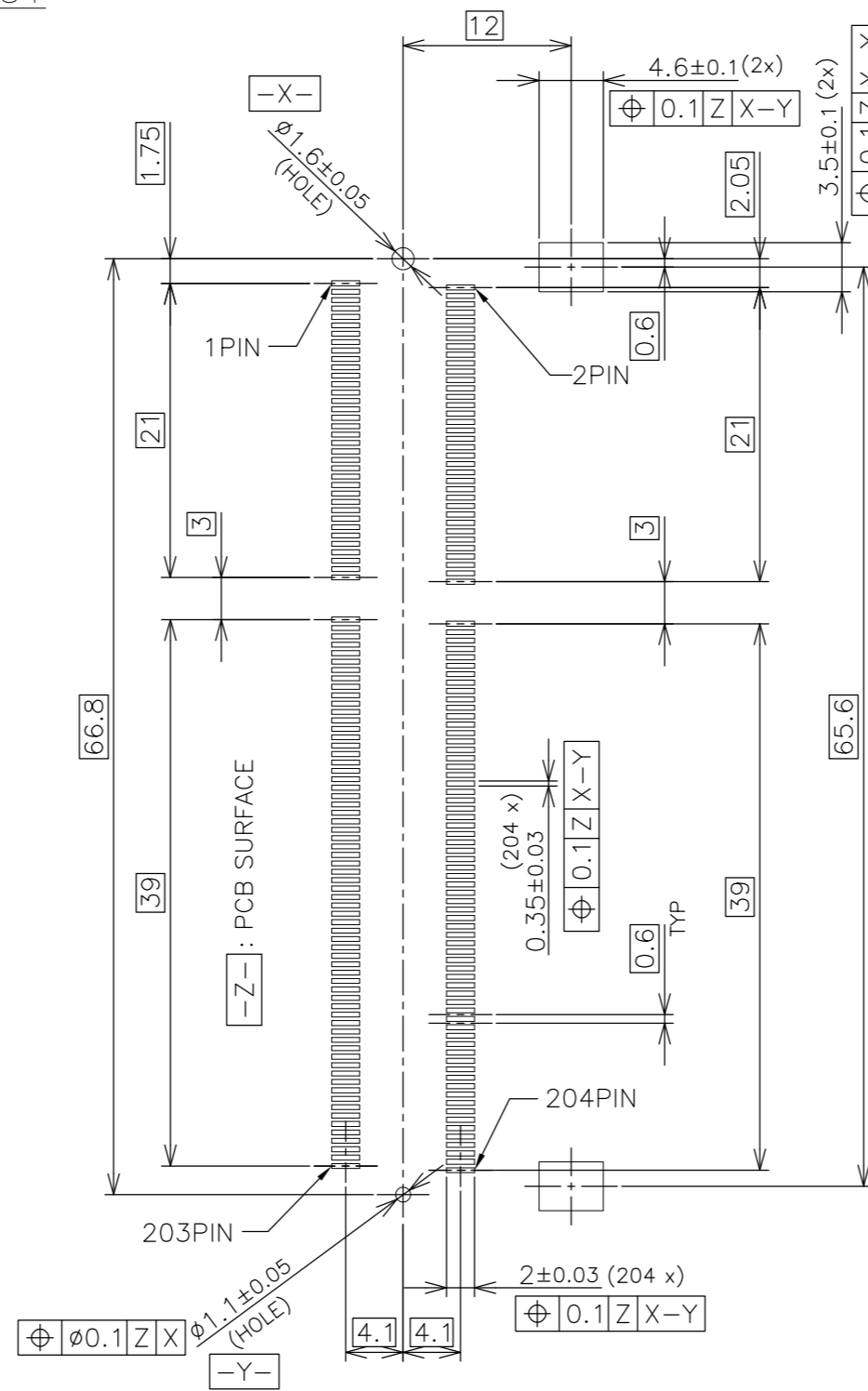
REVISIONS

© COPYRIGHT 2007 By -

ALL RIGHTS RESERVED.

| P | LTR | DESCRIPTION | DATE | DWN | APVD |
|---|-----|-------------|------|-----|------|
| - | -   | SEE SHEET 1 | -    | -   | -    |

# REFERENCE P.C.BOARD PATTERN LAYOUT (CONNECTOR MOUNTING SIDE)

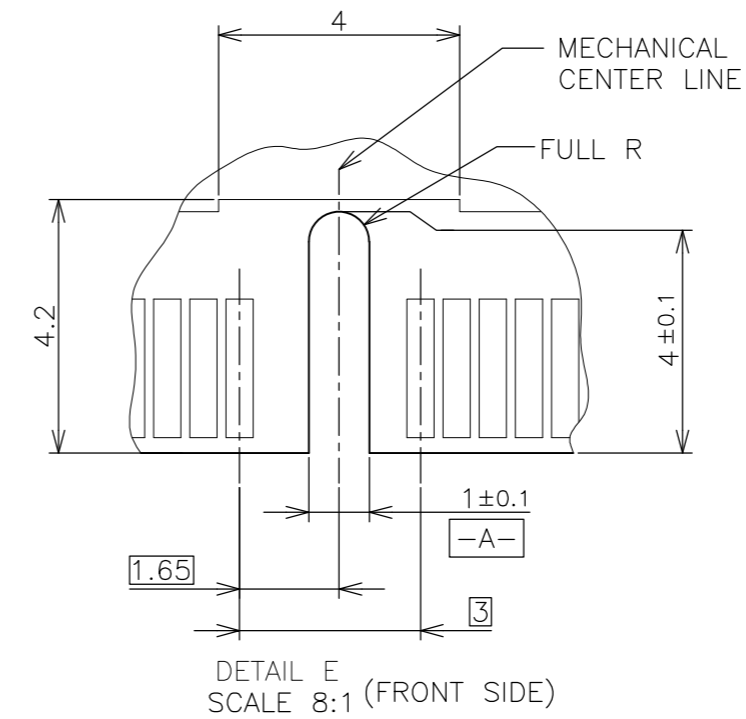
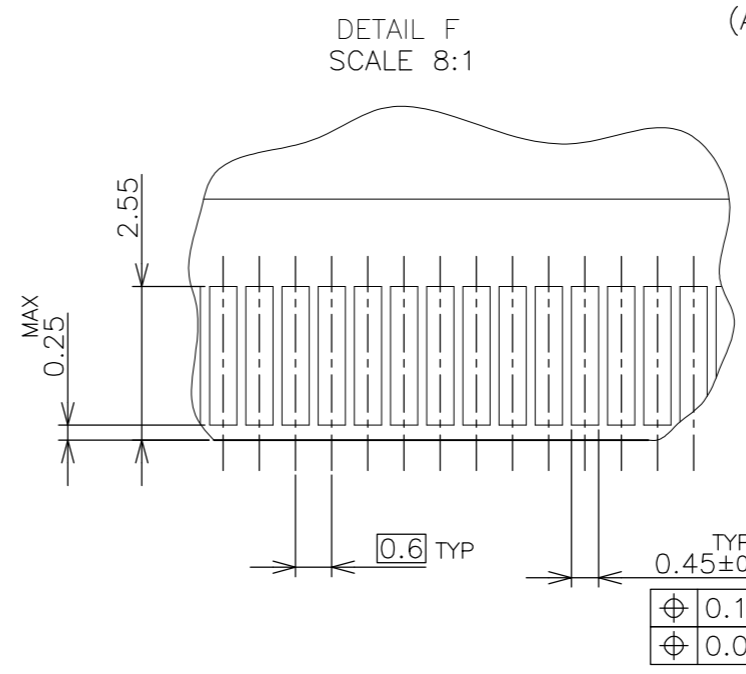
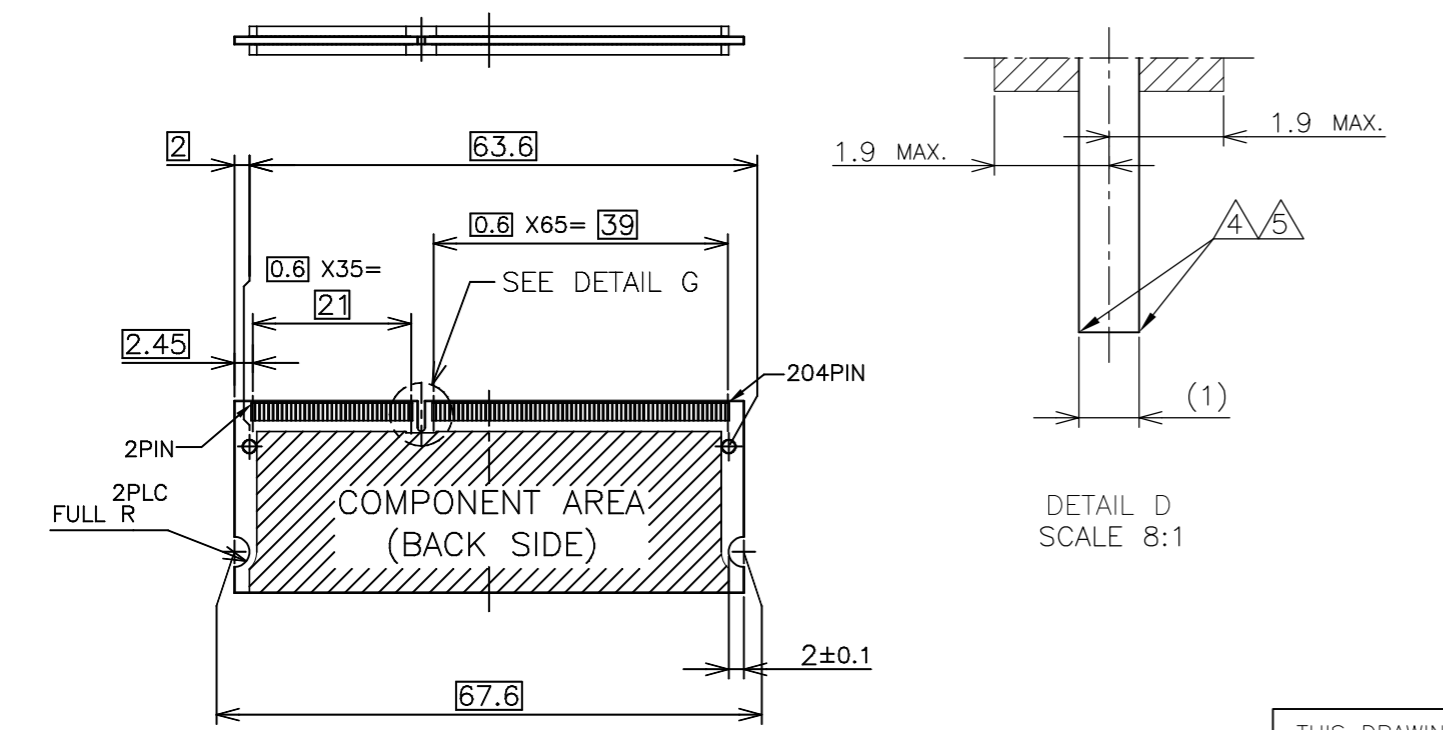
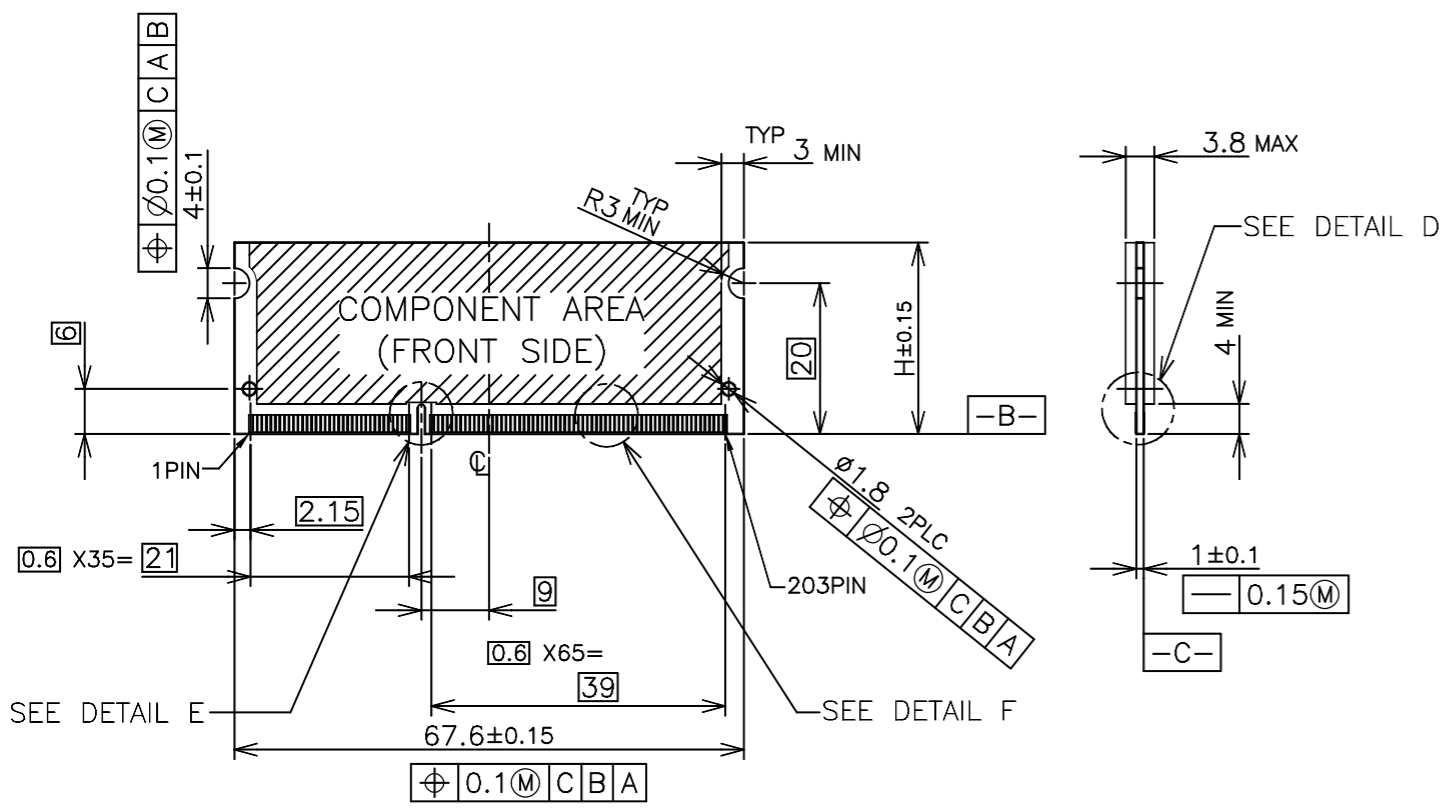


STD TYPE

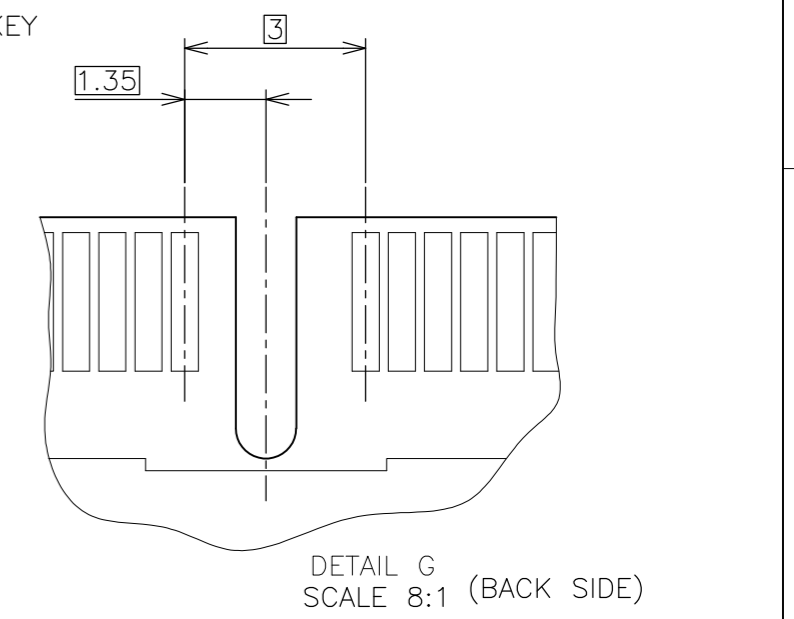
|  |  |  |  |  |  |
|--|--|--|--|--|--|
| THIS DRAWING IS A CONTROLLED DOCUMENT. |  | DWN                                    |  | TE Connectivity  |  |
| DIMENSIONS: MM                         |  | CHK                                    |  |  |  |
|  |  | TOLERANCES UNLESS OTHERWISE SPECIFIED: |  | NAME   |  |
| MATERIAL                               |  | FINISH                                 |  | DDR3 SODIMM SOCKET<br>0.6mm PITCH 204POS<br>5.2mm HEIGHT STANDARD TYPE |  |
| 0 PLC ±                                |  | 1 PLC ±                                |  | SIZE   |  |
| 2 PLC ±                                |  | 3 PLC ±                                |  | CAGE CODE  |  |
| 4 PLC ±                                |  | ANGLES ±                               |  | DRAWING NO   |  |
| WEIGHT                                 |  | CUSTOMER DRAWING                       |  | A3 00779 C-1932207   |  |
| SCALE 2:1                              |  | SHEET 2 OF 4                           |  | RESTRICTED TO  |  |
|  |  |  |  | REV C  |  |

| P | LTR | DESCRIPTION | DATE | DWN | APVD |
|---|-----|-------------|------|-----|------|
| - | -   | SEE SHEET 1 | -    | -   | -    |

# REFERENCE MATING P.C.B CONFIGURATION



- (APPLIED TO SHEET 3)
1. TOLERANCES ON ALL DIMENSIONS ±0.15 UNLESS OTHERWISE SPECIFIED.
  2. P.C. BOARD THICKNESS APPLIES ACROSS TABS AND INCLUDES PLATING AND/OR METALIZATION.
  3. FINISH OF PAD : GOLD PLATING 0.00076 MIN. OVER Ni PLATING 0.002MIN.
- NO BURR  
CHAMFER 0.25 MAX x 45° IF EXIST.



|       |                  |
|-------|------------------|
| 30    | CA               |
| 31.75 | BA               |
| 25.4  | AA               |
| H     | SDRAM VARIATIONS |

|  |  |                  |  |   |  |
|--|--|------------------|--|---|--|
| THIS DRAWING IS A CONTROLLED DOCUMENT.   |  | DWN              |  | TE Connectivity<br>NAME<br>DDR3 SODIMM SOCKET<br>0.6mm PITCH 204POS<br>5.2mm HEIGHT STANDARD TYPE |  |
| DIMENSIONS: MM   |  | CHK              |  |   |  |
| TOLERANCES UNLESS OTHERWISE SPECIFIED:   |  | APVD             |  |   |  |
| 0 PLC ±<br>1 PLC ±<br>2 PLC ±<br>3 PLC ±<br>4 PLC ±<br>ANGLES ±<br>MATERIAL FINISH |  | PRODUCT SPEC     |  |   |  |
| MATERIAL   |  | APVD             |  | APPLICATION SPEC  |  |
| WEIGHT   |  | CUSTOMER DRAWING |  | SCALE 2:1   |  |
| SIZE   |  | CAGE CODE        |  | DRAWING NO  |  |
| A3   |  | 00779            |  | C-1932207   |  |
| RESTRICTED TO  |  | SHEET            |  | REV   |  |
| -  |  | 3 OF 4           |  | C   |  |

THIS DRAWING IS UNPUBLISHED.

RELEASED FOR PUBLICATION SEP , 2007.

© COPYRIGHT 2007 By -

ALL RIGHTS RESERVED.

LOC  
ES

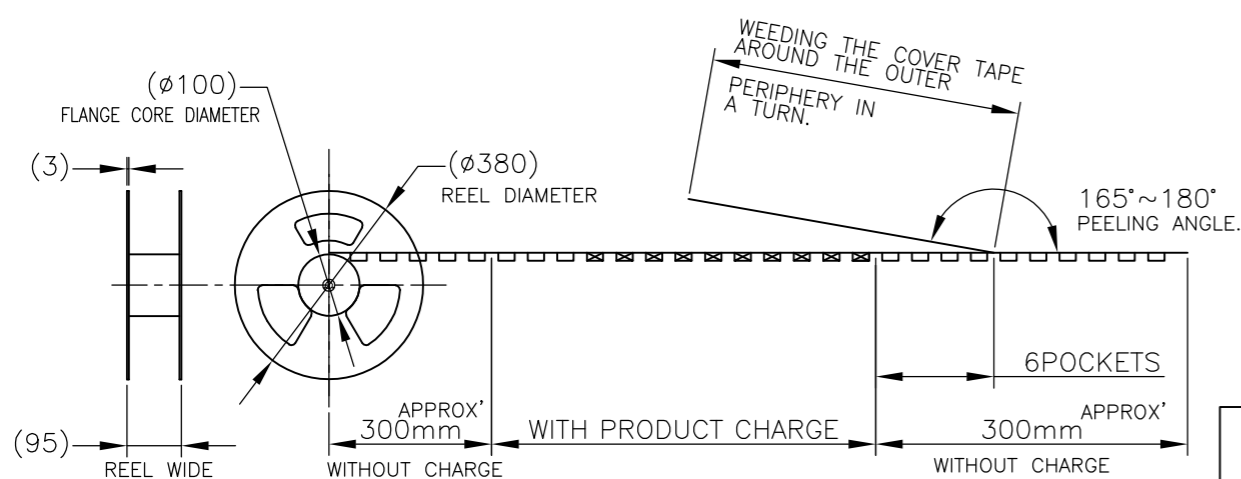
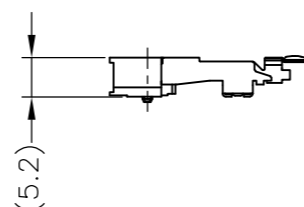
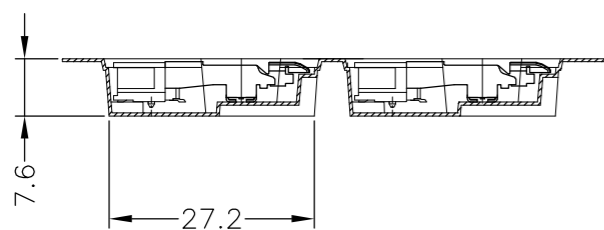
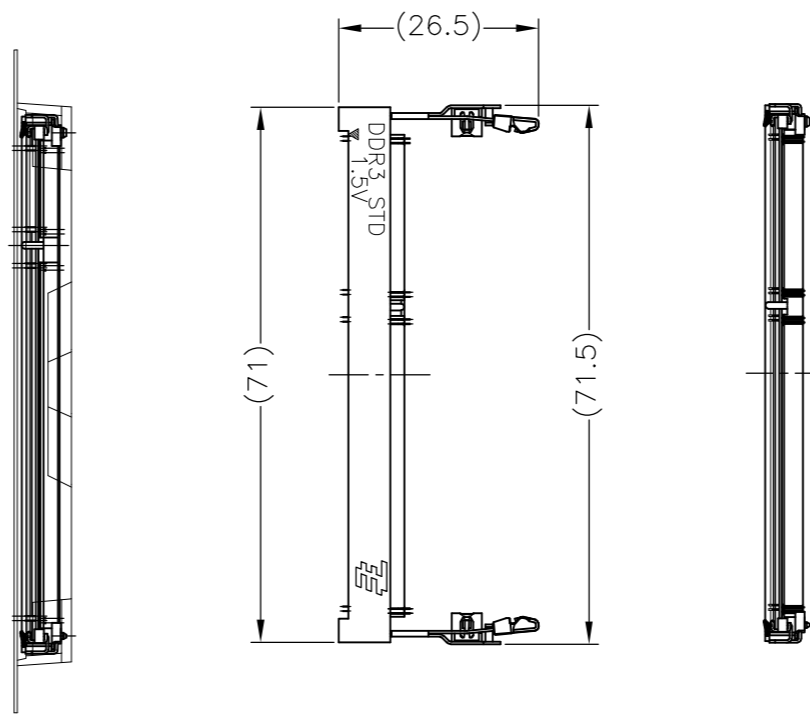
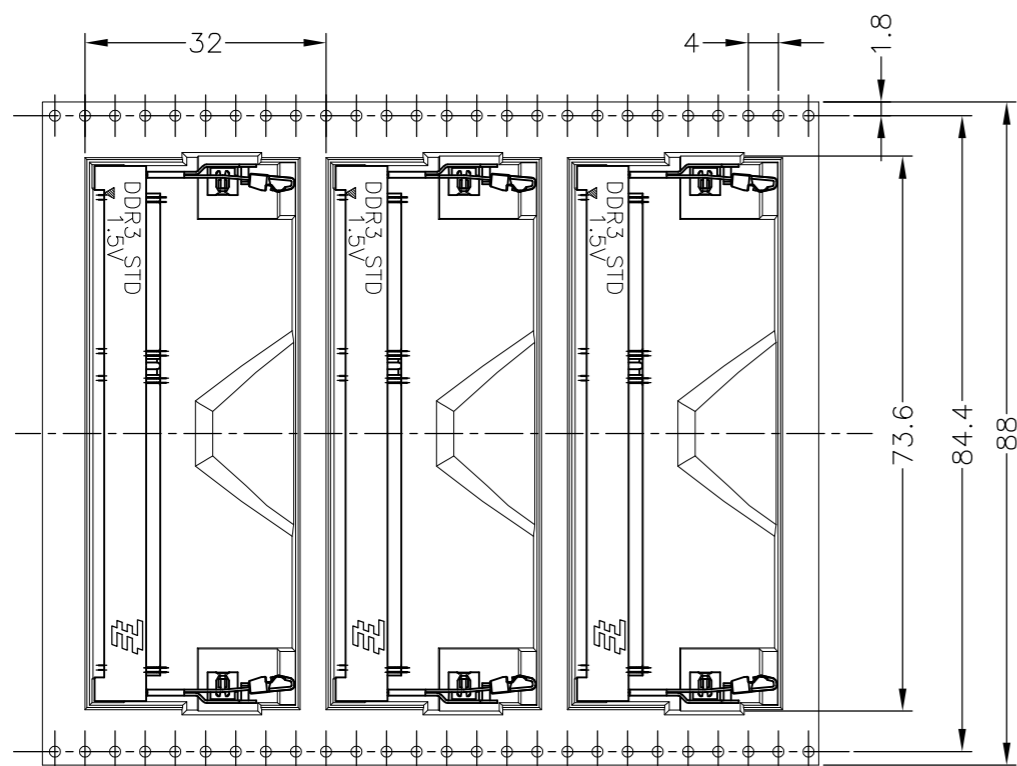
DIST  
/

REVISIONS

| P | LTR | DESCRIPTION | DATE | DWN | APVD |
|---|-----|-------------|------|-----|------|
| - | -   | SEE SHEET 1 | -    | -   | -    |

DIRECTION OFF TOP OF REEL →

- (APPLIED TO SHEET 4)
1. THE DIRECTION OF EACH CONNECTOR ON A EMBOSS IS REFERRED TO THIS DRAWING.
  2. GENERAL TOLERANCE:  $\pm 0.5$ ,  $\pm 3'$



FREE SCALE

THIS DRAWING IS A CONTROLLED DOCUMENT.

| DIMENSIONS:<br>MM | TOLERANCES UNLESS OTHERWISE SPECIFIED: |
|-------------------|--|
|                   | 0 PLC ± 0.5                            |
|                   | 1 PLC ± 0.5                            |
|                   | 2 PLC ± 0.5                            |
|                   | 3 PLC ± 0.5                            |
|                   | 4 PLC ± 0.5                            |
|                   | ANGLES ± 3'                            |

MATERIAL FINISH

|                  |
|------------------|
| DWN              |
| CHK              |
| APVD             |
| PRODUCT SPEC     |
| APPLICATION SPEC |
| WEIGHT           |

|  |           |            |               |
|--|-----------|------------|---------------|
| 300EA  |           | 1932207-2  |               |
| 300EA  |           | 1932207-1  |               |
| QTY/REEL   |           | PART NO.   |               |
| <b>STE</b> TE Connectivity   |           |            |               |
| NAME<br>DDR3 SODIMM SOCKET<br>0.6mm PITCH 204POS<br>5.2mm HEIGHT STANDARD TYPE |           |            |               |
| SIZE   | CAGE CODE | DRAWING NO | RESTRICTED TO |
| A3   | 00779     | C-1932207  | -             |

CUSTOMER DRAWING SCALE 1:2 SHEET 4 OF 4 REV C