

Ratings

Voltage: 300 V
 Temperature: -40~105 °C
 Flammability: VW-1

Conductor

Conductor count: 2
 Gauge: 22 AWG 0.33 mm²
 Material: tinned copper strands
 Strand size: ϕ 0.127 x 26
 Resistance at 20 °C: 59.4 Ω /km max

Insulator

Material: FEP
 Color: red, black
 Diameter: ϕ 1.08 \pm 0.10
 Nominal thickness: 0.13 mm
 Resistance at 20 °C: 10 M Ω /km min

Filler

Material: aramid fiber

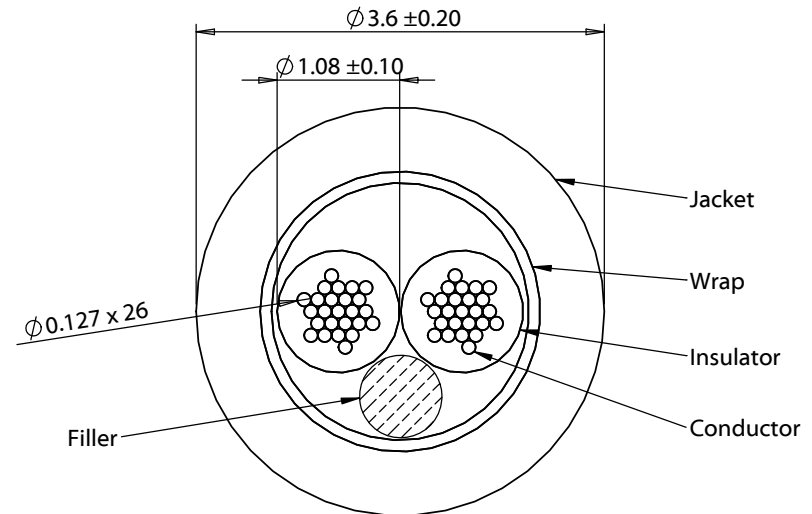
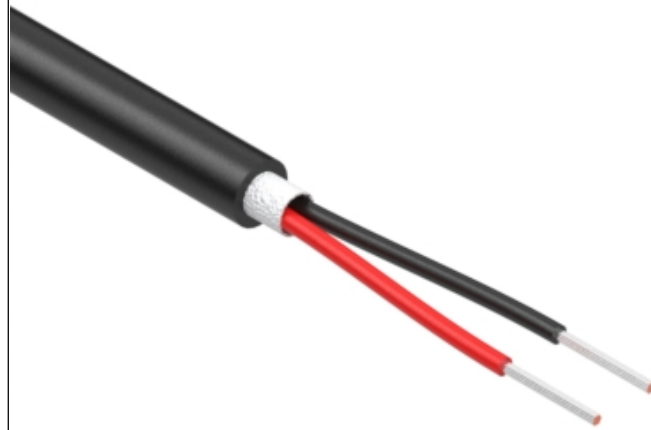
Wrap

Material: cotton paper

Outer jacket

Material: TPE
 Color: black
 Diameter: ϕ 3.6 \pm 0.20
 Nominal thickness: 0.6 mm

Wire marking: E339579 UL AWM STYLE 21296 22 AWG 105°C
 300V VW-1 --- cUL AWM I A 105°C 300V FT1 TENSILITY DGT



Revision:	Date:	Description:
A	4/28/2021	Initial release

Prepared:
AW
Digitally signed by AW
 Date: 2021.04.28
 16:27:51 -0700


Verified:
JC
Digitally signed by JC
 Date: 2021.05.04
 15:22:56 -0700

Dimensions are in millimeters.
 Tolerances:
 X: \pm 0.5 mm
 X.X: \pm 0.3 mm
 X.XX: \pm 0.05 mm

Notes:
 RoHS compliant
 Phthalate free
 Function test: no open, no short circuit, no intermittent

Description:
 Wire, 2C TS, 22 AWG, UL 21296, 300V, 105C, 3.6 mm, TPE

TENSILITY
 tel 1.541.323.3228 800 877.670.7118
 fax 1.541.323.4202 web tensility.com

Size: A Part number: 30-01902
 Scale: 15:1  Sheet 1 of 1