

10 9 8 7 6 5 4 3 2 1

F

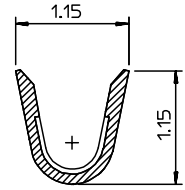
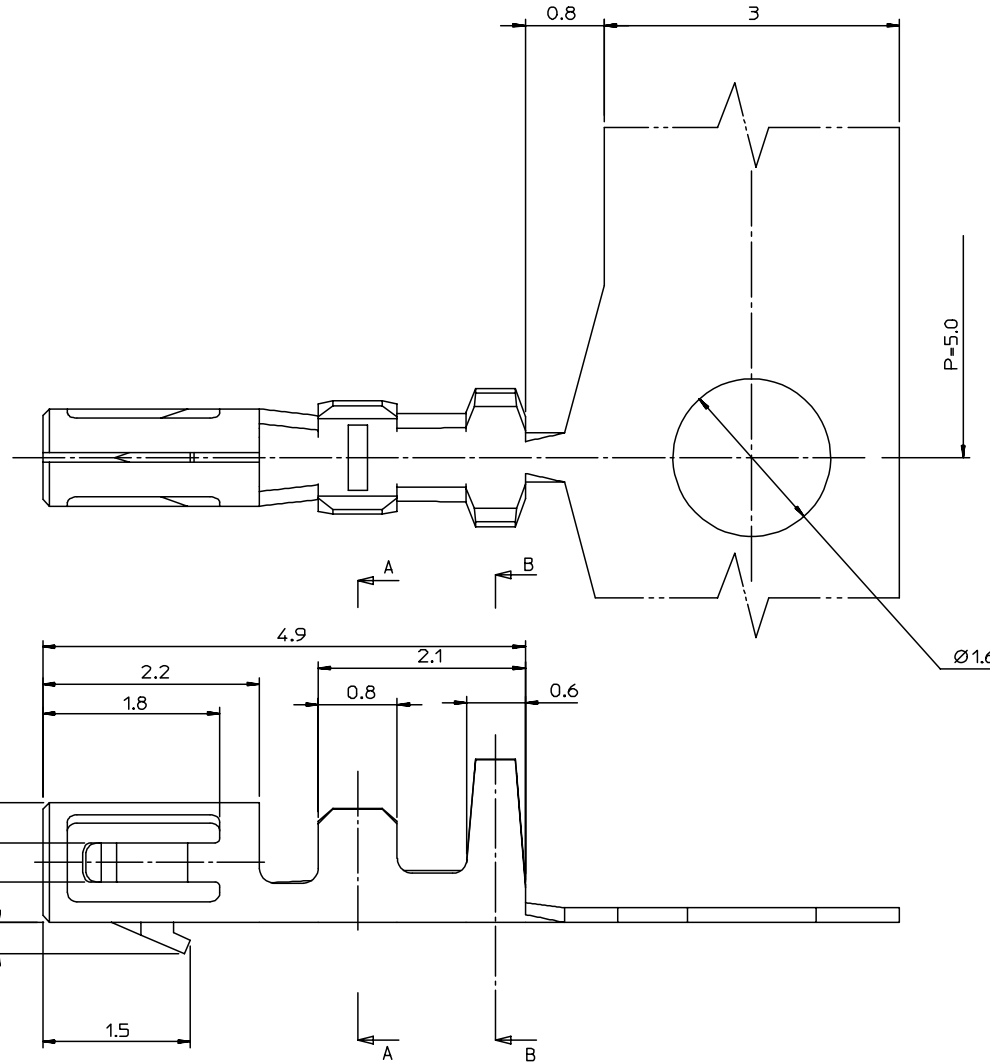
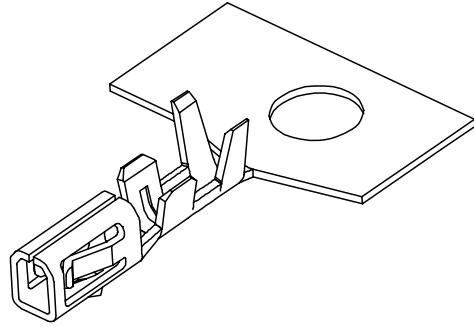
E

D

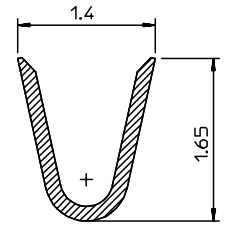
C

B

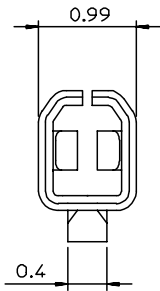
A



SECTION A-A



SECTION B-B



NOTES

1. MATERIALS: C5210-H, 0.15mmTHICK' PRE TIN PLATED
2. APPLICABLE HOUSING : 49560-0800

<p>NEW RELEASED EC NO: K0R2008-0024 DRWN: CCHIN 2007/08/09 CHKD: CCHIN 2007/08/09 APPR: YUNSIKKIM 2007/08/13</p>	QUALITY SYMBOLS	GENERAL TOLERANCES (UNLESS SPECIFIED)		DIMENSION STYLE	SCALE	DESIGN UNITS	THIRD ANGLE PROJECTION		
	<p>▽=0 ∇=0</p>	mm	INCH	MM ONLY	---	METRIC			
		4 PLACES ± ---	± ---	DRAWN BY	DATE	TITLE			
		3 PLACES ± ---	± ---	WY.YANG	07/01/22	1.27 W-T-B CONN 1.27 W/B TERMINAL			
	2 PLACES ± 0.2	± ---	CHECKED BY	DATE	MATERIAL NO.				
	1 PLACE ± 0.2	± ---	WY.YANG	07/01/22	499468001				
		ANGULAR ± 1°	APPROVED BY	DATE	DOCUMENT NO.				
					SD-49946-001				
			DRAFT WHERE APPLICABLE MUST REMAIN WITHIN DIMENSIONS		MOLEX INCORPORATED		SHEET NO.		
					SD-49946-001		1 OF 1		
			THIS DRAWING CONTAINS INFORMATION THAT IS PROPRIETARY TO MOLEX INCORPORATED AND SHOULD NOT BE USED WITHOUT WRITTEN PERMISSION						

9 8 7 6 5 4 3 2 1