



AUDIO  
TECHNOLOGIES®

## XLR CHASSIS CONNECTORS

### 5 PIN JLX SERIES

Locking 5 pin connectors with rugged metal shells for audio and lighting control. Designed for high RF environments.



IO-XLR5-M-JLX

IO-XLR5-F-JLX

## SPECIFICATIONS

### PRODUCT

Gender: **Male (IO-XLR5-M-JLX)**

**Female (IO-XLR5-F-JLX)**

Contacts: **5**

### ELECTRICAL

Capacitance Between Contacts: **≤ 2.6 pF**

Capacitance Between Contact and Ground: **≤ 2.8 pF**

Contact Resistance: **< 7 mΩ**

Insulation Resistance: **≥ 5000 MΩ**

Dielectric Strength: **1500V @ 60s**

Current Rating: **7.5A / 125V AC**

Grounding: **Separate ground terminal. Grounds to mating connector shell and panel**

### ENVIRONMENTAL

Standard Compliance: **IEC 61076-2-103**

UL Flammability: **UL94V-0**

Temperature Range: **-40°C ~ +70° C (-40°F ~ +158°F)**

### MECHANICAL

Lifetime: **> 1000 Mating Cycles**

Wiresize: **1.0mm Max O.D.**

Wiring: **Solder Contacts**

Locking Device: **Latch Lock**

Mounting Direction: **Front**

Solderability: **Complies with IEC 60068-2-20**

### MATERIAL

Pins: **Brass (Male)**

**Phosphor Bronze (Female)**

Pin Plating: **Silver**

Grounding Terminal: **Tin Plated Brass**

Shell: **Nickel Plated Zinc Alloy**

Push Button: **Nickel Plated Stainless Steel**

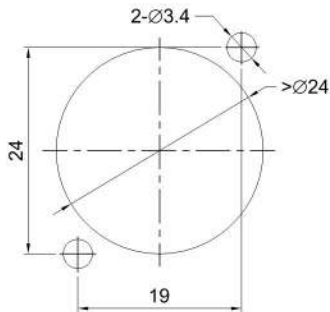
Latch: **Carbon Steel**

Product specifications may change without prior notification

Io Audio Technologies® is a registered trademark of Knight Electronics, Inc.  
10557 Metric Dr. Dallas, TX 75243 | 214-340-0265 | 800-323-2439 | Fax: 214-340-5870 |  
www.ioaudiotechnologies.com



## Panel Cutout



## FEATURES & APPLICATIONS

JLX Series XLR chassis connectors offer a sleek and robust connection in a standard "J" Size shell. This series is perfect for permanent installations or design-in applications where the termination method is solder cups. The connectors feature "metal on metal" housing which provides improved RF and EMI protection, making these connectors perfect for use in high noise environments or where cell phone or radio frequencies are most offensive. They have precision machined, one piece, silver plated contacts and a separate tin plated ground pin which grounds to the connector housing and panel. Available in 3 or 5 pin variations. The JLX Series XLR chassis connectors help prevent local RF interference from assisted listening, WiFi, and other radio transmitters close to the connectors. When coupled with quality shielded cables, a robust system for preventing the intrusion of unwanted noises is created.

### PART NUMBER BREAKDOWN:

IO-**XLR**5-M-JLX  
Series Identifier  
IO-XLR**5**-M-JLX  
Number of Pins  
IO-XLR5-**M**-JLX  
Gender  
IO-XLR5-M-**JLX**  
Series Identifier

### STANDARDS & CLASSIFICATIONS



Product specifications may change without prior notification