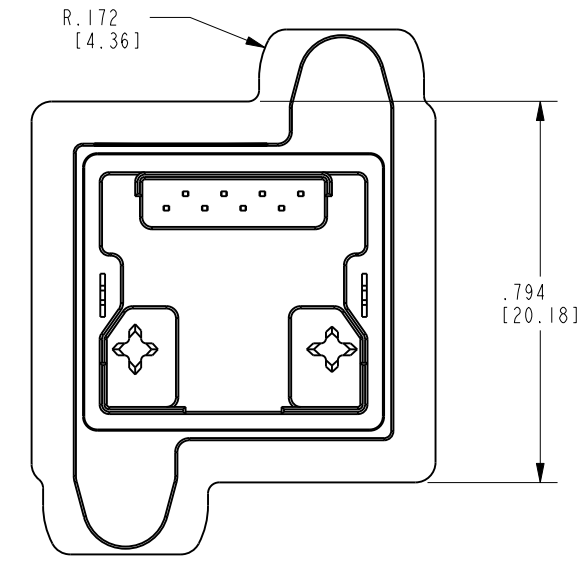
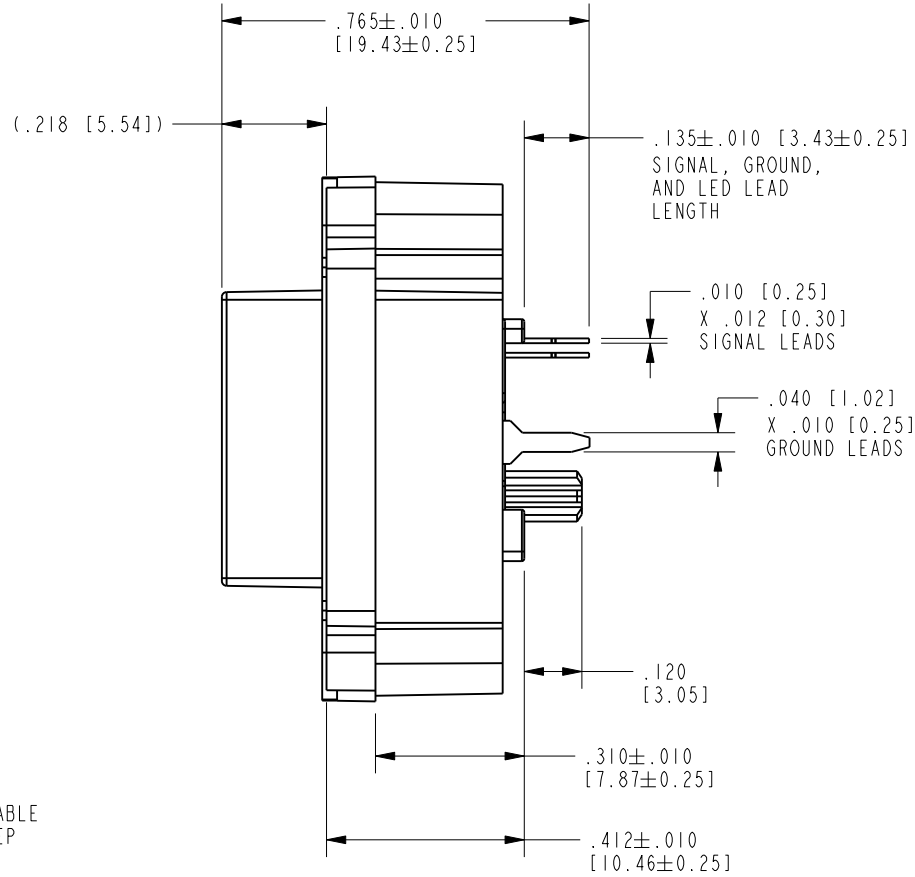
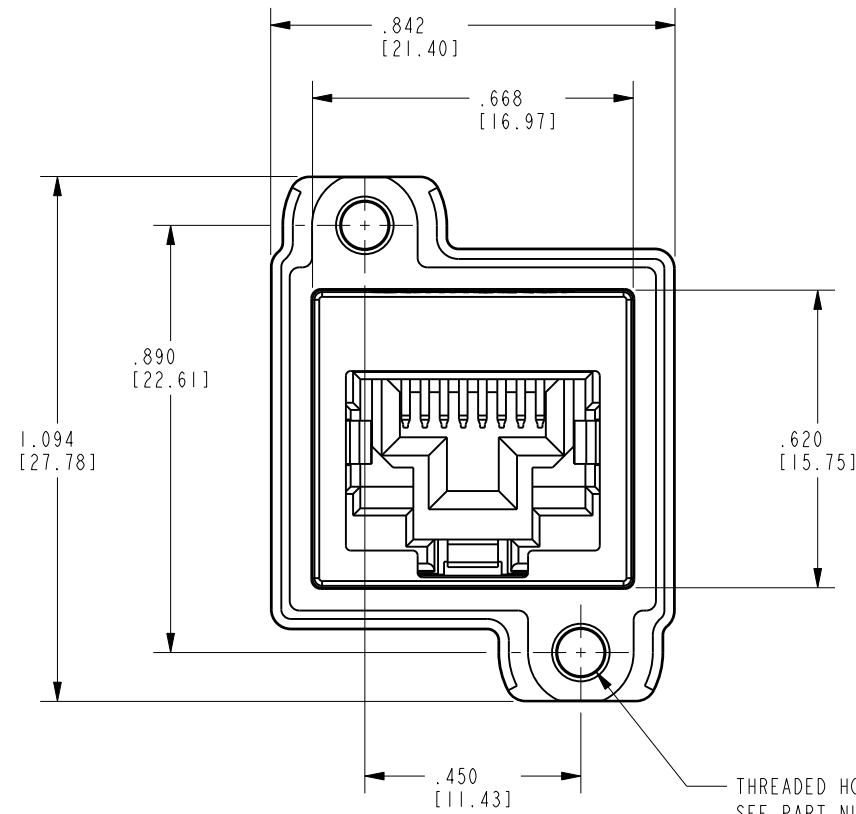
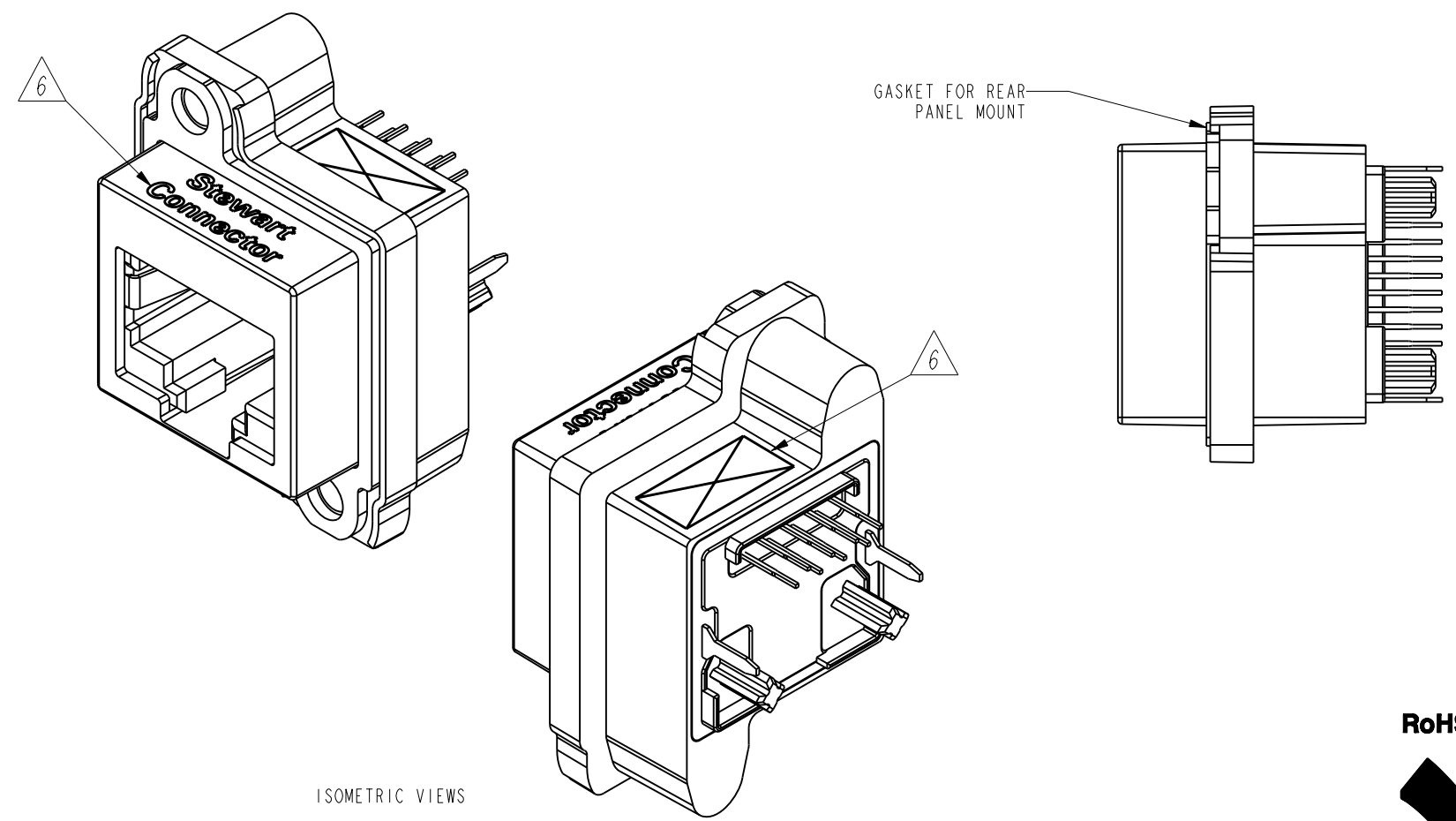


DATE	REV.	ECN	APP'D BY
2-13-19	X0	-	GWL
4-17-19	A0	-	ADB



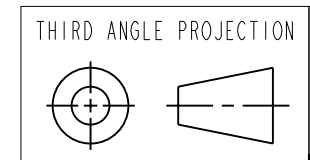
THREADED HOLES
SEE PART NUMBER TABLE
0.22 [5.6] MIN DEEP
2 PLACES

- NOTES:
- CONNECTOR MATERIALS:
HOUSING/INSERT: THERMOPLASTIC UL94 V-0
SHIELD: ZINC DIE-CAST ALLOY
SHIELD PLATING: TIN OVER COPPER
CONTACTS: COPPER ALLOY
CONTACT PLATING: SEE TABLE BELOW
GASKET: SILICONE RUBBER
SILICONE SEALING COMPOUND IN REAR OF JACK
 - PRODUCT INTENDED FOR CATEGORY 6 APPLICATIONS.
 - DIMENSIONS AND TOLERANCES COMPLY WITH TIA-1096 STANDARD.
 - REFERENCE PRODUCT SPECIFICATION PR042-01.
 - ENVIRONMENTAL PERFORMANCE PER IEC 60529 CODE IP67, FOR CONNECTOR AND PANEL INTERFACE. REFER TO INSTRUCTION SHEET MN600001 FOR INSTALLATION GUIDELINES.
- 6 PRODUCT MARKED WITH COMPANY LOGO, PART NUMBER, AND MANUFACTURING DATE / LOCATION IN AREAS AS SHOWN.



ISOMETRIC VIEWS

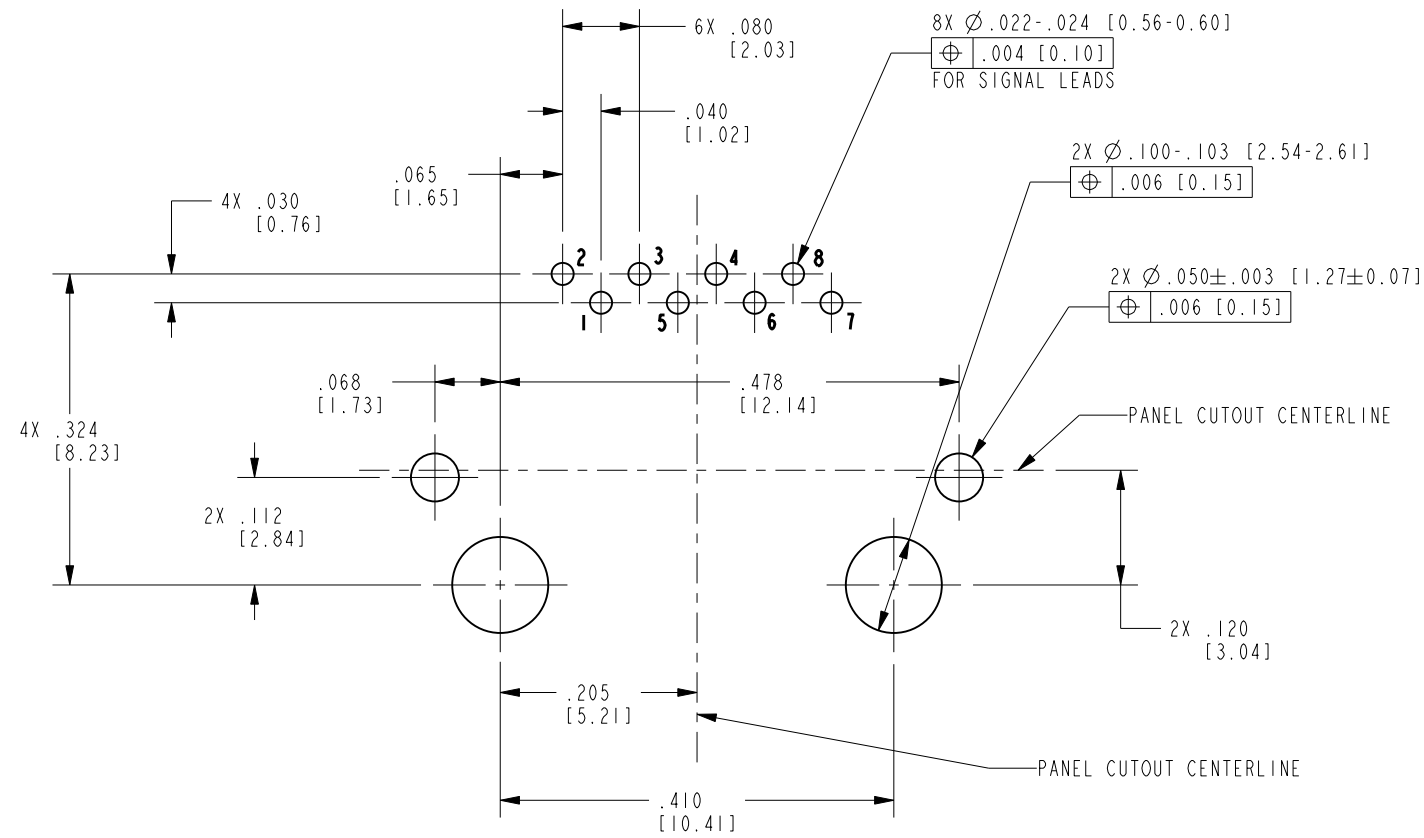
50 MICRO-INCHES [1.27um]	M3 X 0.5	SS-60400-006
50 MICRO-INCHES [1.27um]	#4-40 UNC	SS-60400-005
CONTACT PLATING IN MATING AREA	THREAD TYPE	PART NUMBER



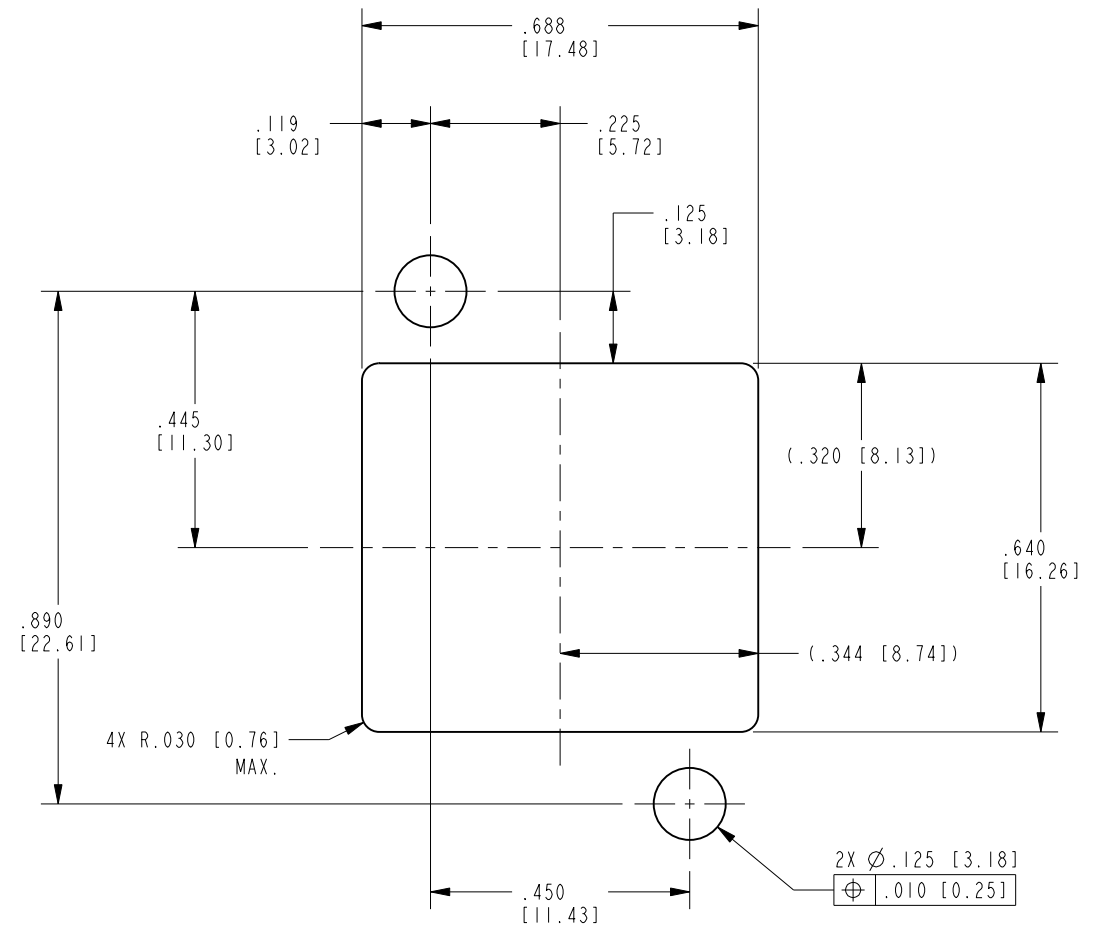
11118 Susquehanna Trail South
Glen Rock, PA 17327-9199
(717) 235-7512
<http://www.stewartconnector.com>

DO NOT SCALE DRAWING DRAWING IS SUBJECT TO CHANGE WITHOUT NOTICE	TITLE: VERTICAL CAT 6 SEALJACK, WITH REAR PANEL THREADED MOUNTING	DRN BY: ADB	DATE: 2-13-19
DIMENSIONS: INCHES [METRIC]	THIS DRAWING AND THE SUBJECT MATTER SHOWN THEREON ARE CONFIDENTIAL AND THE PROPRIETARY PROPERTY OF STEWART CONNECTOR AND SHALL NOT BE REPRODUCED, COPIED, OR USED IN ANY MANNER WITHOUT PRIOR WRITTEN CONSENT OF STEWART CONNECTOR. ONE OR MORE U.S. PATENTS MAY APPLY TO THIS PRODUCT. FOR DETAILS, PLEASE VISIT: HTTP://BELFUSE.COM/STEWART/STEWART_PATENTS/	APPD BY: GWL	DATE: 2-13-19
UNLESS OTHERWISE SPECIFIED TOLERANCES ARE ±.005 [0.13] ANGLES ARE ±1°		SHEET NO. 1 OF 2	DWG. NO. CT600235

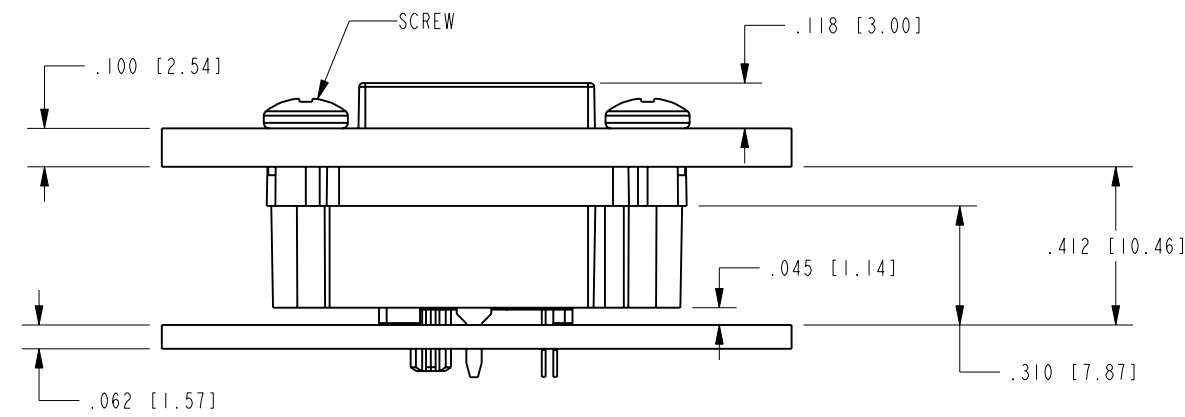




RECOMMENDED P.C.B. LAYOUT
(COMPONENT SIDE OF BOARD)
SCALE 5.000
ALL CENTERLINE DIMENSIONS ARE BASIC



RECOMMENDED PANEL CUTOUT
(FRONT OF PANEL)
SCALE 3.000
ALL CENTERLINE DIMENSIONS ARE BASIC



SIDE VIEW - SHOWN WITH .100" PANEL AND .062" BOARD FOR REFERENCE ONLY
TYPICAL FASTENERS SHOWN (#4-40X5/16" OR M3X0.5X8MM LONG PAN HEAD SCREW)
SCALE 2.000
(SHOWN WITH GASKET IN FULLY COMPRESSED STATE)

NOTES:

- IF MOUNTING MULTIPLE CONNECTORS SIDE-BY-SIDE, THE SUGGESTED SPACING (PITCH) IS AT LEAST .87 INCHES [22 mm]. CONNECTORS CAN BE NESTED VERTICALLY ON THE SAME CENTERLINE AXIS, WHICH REQUIRES A VERTICAL PITCH OF .98 INCHES [25 mm]. THIS PITCH MAY NEED INCREASED DEPENDING ON THE FASTENERS USED FOR MOUNTING.

THIRD ANGLE PROJECTION	
DO NOT SCALE DRAWING DRAWING IS SUBJECT TO CHANGE WITHOUT NOTICE	
DIMENSIONS: INCHES [METRIC]	UNLESS OTHERWISE SPECIFIED TOLERANCES ARE ±.005 [0.13] ANGLES ARE ±1°
SHEET NO. 2 OF 2	

	11118 Susquehanna Trail South Glen Rock, PA 17327-9199 (717) 235-7512 http://www.stewartconnector.com	
	TITLE: VERTICAL CAT 6 SEALJACK, WITH REAR PANEL THREADED MOUNTING	
DRN BY: ADB	DATE: 2-13-19	
APPD BY: GWL	DATE: 2-13-19	
DWG. NO. CT600235	REV. A0	

