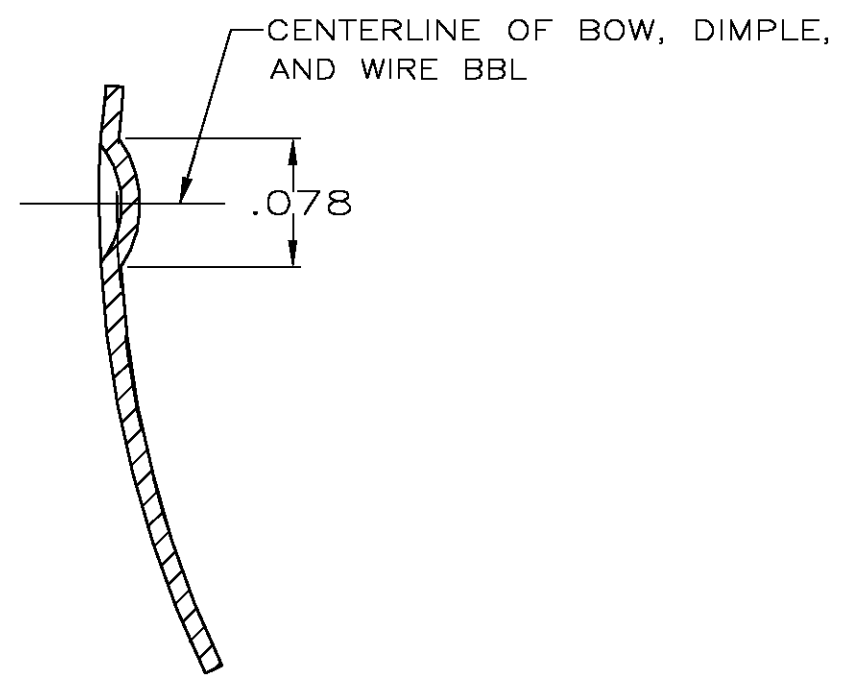
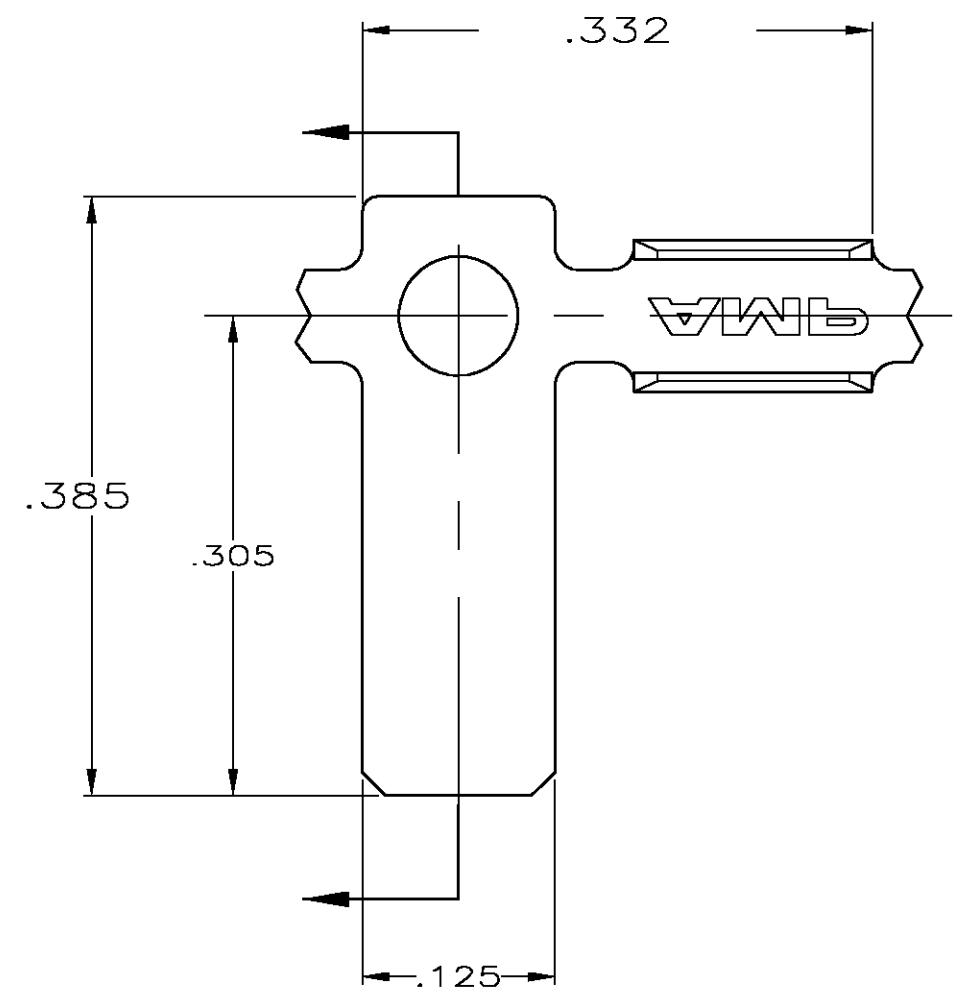
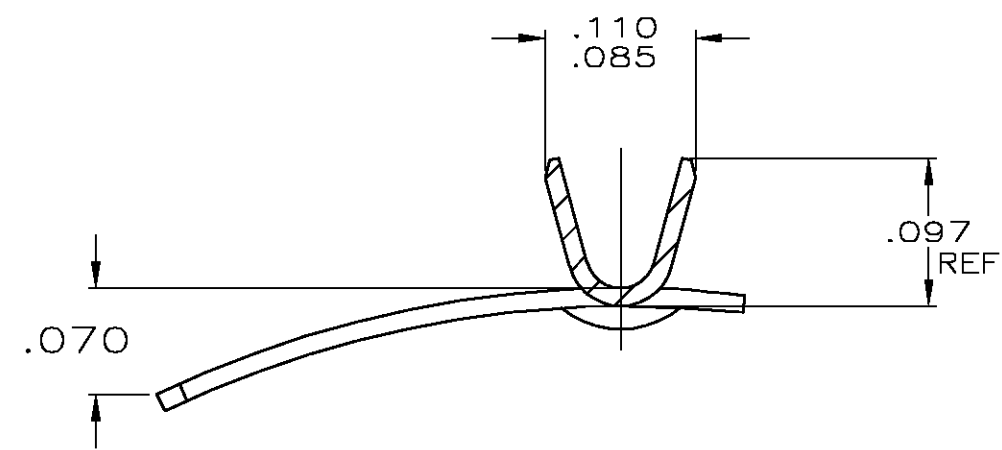
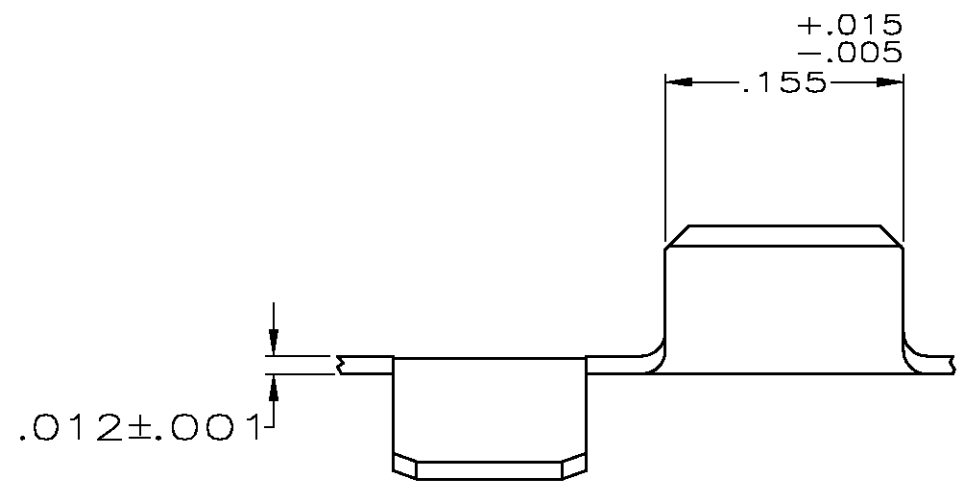


THIS DRAWING IS UNPUBLISHED. RELEASED FOR PUBLICATION  
 © COPYRIGHT - BY TYCO ELECTRONICS CORPORATION. ALL RIGHTS RESERVED.

LOC	DIST	REVISIONS			
P	LTR	DESCRIPTION	DATE	DWN	APVD
AF	50	F	REVISED PER 0G3A-0173-04	16MAR04	MF GP



- 1 CONTINUOUS STRIP ON REELS.
- 2 WIRE SIZE IS #20-#18 AWG



REVERSE REELING	1217698-2
-	1217698-1
REELING	PART NO.

THIS DRAWING IS A CONTROLLED DOCUMENT.		DWN	JR RUTH	15AUG01	Tyco Electronics Corporation Harrisburg, Pa 17105-3608
DIMENSIONS: INCHES		CHK	G PORTA	20AUG01	
		APVD	G PORTA	20AUG01	
TOLERANCES UNLESS OTHERWISE SPECIFIED:		PRODUCT SPEC		NAME	
0 PLC ± - 1 PLC ± - 2 PLC ± - 3 PLC ± .010 4 PLC ± - ANGLES ± -		APPLICATION SPEC		SIZE	A3
MATERIAL		WEIGHT		CAGE CODE	00779
H04 PHOS BRONZE		-		DRAWING NO	C-1217698
FINISH		-		RESTRICTED TO	-
CUSTOMER DRAWING				SCALE	8:1
				SHEET	1 OF 1
				REV	F